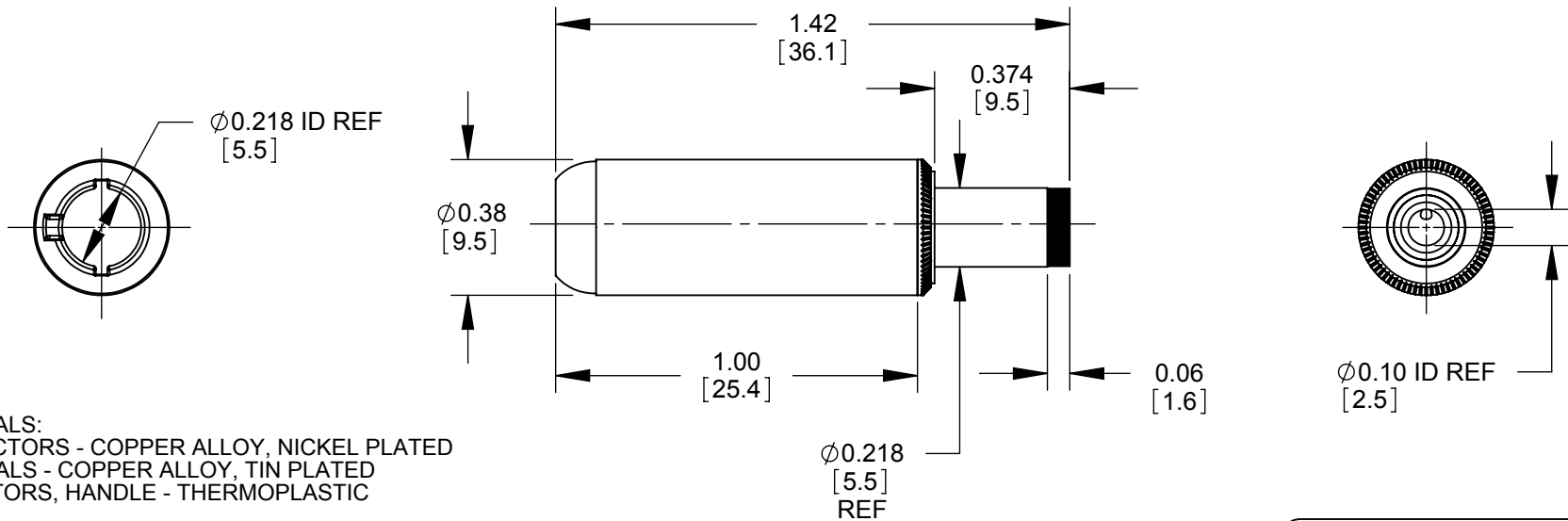
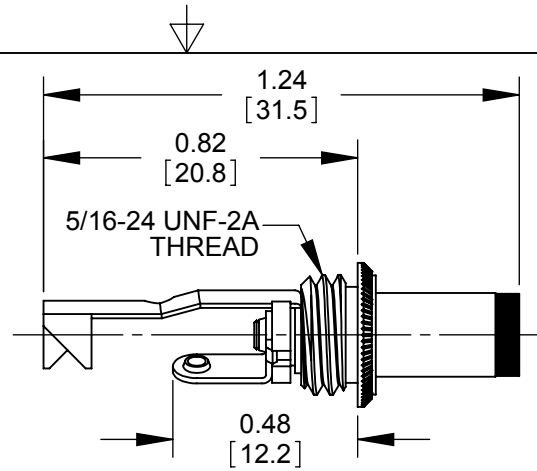
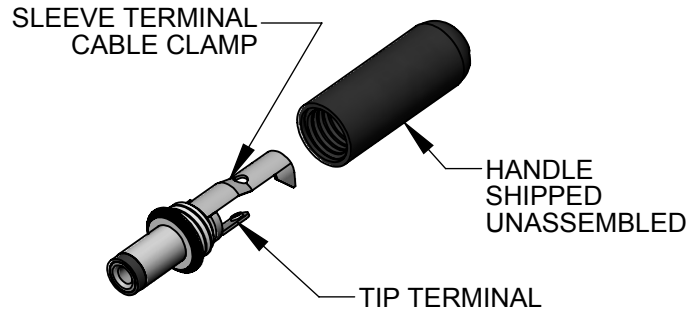


| PART NUMBER | HANDLE COLOR |
|-------------|--------------|
| 760H | BLACK |
| 765H | RED |



NOTES:

1. MATERIALS:
 CONDUCTORS - COPPER ALLOY, NICKEL PLATED
 TERMINALS - COPPER ALLOY, TIN PLATED
 INSULATORS, HANDLE - THERMOPLASTIC
2. THIS PRODUCT IS RoHS COMPLIANT.

PRELIMINARY

CUSTOMER DRAWING

| | | | | | | | | | |
|-----------|------------|---------|-----|------|--|-------|-------|--------------|---------------------|
| | | | | | THIS DRAWING DESCRIBES A DESIGN CONSIDERED PROPRIETARY IN NATURE, DEVELOPED AND MANUFACTURED BY SWITCHCRAFT INC. AND IS RELEASED ON A CONFIDENTIAL BASIS FOR IDENTIFICATION PURPOSES ONLY. | | | | |
| | | | | | SIZE | WIDTH | MULT | LBS/M | TEMPER |
| | | | | | FINISH | | | MATERIAL | |
| | | | | | SPEC No. | | | SPEC No. | |
| | | | | | FIRST USED ON | | SCALE | | |
| | | | | | | | 2:1 | | |
| 0A | PDR 15004 | 6-27-16 | PNK | SRC | DATE DRAWN | BY | CHKD | APVD | Switchcraft® |
| | | | | | 6-27-16 | PNK | PNK | SRC | |
| | | | | | | | | SHEET 1 OF 1 | |
| REV | ECO NUMBER | DATE | BY | APVD | NAME | | | PART No. | REV |
| REVISIONS | | | | | DO NOT SCALE DRAWING | | | 760H-765H | 0A |
| | | | | | NAME | | | PART No. | |
| | | | | | Ø 0.10 [2.5]mm x 0.374 LONG HT POWER PLUG, RoHS | | | 760H-765H | |

SolidWorks CAD File

