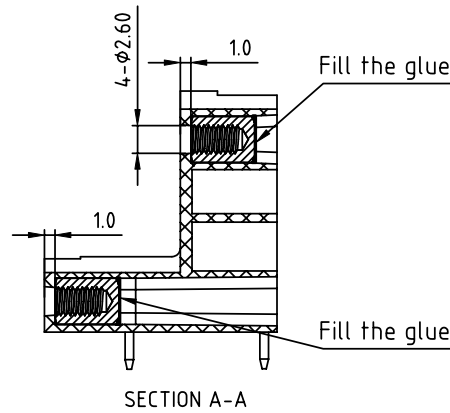
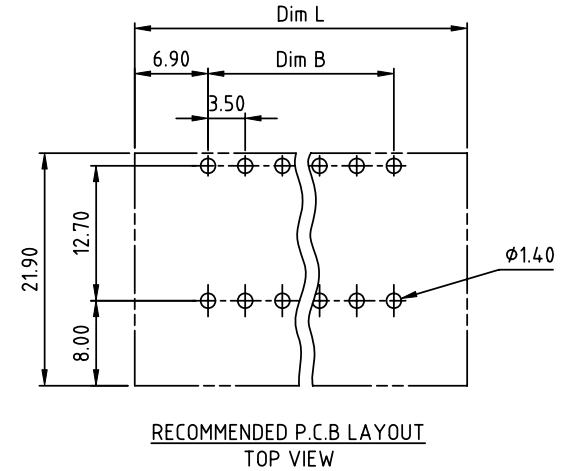
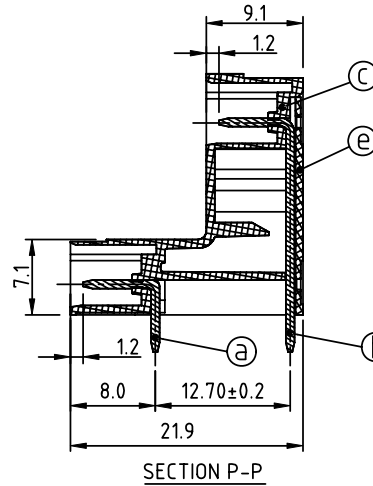
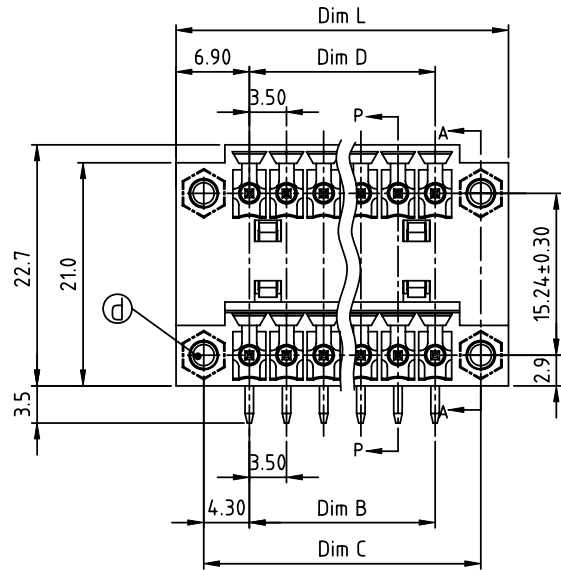


PRODUCT NUMBER	PITCH
VOxx12x100J0G	3.50 mm



- Material:
- Item Ⓐ Short pin: Copper, Tin plated
  - Item Ⓓ Long pin: Copper, Tin plated
  - Item Ⓒ Terminal(housing): Thermoplastic (UL94V-0)
  - Item Ⓔ With flange nut: Brass ,M2.5
  - Item Ⓔ Terminal(cover): Thermoplastic (UL94V-0)
- Electrical:
- Voltage rating: 300V
  - Current rating: 10A
  - Withstanding Voltage: 1.6 KV
  - Operating temperature: -40°C to +115°C
  - Soldering temperature: 260°C±5°C/5 Sec
  - Safety Approval:

N=Number of poles  
 Dim L=(N/2-1)×3.5+13.8  
 Dim B=(N/2-1)×3.5  
 Dim C=(N/2-1)×3.5+8.6  
 Dim D=(N/2-1)×3.5

Poles	Tolerance
2×2P-2×5P	±0.15
2×6P-2×10P	±0.20
2×11P-2×15P	±0.25
2×16P-2×20P	±0.30
2×21P-2×24P	±0.35

PART NO.: VO xx 12 x 1 00J0 G

Solid block	No. of poles	Color	RoHS compliant (lead<4%) In copper Alloy
04	2x2poles	0 Black (RAL9005)	
06	2x3poles	2 Red (RAL3001/D)	
...	...	3 Orange(RAL2011/P)	
48	2x24poles	4 Yellow(RAL1018/A)	
		5 Green(RAL6018/T)	
		6 Blue (RAL5015/A)	
		8 Grey(RAL7035/D)	
		9 White(RAL1102)	
		C Green(RAL6018/U)	

mat'l. code		surface ASME Y14.5	tolerance ASME Y14.5	projection	product family
ltr	ecn no	dr	date	tolerances unless otherwise specified	TERMINAL BLOCK
				angles	title
				⊕	TERMINAL BLOCK
				⊖	PLUGGABLE SOCKET, WITH FLANGE, RIGHT ANGLE
				X°±1°	scale
				dr	dwg no
				ENGR	sheet 1 of 1
				ENGR	size
				CHR	VOxx12x100J0G
				APPD	A4
					type
					CUSTOMER Drawing
sheet index	revision	A			
	sheet	1			