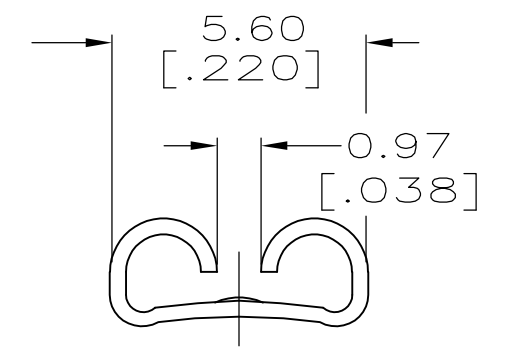
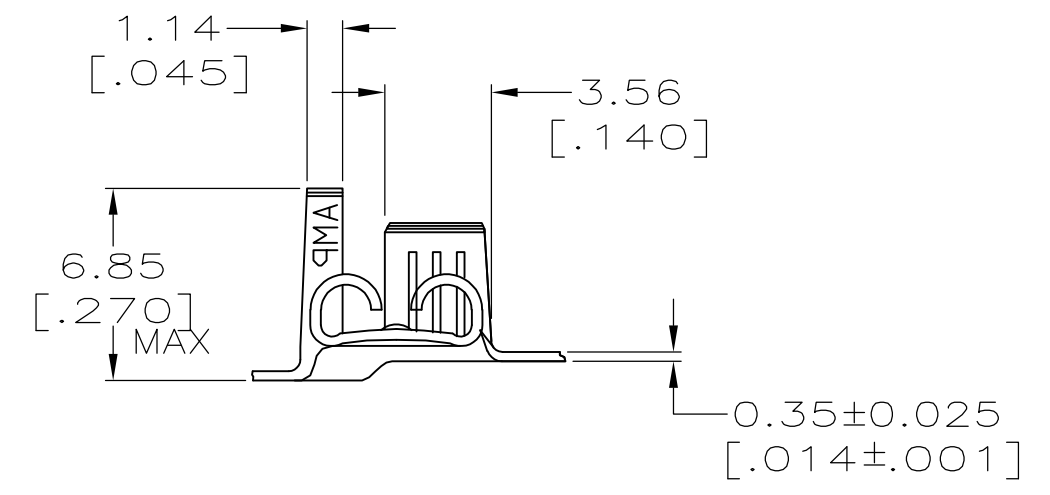
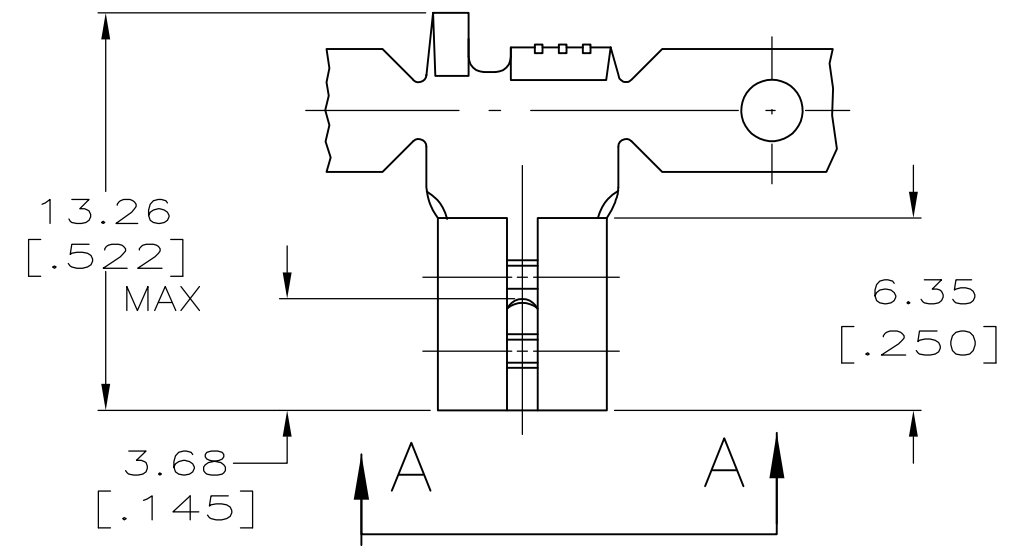


THIS DRAWING IS UNPUBLISHED. RELEASED FOR PUBLICATION
 © COPYRIGHT - By - ALL RIGHTS RESERVED.


LOC	DIST	REVISIONS			
P	LTR	DESCRIPTION	DATE	DWN	APVD
AF	50	G	REVISED PER ECR-12-013518	26NOV2012	KH PD



VIEW A-A
SCALE 6:1

- 1 CONTINUOUS STRIP ON REELS.
- 2 FEED IS 16.51±0.076 [.650±.005].
- 3 ACCEPTS WIRE SIZE [#20-#16] AWG.
- 4 INSULATION RANGE TO BE 2.29-3.30 [.090-.130] DIA.
- 5 MATING TAB THK TO BE 0.813±0.025 [.032±.001].

TIN	1217010-2
-	1217010-1
FINISH	PART NO.

THIS DRAWING IS A CONTROLLED DOCUMENT.		DWN JR RUTH 8/22/97	 TE Connectivity RECEPTACLE, FASTON, FLAG, 4.75 [.187] SERIES				
DIMENSIONS: mm [INCHES]		CHK MS FEHER 8/22/97				NAME	RESTRICTED TO
TOLERANCES UNLESS OTHERWISE SPECIFIED:		APVD P DESANTIS 8/22/97				PRODUCT SPEC	SIZE
0 PLC ± - 1 PLC ± - 2 PLC ± 0.25 [.010] 3 PLC ± - 4 PLC ± - ANGLES ± -		APPLICATION SPEC				114-2155	CAGE CODE
MATERIAL BRASS	FINISH SEE TABLE	WEIGHT -	114-2155	DRAWING NO A3 00779 C-1217010	SCALE 4:1		
CUSTOMER DRAWING			SCALE 4:1	SHEET 1 OF 1	REV G		