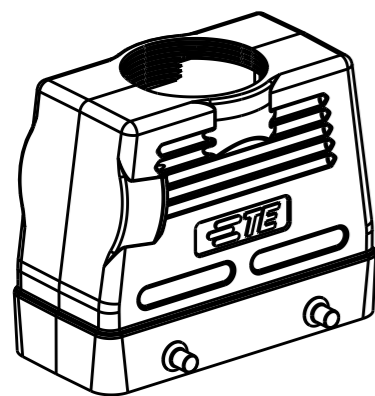
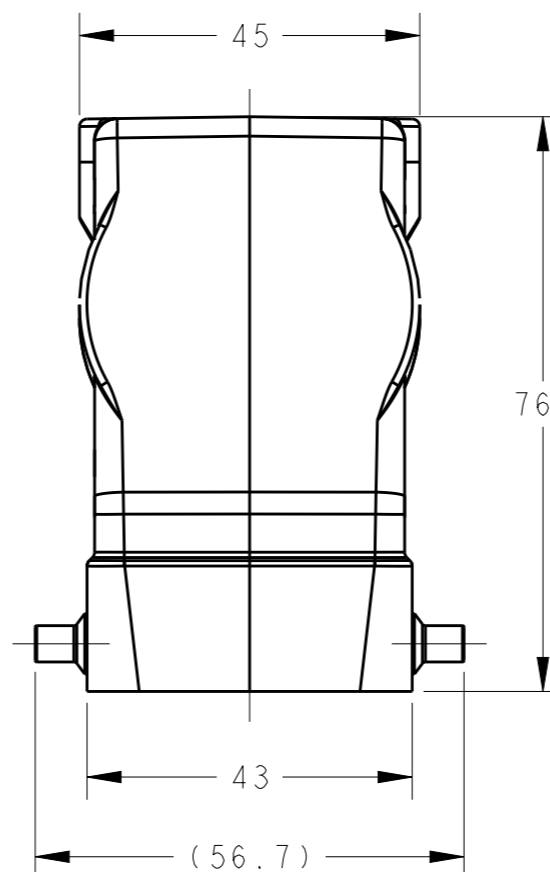
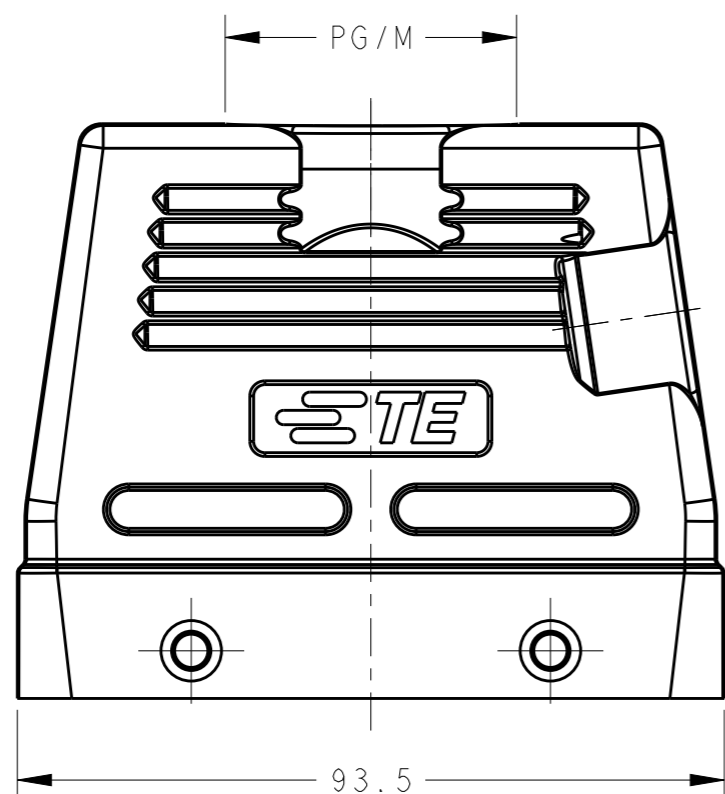


REVISIONS

P	LTR	DESCRIPTION	DATE	DWN	APVD
	A	INITIAL	21MAY2015	DW	CW



SCALE 1:2

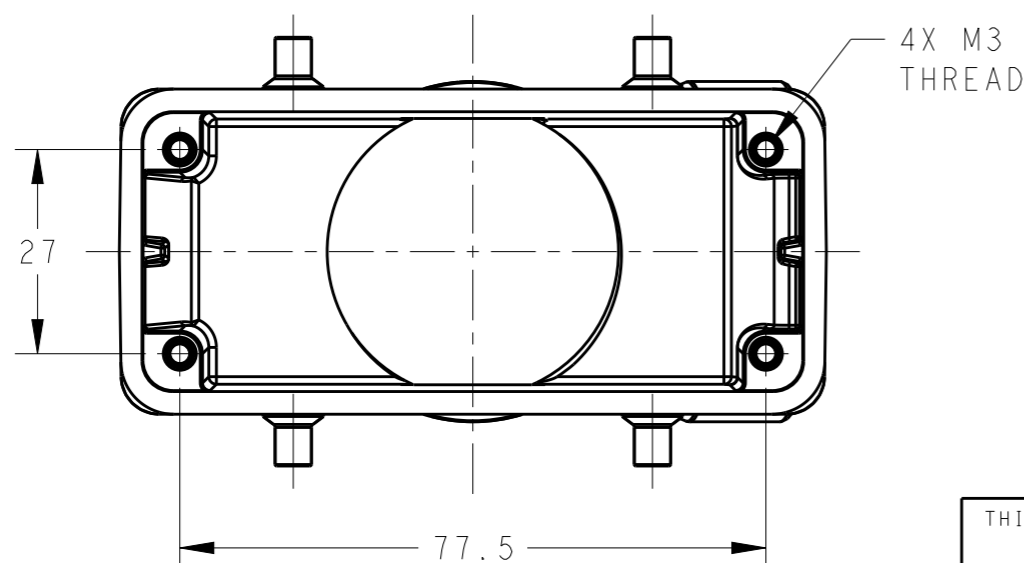


NOTES:

- 1. TECHNICAL CHARACTERISTICS:
 HOOD MATERIAL: DIE CAST ALUMINIUM ALLOY
 SURFACE: POWDER COATED, GREY
 OPERATION TEMPERATURE: -40-+125°C
 DEGREE OF PROTECTION: IP65 (MATED)

注释:

- 1. 技术参数:
 上壳材料: 铝合金
 表面处理: 粉末涂层, 灰色
 工作温度: -40-+125°C
 防护等级: IP65(配合)



T1240160121-000	H16B-TGH-PG21	HIGH CONSTRUCTION	PG21
T1240160129-000	H16B-TGH-PG29		PG29
T1240160125-000	H16B-TGH-M25		M25
T1240160132-000	H16B-TGH-M32		M32
T1240160140-000	H16B-TGH-M40		M40
PART NUMBER	DESCRIPTION	TYPE	THREAD PG/M

THIS DRAWING IS A CONTROLLED DOCUMENT.

DIMENSIONS:	TOLERANCES UNLESS OTHERWISE SPECIFIED:
mm	
	0 PLC ±-
	1 PLC ±-
	2 PLC ±-
	3 PLC ±-
	4 PLC ±-
	ANGLES ±-
MATERIAL	FINISH
-	-
-	-

DWN	21MAY2015
David Wang	
CHK	21MAY2015
Chris Wang	
APVD	21MAY2015
Xiang Xu	
PRODUCT SPEC	108-137013
APPLICATION SPEC	114-137013
WEIGHT	-
Customer Drawing	

STE TE Connectivity

NAME
H16B-TGH-M/PG

SIZE	CAGE CODE	DRAWING NO	RESTRICTED TO
A3	00779	©-T12401601XX000	-

SCALE 1:1 SHEET 1 OF 1 REV A