



Introducing “Star Board” LED Pixel Holder

“Star Board” LED Pixel Holder

KEY FEATURES

- Design combines thermal and electrical connections to the hexagonal “Star” LED board configurations offered by LED manufacturers such as Philips/Lumileds, Cree, Osram, Seoul Semiconductor, and Nichia
- Design allows for versatility in mounting monochromatic and RGB “Star” LEDs without the need for solder (Note: RGB uses 4 wire common anode)
- Consists of a heat sink, locking ring, and contact carrier
- 3 Watts using standard Tyco Electronics heatsink* tooled to fit in standard GU10/MR16 light fixtures
- Design fits into the same envelope as an MR16 with it’s socket
- Optional Tyco Electronics diffuser lens available
- Optional Tyco Electronics integral LED driver available
- Standard 110 FASTON Receptacle quick connects for easy Class 2 power wiring
- LED Holder allows for replacement of the star board after installation and can accommodate star board thicknesses in the range of 1.0mm to 2.5mm

DESCRIPTION

Modular LED assembly holder that can be easily integrated into standard, direct lighting fixtures

Easy, snap-together solderless thermal and electrical termination

APPLICATIONS

Plug and play capability which easily integrates into LED light fixtures

Used in: office, residential, or architectural lighting

ELECTRICAL

Operating Current: Up to 2.5 Amps

Operating Voltage: Up to 50VDC

LED Wattage Rating*: 0.5 to 3 Watts with Tyco Electronics heat sink

MECHANICAL

Number of Positions: 2 contact loading for single-color LEDs and 4 contact loading for full color (RGB) LEDs

Wire Interface: Tyco Electronics 110 FASTON Receptacle

Durability: 10 cycles

Environmental Operating Temperature: -40 to 120 degree C

MATERIALS

Contacts: Copper Alloy

Finish: Tin over Nickel

LED “Star” board: Customer supplied

Contact Carrier and Locking Ring: Plastic (PBT)

Heatsink: Cast Aluminum

STANDARDS & SPECS

UL: UL 8750

Product Specification: 108-2350

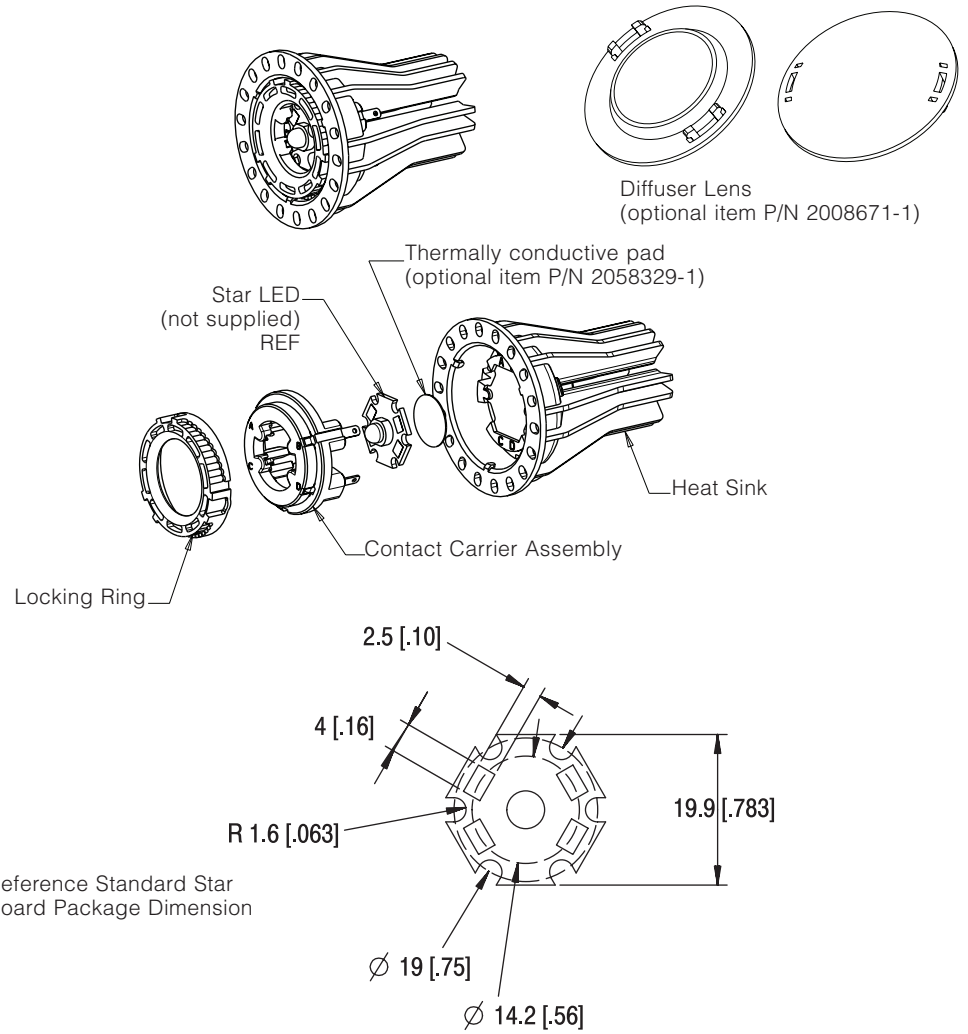
Application Specification: 114-13227

* NOTICE: A Proper LED Thermal Management Plan is Required for All High Power LED Applications. The standard Tyco Electronics heatsink was tested under 40 degree ambient conditions inside a typical GU10 style semi-enclosed track light fixture without any forced air cooling using a Philips LUMILEDS LUXEON III LED. Higher or lower wattage LEDs can be used with this holder if the application conditions are appropriate. The application conditions to be considered include: ambient temperature, airflow, light fixture design, enclosure volume, holder orientation, thermal interface material, the selected LED’s thermal characteristics/limitations, and other application specific factors. The customer will need to test their fixture with their selected LED under the expected ambient conditions of the final application to determine if their complete application meets the LED’s junction temperature requirements as specified by the LED manufacturer. If the LED’s junction temperature requirements are exceeded, LED failure or reduced LED lumen maintenance can be expected. Please contact Tyco Electronics for technical assistance regarding this “Star Board” LED Pixel Holder if there are any questions about High Power LED Thermal Management.

“Star Board” LED Pixel Holder



PRODUCT DRAWING



PRODUCT OFFERING

- 2008675-1 “Star” LED Holder Kit (includes contact carrier, locking ring and heat sink)
- 2008671-1 Diffuser lens (optional)
- 2058329-1 Thermal Interface Pad (optional)

APPLICATION TOOLING

Standard long nose pliers required to install locking ring

FOR MORE INFORMATION

Technical Support

Internet: www.tycoelectronics.com
E-mail: newproducts@tycoelectronics.com
USA: 1-800-522-6752
Canada: 1-905-470-4425
Mexico: 1-800-733-8926
C. America: 52-55-1106-0803
South America: 55-11-2103-6000
Hong Kong: 852-2735-1628
Japan: 81-44-844-8013
UK: 44-8706-080208

Tyco Electronics Corporation
Harrisburg, PA

tycoelectronics.com

Copyright 2008 Tyco Electronics Corporation. All rights reserved.
1773452-1 - 5k -MS/FP - 7/2008.
FASTON, TE Logo and Tyco Electronics are trademarks.

 **Tyco Electronics**
Our commitment. Your advantage.