

## USB 2.0 to UART Protocol Converter with GPIO

### Features

#### Universal Serial Bus (USB)

- Supports Full-Speed USB (12 Mb/s)
- Implements USB Protocol Composite Device:
  - Communication Device Class (CDC) for Communications and Configuration
  - Human Interface Device (HID) for I/O control
- 128-Byte Buffer to Handle Data Throughput at Any UART Baud Rate:
  - 64-byte transmit
  - 64-byte receive
- Fully Configurable VID and PID Assignments and String Descriptors
- Bus-Powered or Self-Powered
- USB 2.0 Compliant: TID 40001150

#### USB Driver and Software Support

- Uses Standard Windows® Drivers for Virtual Com Port (VCP): Windows XP (SP2 or later), Windows Vista, Windows 7, Windows 8, Windows 8.1 and Windows 10
- Configuration Utility for Initial Configuration

#### Universal Asynchronous Receiver/Transmitter (UART)

- Responds to SET\_LINE\_CODING Commands to Dynamically Change Baud Rates
- Supports Baud Rates: 300-1000k
- Hardware Flow Control
- UART Signal Polarity Option

#### General Purpose Input/Output (GPIO) Pins

- Eight General Purpose I/O pins

#### EEPROM

- 256 Bytes of User EEPROM

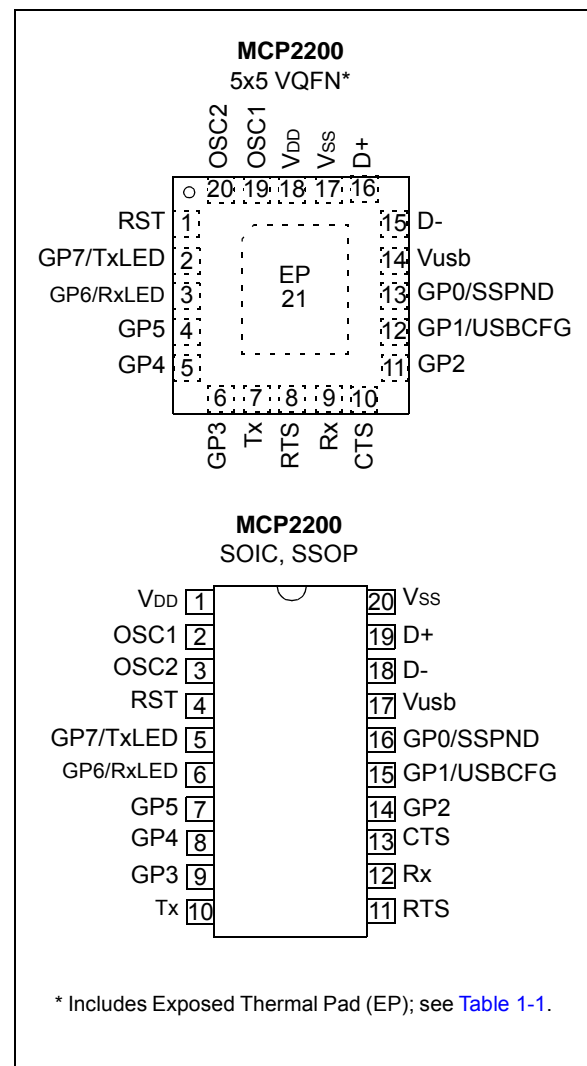
#### Other

- USB Activity LED Outputs (TxLED and RxLED)
- SSPND Output Pin
- USBCFG Output Pin (indicates when the enumeration is completed)
- Operating Voltage: 3.0V-5.5V
- Oscillator Input: 12 MHz
- Electrostatic Discharge (ESD) Protection: >4 kV Human Body Model (HBM)
- Industrial (I) Operating Temperature: -40°C to +85°C

### Package Types

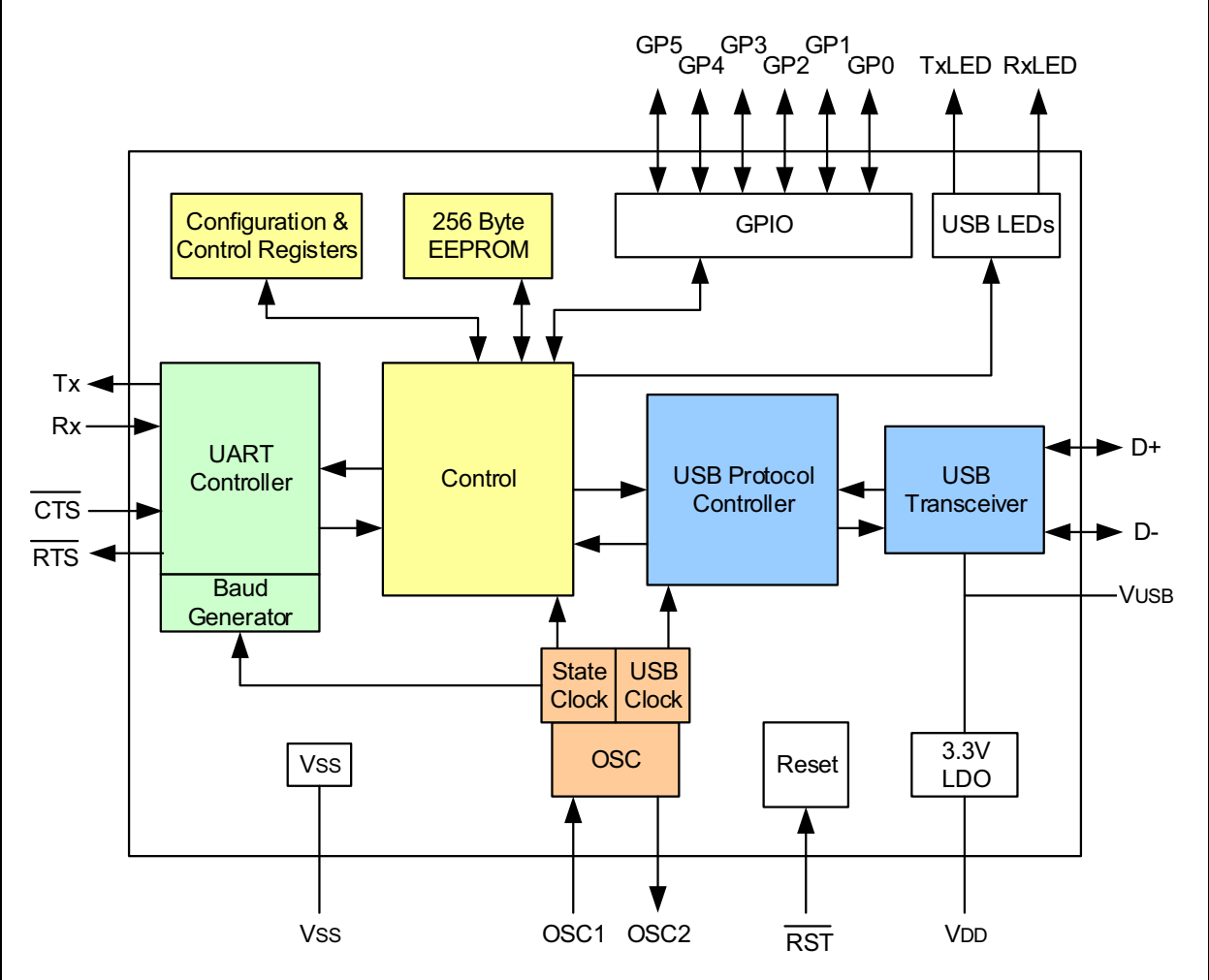
The device is offered in the following packages:

- 20-lead VQFN (5x5 mm)
- 20-lead SOIC
- 20-lead SSOP



# MCP2200

## Block Diagram



## 1.0 FUNCTIONAL DESCRIPTION

The MCP2200 is a USB-to-UART serial converter that enables USB connectivity in applications that have a UART interface. The device reduces external components by integrating the USB termination resistors. The MCP2200 also has 256 bytes of integrated user EEPROM.

The MCP2200 has eight general purpose input/output pins. Four pins have alternate functions to indicate USB and communication status. See [Table 1-1](#) and [Section 1.6 “GPIO Module”](#) for details about the pin functions.

**TABLE 1-1: PINOUT DESCRIPTION**

Pin Name	VQFN	SSOP, SOIC	Pin Type	Standard Function	Alternate Function
GP0/SSPND	13	16	I/O	General purpose I/O	USB suspend status pin (refer to <a href="#">Section 1.6.1.1 “SSPND Pin Function”</a> )
GP1/USB-CFG	12	15	I/O	General purpose I/O	USB configuration status pin (refer to <a href="#">Section 1.6.1.2 “USBCFG Pin Function”</a> )
GP2	11	14	I/O	General purpose I/O	
GP3	6	9	I/O	General purpose I/O	
GP4	5	8	I/O	General purpose I/O	
GP5	4	7	I/O	General purpose I/O	
GP6/RxLED	3	6	I/O	General purpose I/O	USB receive activity LED output (refer to <a href="#">Section 1.6.1.3 “RxLED Pin Function (IN Message)”</a> )
GP7/TxLED	2	5	I/O	General purpose I/O	USB transmit activity LED output (refer to <a href="#">Section 1.6.1.4 “TxLED Pin Function (OUT Message)”</a> )
CTS	10	13	I	Hardware flow control “Clear to Send” input signal	
RTS	8	11	O	Hardware flow control “Request to Send” output signal	
Rx	9	12	I	USART RX input	
Tx	7	10	O	USART TX output	
RST	1	4	I	Reset input must be externally biased	
VDD	18	1	P	Power	
VSS	17	20	P	Ground	
OSC1	19	2	I	Oscillator input	
OSC2	20	3	O	Oscillator output	
D+	16	19	I/O	USB D+	
D-	15	18	I/O	USB D-	
Vusb	14	17	P	USB power pin (internally connected to 3.3V). Should be locally bypassed with a high-quality ceramic capacitor.	
EP	21	—	—	Exposed Thermal Pad (EP). Do not electrically connect.	

# MCP2200

## 1.1 Supported Operating Systems

Windows XP (SP2 and later), Windows Vista, Windows 7, Windows 8, Windows 8.1 and Windows 10 operating systems are supported.

### 1.1.1 ENUMERATION

The MCP2200 will enumerate as a USB device after Power-on Reset (POR). The device enumerates as both a Human Interface Device (HID) for I/O control, and a Virtual Com Port (VCP).

#### 1.1.1.1 Human Interface Device (HID)

The MCP2200 enumerates as an HID, so the device can be configured and the I/O can be controlled. A DLL that facilitates I/O control through a custom interface is supplied by Microchip.

#### 1.1.1.2 Virtual Com Port (VCP)

The VCP enumeration implements the USB-to-UART data translation.

## 1.2 Control Module

The control module is the heart of the MCP2200. All other modules are tied together and controlled via the control module. The control module manages the data transfers between the USB and the UART, as well as the command requests generated by the USB host controller and the commands for controlling the function of the UART and I/O.

### 1.2.1 SERIAL INTERFACE

The control module interfaces to the UART and USB modules.

### 1.2.2 INTERFACING TO THE DEVICE

The MCP2200 can be accessed for reading and writing via USB host commands. The device cannot be accessed and controlled via the UART interface.

## 1.3 UART Interface

The MCP2200 UART interface consists of the Tx and Rx data signals and the RTS/CTS flow control pins.

The UART is configurable for several baud rates. The available baud rates are listed in [Table 1-3](#).

### 1.3.1 INITIAL CONFIGURATION

The default UART configuration is 19200, 8, N, 1. The default start-up baud rate can be changed using the Microchip-supplied configuration PC tool.

Alternatively, a custom configuration tool can be created using the Microchip-supplied DLL to set the baud rate as well as other parameters. See [Section 2.0 "Configuration"](#) for details.

**TABLE 1-2: UART CONFIGURATIONS**

Parameter	Configuration
Primary Baud Rates	See <a href="#">Table 1-3</a>
Data Bits	8
Parity	N
Stop Bits	1

### 1.3.2 GET/SET LINE CODING

The `GET_LINE_CODING` and `SET_LINE_CODING` commands are used to read and set the UART parameters while in operation. For example, HyperTerminal sends the `SET_LINE_COMMAND` when connecting to the port. The MCP2200 responds by setting the baud rate only. The other parameters (data bits, parity, stop bits) remain unchanged.

#### 1.3.2.1 Rounding Errors

The primary baud rate setting (with the rounding errors) is shown in [Table 1-3](#). If baud rates other than the ones shown in the table are used, the error percentage can be calculated using [Equation 1-1](#) to find the actual baud rate.

**TABLE 1-3: UART PRIMARY BAUD RATES**

Desired Rate	Actual rate	% Error
300	300	0.00%
1200	1200	0.00%
2400	2400	0.00%
4800	4800	0.00%
9600	9600	0.00%
19200	19200	0.00%
38400	38339	0.16%
57600	57692	0.16%
115200	115385	0.16%
230400	230769	0.16%
460800	461538	0.16%
921600	923077	0.16%

## EQUATION 1-1: SOLVING FOR ACTUAL BAUD RATE

$$ActualRate = \frac{12\text{ MHz}}{int(x)}$$

Where:

$$x = \frac{12\text{ MHz}}{Desired\ Baud}$$

### 1.3.3 CUSTOM BAUD RATES

Custom baud rates are configured by sending the `SET_LINE_CODING` USB command, or by using the DLL. See [Section 2.0 “Configuration”](#) for more information.

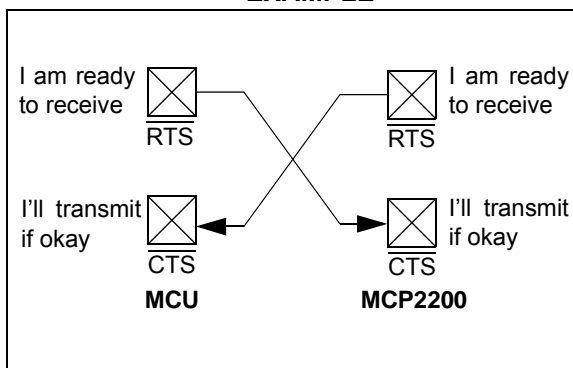
### 1.3.4 HARDWARE FLOW CONTROL

Hardware flow control uses the  $\overline{RTS}$  and  $\overline{CTS}$  pins as a handshake between two devices. The  $\overline{RTS}$  pin of one device is typically connected to the  $\overline{CTS}$  of the other device.

$\overline{RTS}$  is an active-low output that notifies the other device when it is ready to receive data by driving the pin low. The MCP2200 trip point for deasserting  $\overline{RTS}$  (high) is 63 characters. This is one character short of “buffer full”.

$\overline{CTS}$  is an active-low input that notifies the MCP2200 when it is ready to send data. The MCP2200 will check  $\overline{CTS}$  just before loading and sending UART data. If the pin is asserted during a transfer, the transfer will continue. Refer to [Figure 1-1](#).

**FIGURE 1-1:  $\overline{RTS}/\overline{CTS}$  CONNECTIONS EXAMPLE**



#### 1.3.4.1 Flow Control Disabled

The buffer pointer does not increment (or reset to zero) if the buffer is full. Therefore, if hardware flow control is not enabled and an overflow occurs (i.e., 65 unprocessed characters received), the new data overwrites the last position in the buffer.

## 1.4 USB Protocol Controller

The USB controller in the MCP2200 is full-speed USB 2.0 compliant.

- Composite device (CDC + HID):
  - CDC: USB-to-UART communications
  - HID: I/O control, EEPROM access and initial configuration
- 128-byte buffer to handle data throughput at any UART baud rate:
  - 64-byte transmit
  - 64-byte receive
- Fully configurable VID and PID assignments and descriptors (stored on-chip)
- Bus-powered or self-powered

### 1.4.1 DESCRIPTORS

During configuration, the supplied PC interface stores the descriptors in the MCP2200.

### 1.4.2 SUSPEND AND RESUME

The USB Suspend and Resume signals are supported for power management of the MCP2200. The device enters Suspend mode when “suspend signaling” is detected on the bus.

The MCP2200 exits Suspend mode when any of the following events occur:

1. “Resume signaling” is detected or generated.
2. A USB “Reset” signal is detected.
3. A device reset occurs.

## 1.5 USB Transceiver

The MCP2200 has a built-in, full-speed USB 2.0 transceiver internally connected to the USB module.

The USB transceiver obtains power from the `VUSB` pin, which is internally connected to the 3.3V regulator. The best electrical signal quality is obtained when `VUSB` is locally bypassed with a high-quality ceramic capacitor.

### 1.5.1 INTERNAL PULL-UP RESISTORS

The MCP2200 devices have built-in pull-up resistors designed to meet the requirements for full-speed USB.

### 1.5.2 MCP2200 POWER OPTIONS

The following are the main power options for the MCP2200:

- USB Bus-Powered (5V)
- 3.3V Self-Powered

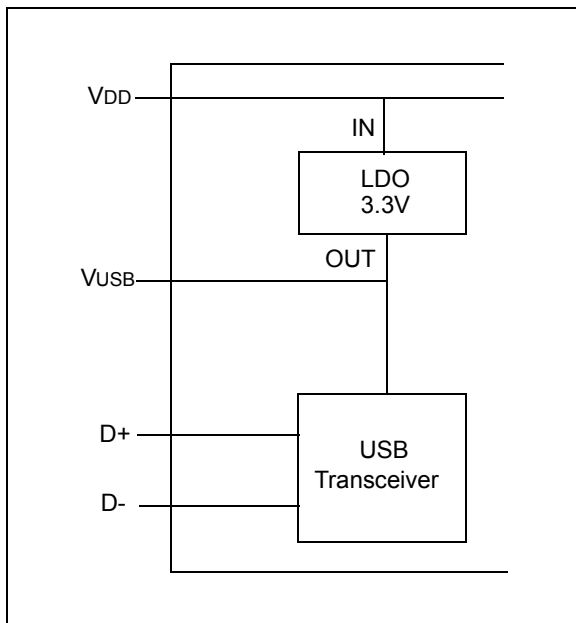
# MCP2200

## 1.5.2.1 Internal Power Supply Details

MCP2200 offers various options for power supply. To meet the required USB signaling levels, the MCP2200 device incorporates an internal LDO used solely by the USB transceiver in order to present the correct D+/D- voltage levels.

Figure 1-2 shows the internal connections of the USB transceiver LDO in relation to the VDD power supply rail. The output of the USB transceiver LDO is tied to the VUSB line. A capacitor connected to the VUSB pin is required if the USB transceiver LDO provides the 3.3V supply to the transceiver.

**FIGURE 1-2: MCP2200 INTERNAL POWER SUPPLY DETAILS**



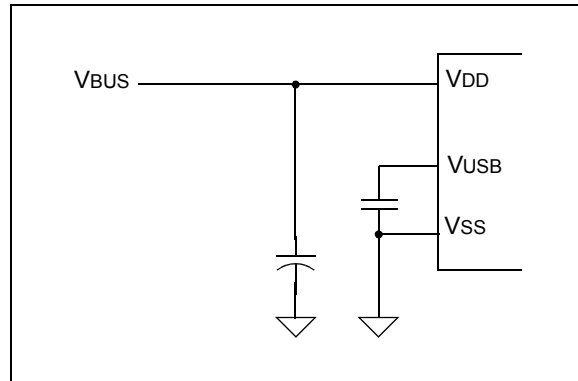
The provided VDD voltage has a direct influence on the voltage levels present on the GPIO pins (Rx/Tx and RTS/CTS). When VDD is 5V, all of these pins will have a logical '1' around 5V with the variations specified in Section 3.1 "DC Characteristics".

For applications that require a 3.3V logical '1' level, VDD must be connected to a power supply providing 3.3V voltage. In this case, the internal USB transceiver LDO cannot provide the required 3.3V of power. It is necessary to also connect the VUSB pin to the 3.3V power supply rail. This way, the USB transceiver is powered-up directly from the 3.3V power supply.

## 1.5.2.2 USB Bus-Powered (5V)

In Bus Power Only mode, all power for the application is drawn from the USB (Figure 1-3). This is effectively the simplest power method for the device.

**FIGURE 1-3: BUS POWER ONLY**



In order to meet the inrush current requirements of the USB 2.0 specifications, the total effective capacitance appearing across VBUS and ground must be no more than 10  $\mu$ F. If it is not more than 10  $\mu$ F, some kind of inrush current limiting is required. For more details on inrush current limiting, consider the latest version of the "Universal Serial Bus Specification".

According to the USB 2.0 specification, all USB devices must also support a low-power Suspend mode. In the USB Suspend mode, devices must consume no more than 500  $\mu$ A (or 2.5 mA for high-powered devices that are remote wake-up capable) from the 5V VBUS line of the USB cable.

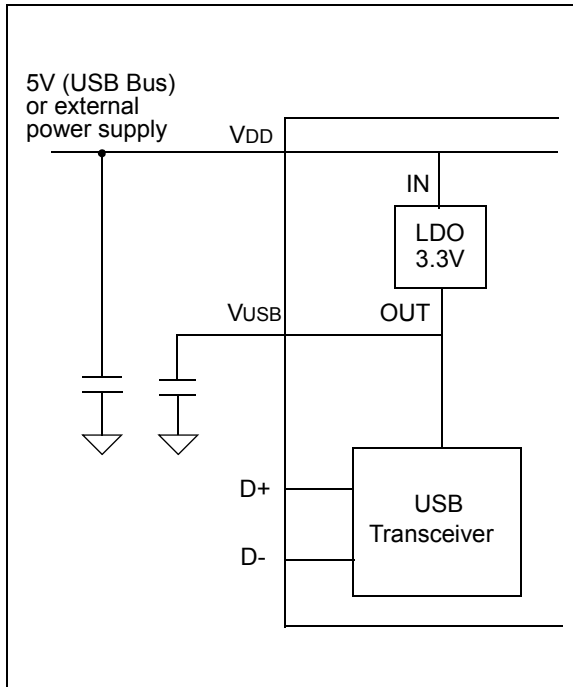
The host signals the USB device to enter Suspend mode by stopping all USB traffic to that device for more than 3 ms.

The USB bus provides a 5V voltage. However, the USB transceiver requires 3.3V for the signaling (on the D+ and D- lines).

During USB Suspend mode, the D+ or D- pull-up resistor must remain active, which will consume some of the allowed suspended current budget (500  $\mu$ A/ 2.5 mA). The VUSB pin is required to have an external bypass capacitor. It is recommended that the capacitor be a ceramic capacitor between 0.22  $\mu$ F. and 0.47  $\mu$ F.

Figure 1-4 shows a circuit where MCP2200's internal LDO is used to provide 3.3V to the USB transceiver. The voltage on the VDD affects the voltage levels onto the GPIO pins (Rx/Tx and RTS/CTS). With VDD at 5V, these pins will have a logic '1' of 5V with the variations specified in Section 3.1 "DC Characteristics".

**FIGURE 1-4: TYPICAL POWER SUPPLY OPTION USING THE 5V PROVIDED BY THE USB**

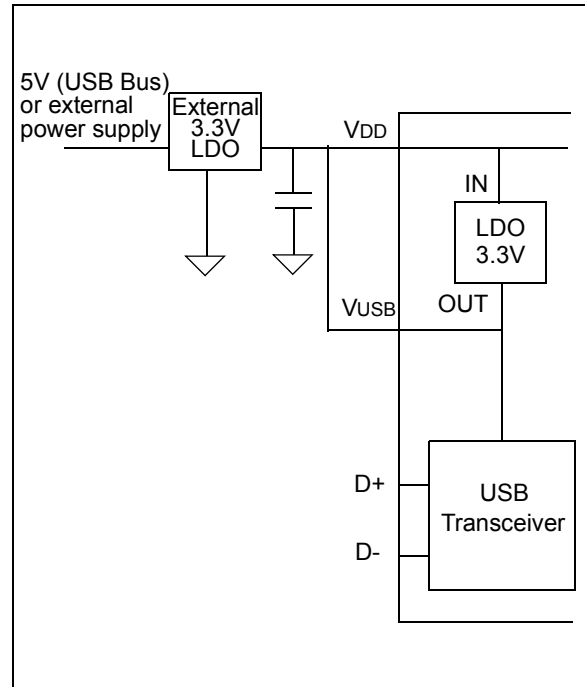


### 1.5.2.3 3.3V Self-Powered

Typically, many embedded applications are using 3.3V power supplies. When such an option is available in the target system, MCP2200 can be powered up from the existing 3.3V power supply rail. The typical connections for the MCP2200 are shown in [Figure 1-5](#).

In this example, the MCP2200 has both VDD and VUSB lines tied to the 3.3V rail. These tied connections disable the internal USB transceiver LDO of the MCP2200 to regulate the power supply on VUSB pin. Another consequence is that the '1' logical level on the GPIO pins will be at the 3.3V level, in accordance with the variations specified in [Section 3.1 "DC Characteristics"](#).

**FIGURE 1-5: USING AN EXTERNALLY PROVIDED 3.3V POWER SUPPLY**



## 1.6 GPIO Module

The GPIO Module is a standard 8-bit I/O port.

### 1.6.1 CONFIGURABLE PIN FUNCTIONS

The pins can be configured as:

- GPIO – individually configurable general purpose input or output
- SSPND – USB Suspend state
- USBCFG – indicates USB configuration status
- RxLED – indicates USB receive traffic
- TxLED – indicates USB transmit traffic

#### 1.6.1.1 SSPND Pin Function

The SSPND pin (if enabled) reflects the USB state (Suspend/Resume). The pin is active-low when the Suspend state has been issued by the USB host. Likewise, the pin drives 'high' after the Resume state is achieved.

This pin allows the application to go into low power mode when USB communication is suspended, and switches to a full active state when USB activity is resumed.

#### 1.6.1.2 USBCFG Pin Function

The USBCFG pin (if enabled) starts out 'low' during power-up or after Reset, and goes 'high' after the device successfully configures to the USB. The pin will go 'low' when in Suspend mode and 'high' when the USB resumes.

# MCP2200

## 1.6.1.3 RxLED Pin Function (IN Message)

The 'Rx' in the pin name refers to the USB host. The RxLED pin is an indicator for USB 'IN' messages.

This pin will either pulse low for a period of time (configurable for ~100 ms or ~200 ms), or toggle to the opposite state for every message received (IN message) by the USB host. This allows the application to count messages or provide a visual indication of USB traffic.

## 1.6.1.4 TxLED Pin Function (OUT Message)

The 'Tx' in the pin name refers to the USB host. The TxLED pin is an indicator for USB 'OUT' messages.

This pin will either pulse low for a period of time (configurable for ~100 ms or ~200 ms), or toggle to the opposite state for every message transmitted (OUT message) by the USB host. This allows the application to count messages or provide a visual indication of USB traffic.

## 1.7 EEPROM Module

The EEPROM module is a 256-byte array of nonvolatile memory. The memory locations are accessed for read/write operations via USB host commands. Refer to [Section 2.0 "Configuration"](#) for details on accessing the EEPROM. The memory cells for data EEPROM are rated to endure thousands of erase/write cycles, up to 100K for EEPROM.

Data retention without refresh is conservatively estimated to be greater than 40 years.

The host should wait for the write cycle to complete and then verify the write by reading the byte(s).

## 1.8 RESET/POR

### 1.8.1 RESET PIN

The  $\overline{\text{RST}}$  pin provides a method for triggering an external Reset of the device. A Reset is generated by holding the pin low. These devices have a noise filter in the Reset path which detects and ignores small pulses.

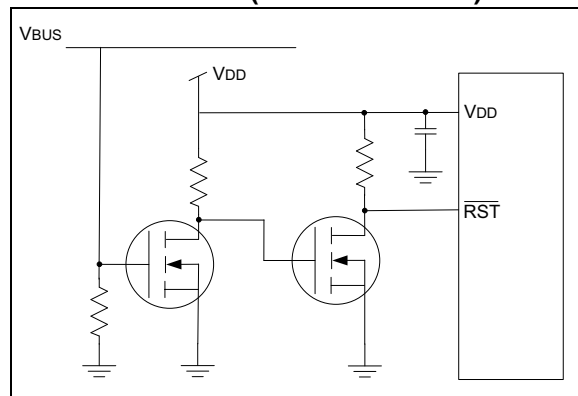
### 1.8.2 POWER-ON RESET (POR)

A POR pulse is generated on-chip whenever VDD rises above a certain threshold. This allows the device to start in the initialized state when VDD is adequate for operation.

To take advantage of the POR circuitry, tie the  $\overline{\text{RST}}$  pin through a resistor (1 k $\Omega$  to 10 k $\Omega$ ) to VDD. This will eliminate external RC components usually needed to create a POR delay.

In the self-powered configuration, it is recommended to tie the  $\overline{\text{RST}}$  pin to the VBUS line of the USB connector, as in [Figure 1-6](#).

**FIGURE 1-6: CONNECTING THE  $\overline{\text{RST}}$  PIN IN A SELF-POWERED CONFIGURATION (RECOMMENDED)**



When the device starts normal operation (i.e., exits the Reset condition), device operating parameters (voltage, frequency, temperature, etc.) must be met to ensure operation. If these conditions are not achieved, the device must be held in Reset until the operating conditions are met.

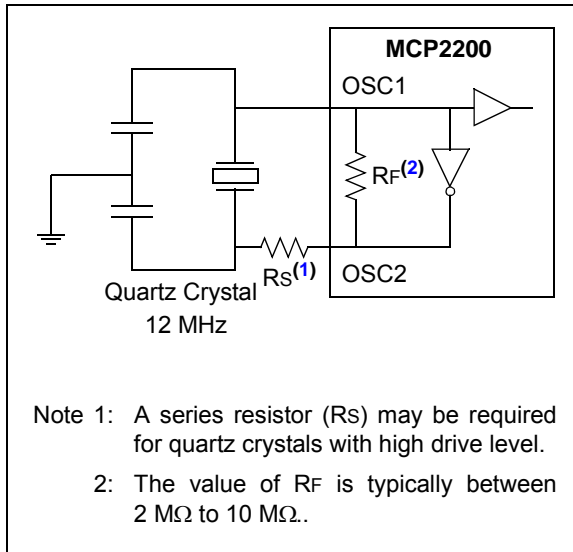


## 1.9 Oscillator

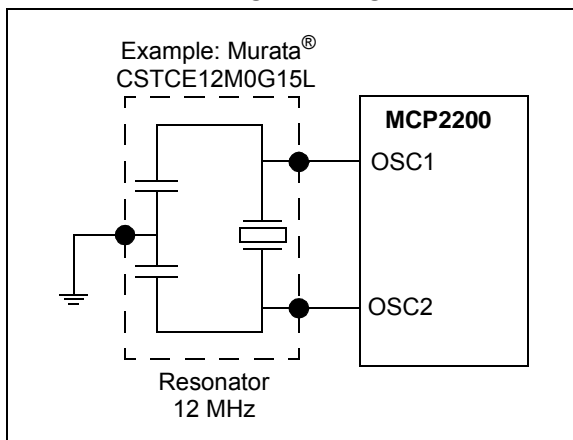
The input clock must be 12 MHz to provide the proper frequency for the USB module.

USB full speed is defined as 12 Mb/s. The clock input accuracy is  $\pm 0.25\%$  (2,500 ppm maximum).

**FIGURE 1-7: QUARTZ CRYSTAL OPERATION**



**FIGURE 1-8: CERAMIC RESONATOR OPERATION**



# MCP2200

---

## 2.0 CONFIGURATION

The MCP2200 is configured by writing special commands using the HID interface. Configuration can be achieved using the configuration utility provided by Microchip. Alternatively, a custom utility can be developed by using the DLL available on the MCP2200 product page.

### 2.1 Configuration Utility

The configuration utility provided by Microchip allows the user to configure the MCP2200 to custom defaults. The configuration utility (shown in [Figure 2-1](#)) connects to the device's HID interface, where all of the configurable features can be set.

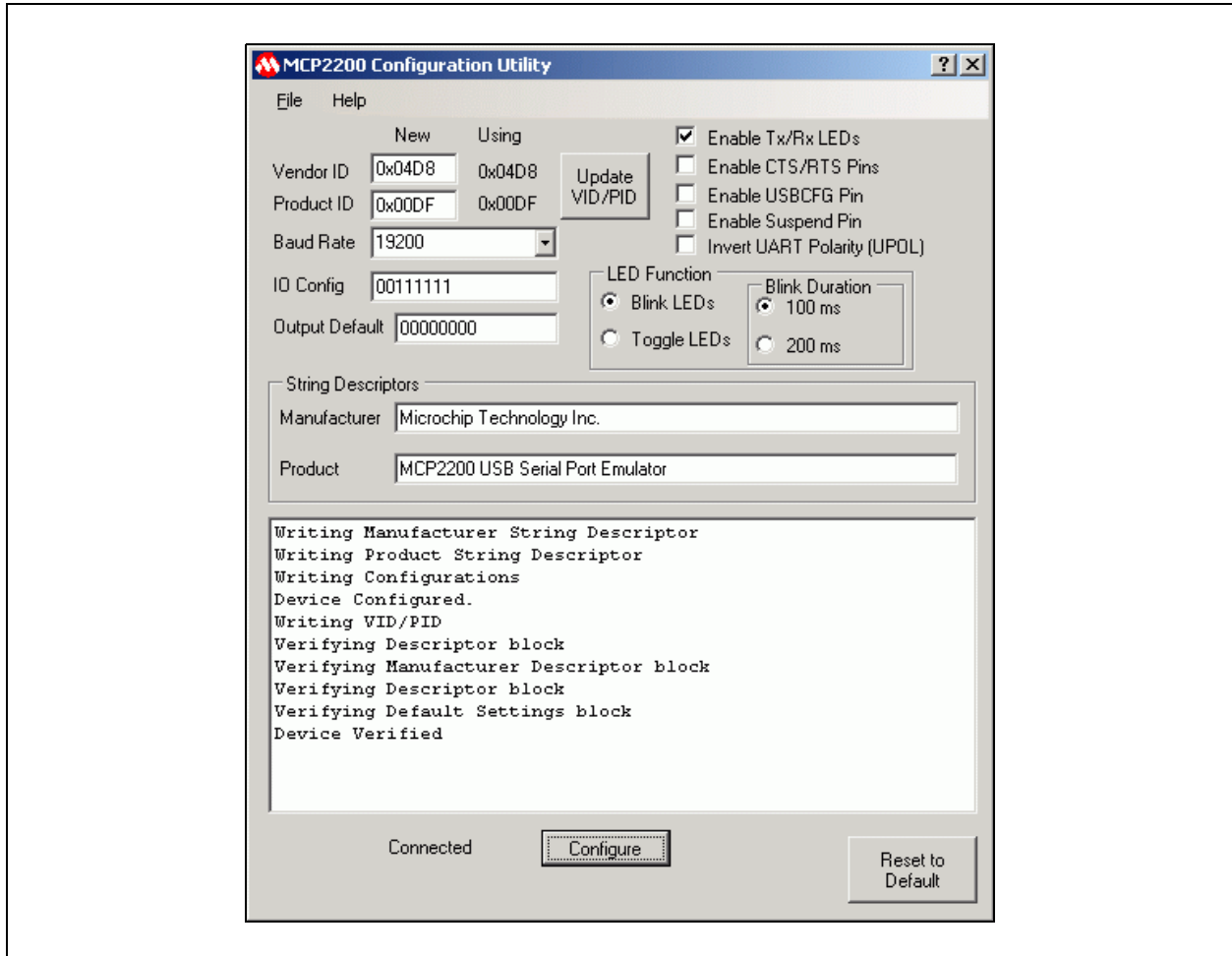
### 2.2 Serial String

The MCP2200 is supplied from the factory with a serialized USB serial string.

**TABLE 2-1: CONFIGURATION DESCRIPTIONS**

Configuration Name	Description
Vendor ID (0x04D8)	The USB vendor identification assigned to Microchip by the USB consortium.
Product ID (0x00DF)	Device ID assigned by Microchip. The device can be used as-is, or Microchip can assign a custom PID by request.
Baud Rate	Sets the UART baud rate using a list of primary baud rates. See the UART section for details on setting non-primary baud rates.
IO Config	Individually configures the I/O to inputs or outputs.
IO Default	Individually configures the output default state for pins configured as outputs.
Tx/Rx LEDs	Enables/disables the GP6 and GP7 pins to function as USB traffic indicators. Pins are active-low when configured as traffic indicators.
Hardware Flow Control	Enables/disables $\overline{\text{CTS}}$ and $\overline{\text{RTS}}$ flow control.
USBCFG Pin	Enables/disables the GP1 pin as a USB configuration status indicator.
Suspend Pin	Enables/disables the GP0 pin as a USB suspend status pin.
Invert Sense	Enables/disables the UART lines states: <ul style="list-style-type: none"><li>- Normal – Tx/Rx idle-high; <math>\overline{\text{CTS/RTS}}</math> active-low</li><li>- Inverted – Tx/Rx idle-low; <math>\overline{\text{CTS/RTS}}</math> active-high</li></ul>
Manufacturer String	USB manufacturer string.
Product String	USB product string.

**FIGURE 2-1: CONFIGURATION UTILITY**



# MCP2200

## 2.3 Simple Configuration and I/O DLL

To help the user develop a custom configurator, Microchip provides a DLL that uses Microsoft®.NET Framework 3.5. There is documentation about drivers and utilities on the MCP2200 product page at [www.microchip.com](http://www.microchip.com) (in the Software section) with information on associating the DLL with a Visual C++ project.

### 2.3.1 SIMPLE I/O DLL CALLS

Table 2-2 lists the functions provided by the DLL to allow the configuration of the device and control of the I/O.

TABLE 2-2: CONFIGURATION FUNCTIONS

Category and Function Name
<b>Initialization (Note 1)</b>
<code>void InitMCP2200(VID, PID)</code>
<b>Configuration (Note 2)</b>
<code>bool ConfigureIO(mask)</code>
<code>bool ConfigureIoDefaultOutput(mask, defaultGpioOutputValue)</code>
<code>bool fnRxLED (OFF/TOGGLE/BLINKSLOW/BLINKFAST)</code>
<code>bool fnTxLED (OFF/TOGGLE/BLINKSLOW/BLINKFAST)</code>
<code>bool fnHardwareFlowControl (ON/OFF)</code>
<code>bool fnULoad(ON/OFF)</code>
<code>bool fnSuspend (ON/OFF)</code>
<code>bool ConfigureMCP2200(mask, baudrate, RxLedMode, TxLedMode, flowCtrl, ULoad, suspend)</code>
<code>bool ConfigureIO(mask)</code>
<b>Miscellaneous</b>
<code>String^ GetDeviceInfo(deviceIndex)</code>
<code>unsigned int GetNoOfDevices()</code>
<code>int GetSelectedDevice()</code>
<code>String^ GetSelectedDeviceInfo()</code>
<code>bool IsConnected()</code>
<code>int SelectDevice(uiDeviceNo)</code>
<code>int ReadEEPROM(uiEEPAddress)</code>
<code>int WriteEEPROM(uiEEPAddress, ucValue)</code>
<b>I/O Control</b>
<code>bool ClearPin(pinnumber)</code>
<code>bool SetPin(pinnumber)</code>
<code>bool ReadPin(pinnumber, *pinvalue)</code>
<code>int ReadPinValue(pinnumber)</code>
<code>bool ReadPort(*portValue)</code>
<code>int ReadPortValue()</code>
<code>bool WritePort(portValue)</code>
<b>Summary</b>
<code>bool SimpleIOClass::ClearPin(unsigned int pin)</code> <a href="#">Section 2.3.1.1</a>
<code>bool SimpleIOClass::ConfigureIO (unsigned char IOMap)</code> <a href="#">Section 2.3.1.2</a>
<code>bool SimpleIOClass::ConfigureIoDefaultOutput(unsigned char ucIoMap, unsigned char ucDefValue )</code> <a href="#">Section 2.3.1.3</a>
<code>bool SimpleIOClass::ConfigureMCP2200 (unsigned char IOMap, unsigned long BaudRateParam, unsigned int RxLEDMode, unsigned int TxLEDMode, bool FLOW, bool ULOAD, bool SSPND)</code> <a href="#">Section 2.3.1.4</a>
<code>bool SimpleIOClass::fnHardwareFlowControl (unsigned int onOff)</code> <a href="#">Section 2.3.1.5</a>

**Note 1:** Prior to any DLL API usage, a call to the `InitMCP2200()` function is needed. This function is the only initialization function in the presented DLL.

**2:** The configuration only needs to be set a single time – it is stored in NVM.

**TABLE 2-2: CONFIGURATION FUNCTIONS (CONTINUED)**

Category and Function Name	
<b>Summary (Continued)</b>	
bool SimpleIOClass::fnRxLED (unsigned int mode)	<a href="#">Section 2.3.1.6</a>
bool SimpleIOClass::fnSetBaudRate (unsigned long BaudRateParam)	<a href="#">Section 2.3.1.7</a>
bool SimpleIOClass::fnSuspend(unsigned int onOff)	<a href="#">Section 2.3.1.8</a>
bool SimpleIOClass::fnTxLED (unsigned int mode)	<a href="#">Section 2.3.1.9</a>
bool SimpleIOClass::fnULoad(unsigned int onOff)	<a href="#">Section 2.3.1.10</a>
String^ SimpleIOClass::GetDeviceInfo(unsigned int uiDeviceNo)	<a href="#">Section 2.3.1.11</a>
unsigned int SimpleIOClass::GetNoOfDevices(void)	<a href="#">Section 2.3.1.12</a>
int SimpleIOClass::GetSelectedDevice(void)	<a href="#">Section 2.3.1.13</a>
String^ SimpleIOClass::GetSelectedDeviceInfo(void)	<a href="#">Section 2.3.1.14</a>
void SimpleIOClass::InitMCP2200 (unsigned int VendorID, unsigned int ProductID)	<a href="#">Section 2.3.1.15</a>
bool SimpleIOClass::IsConnected()	<a href="#">Section 2.3.1.16</a>
int SimpleIOClass::ReadEEPROM(unsigned int uiEEPAddress)	<a href="#">Section 2.3.1.17</a>
bool SimpleIOClass::ReadPin(unsigned int pin, unsigned int *returnValue)	<a href="#">Section 2.3.1.18</a>
int SimpleIOClass::ReadPinValue(unsigned int pin)	<a href="#">Section 2.3.1.19</a>
bool SimpleIOClass::ReadPort(unsigned int *returnValue)	<a href="#">Section 2.3.1.20</a>
int SimpleIOClass::ReadPortValue()	<a href="#">Section 2.3.1.21</a>
int SimpleIOClass::SelectDevice(unsigned int uiDeviceNo)	<a href="#">Section 2.3.1.22</a>
bool SimpleIOClass::SetPin(unsigned int pin)	<a href="#">Section 2.3.1.23</a>
int SimpleIOClass::WriteEEPROM(unsigned int uiEEPAddress, unsigned char ucValue)	<a href="#">Section 2.3.1.24</a>
bool SimpleIOClass::WritePort(unsigned int portValue)	<a href="#">Section 2.3.1.25</a>
<b>Constants</b>	
const unsigned int OFF = 0;	
const unsigned int ON = 1;	
const unsigned int TOGGLE = 3;	
const unsigned int BLINKSLOW = 4;	
const unsigned int BLINKFAST = 5;	

**Note 1:** Prior to any DLL API usage, a call to the `InitMCP2200()` function is needed. This function is the only initialization function in the presented DLL.

**2:** The configuration only needs to be set a single time – it is stored in NVM.

### 2.3.1.1 ClearPin

Function:

```
bool SimpleIOClass::ClearPin (unsigned int pin)
```

**Summary:** Clears the specified pin.

**Description:** Clears the specified pin to logic '0'.

**Precondition:** This pin must be previously configured as an output via a `ConfigureIO` or `ConfigureIoDefaultOutput` call.

**Parameters:** `pin` - The pin number to set (0-7).

**Returns:** This function returns True if the transmission is successful and returns False if the transmission fails.

**Remarks:** None

#### EXAMPLE 2-1:

```
if (SimpleIOClass::ClearPin (2))
{
    lblStatusBar->Text = "Success";
}
else
    lblStatusBar->Text = "Invalid command " + SimpleIOClass::LastError;
```

# MCP2200

---

## 2.3.1.2 ConfigureIO

### Function:

```
bool SimpleIOClass::ConfigureIO (unsigned char IOMap)
```

**Summary:** Configures the GPIO pins for Digital Input or Digital Output.

**Description:** GPIO Pins can be configured as Digital Input or Digital Output.

**Precondition:** VID and PID must be previously set via a call to `InitMCP2200(VID, PID)`.

### Parameters:

`IOMap` - a byte that represents a bitmap of the GPIO configuration:

- a bit set to '1' will be a digital input
- a bit set to '0' will be a digital output
- MSB - - - - - LSB  
GP7 GP6 GP5 GP4 GP3 GP2 GP1 GP0

**Returns:** This function returns True if the transmission is successful and returns False if the transmission fails.

**Remarks:** Error code is returned in `LastError`.

### EXAMPLE 2-2:

```
if (SimpleIOClass::ConfigureIO(0xA5) == SUCCESS)
    lblStatusBar->Text = "Success";
else
    lblStatusBar->Text = "Invalid command " + SimpleIOClass::LastError;
```

## 2.3.1.3 ConfigureIODefaultOutput

### Function:

```
bool SimpleIOClass::ConfigureIoDefaultOutput (unsigned char ucIoMap, unsigned char ucDefValue)
```

**Summary:** Configures the IO pins for Digital Input, Digital Output and also the default output latch value.

**Description:** IO Pins can be configured as Digital Input or Digital Output. The default output latch value is received as a parameter.

**Precondition:** VID and PID must be previously set via a call to `InitMCP2200(VID, PID)`.

### Parameters:

1. `ucIoMap` - a byte that represents a bitmap used to set the GPIOs as either input or output.
  - '1' configures GPIO as input
  - '0' configures GPIO as output
  - MSB - - - - - LSB  
GP7 GP6 GP5 GP4 GP3 GP2 GP1 GP0
2. `ucDefValue` - the default value that will be loaded to the output latch (affects only the pins configured as outputs).

**Returns:** This function returns True if the transmission is successful and returns False if the transmission fails.

**Remarks:** Error code is returned in `LastError`.

### EXAMPLE 2-3:

```
if (SimpleIOClass::ConfigureIoDefaultOutput(IoMap, DefValue) == SUCCESS)
    lblStatusBar->Text = "Success";
else
    lblStatusBar->Text = "Invalid command " + SimpleIOClass::LastError;
```

## 2.3.1.4 ConfigureMCP2200

### Function:

```
bool SimpleIOClass::ConfigureIoDefaultOutput (unsigned long BaudRateParam, unsigned int RxLEDMode, unsigned int TxLEDMode, bool FLOW, bool ULOAD, bool SSPND)
```

**Summary:** Configures the device.

**Description:** Sets the default GPIO designation, baud rate, TX/RX LED modes, flow control.

**Precondition:** VID and PID must be previously set via a call to `InitMCP2200(VID, PID)`.

### Parameters:

1. `IOMap` - A byte that represents the input/output state of the pins (each bit may be either a '1' for input or '0' for output).
2. `BaudRateParam` - the default communication baud rate.
3. `RxLEDMode` - can take one of the constant values (`OFF`, `ON`, `TOGGLE`, `BLINKSLOW`, `BLINKFAST`) to define the behavior of the Rx LED.
  - `OFF = 0`
  - `ON = 1`
  - `TOGGLE = 3`
  - `BLINKSLOW = 4`
  - `BLINKFAST = 5`
4. `TxLEDMode` - can take one of the defined values (`OFF`, `ON`, `TOGGLE`, `BLINKSLOW`, `BLINKFAST`) in order to define the behavior of the Tx LED.
5. `FLOW` - this parameter establishes the default flow control method (False - no HW flow control, True -  $\overline{RTS}/\overline{CTS}$  flow control).
6. `ULOAD` - this parameter establishes when the USB has loaded the configuration.
7. `SSPND` - this parameter establishes when the USB sends the Suspend mode signal.

**Returns:** This function returns True if the transmission is successful and returns False if the transmission fails.

**Remarks:** None.

### EXAMPLE 2-4:

```
if (SimpleIOClass::ConfigureMCP2200(0x43, 9600, BLINKSLOW, BLINKFAST, false, false, false) == SUCCESS)
    lblStatusBar->Text = "Success";
else
    lblStatusBar->Text = "Invalid command "
```

## 2.3.1.5 fnHardwareFlowControl

### Function:

```
bool SimpleIOClass::fnHardwareFlowControl (unsigned int onOff)
```

**Summary:** Configures the flow control of the MCP2200. The flow control configuration will be stored in NVRAM.

**Description:** Sets the flow control to HW flow control ( $\overline{RTS}/\overline{CTS}$ ) or no flow control.

**Precondition:** VID and PID must be previously set via a call to `InitMCP2200(VID, PID)`.

**Parameters:** `onOff`:

- '1' if HW flow control is required
- '0' if no flow control is required

**Returns:** This function returns True if the transmission is successful and returns False if the transmission fails.

**Remarks:** Error code is returned in `LastError`.

### EXAMPLE 2-5:

```
if (SimpleIOClass::fnHardwareFlowControl(1) == SUCCESS)
    lblStatusBar->Text = "Success";
else
    lblStatusBar->Text = "Invalid command " + SimpleIOClass::LastError;
```

# MCP2200

---

## 2.3.1.6 fnRxLED

### Function:

```
bool SimpleIOClass::fnRxLED (unsigned int mode)
```

- Summary:** Configures the Rx LED mode. Rx LED configuration will be stored in NVRAM.
- Description:** Sets the Rx LED mode to one of the possible values.
- Precondition:** VID and PID must be previously set via a call to `InitMCP2200(VID, PID)`.
- Parameters:** `mode` (constant): OFF, TOGGLE, BLINKSLOW, BLINKFAST
- Returns:** This function returns True if the transmission is successful and returns False if the transmission fails.
- Remarks:** Error code is returned in `LastError`.

### EXAMPLE 2-6:

```
if (SimpleIOClass::fnRxLED (BLINKFAST) == SUCCESS)
    lblStatusBar->Text = "Success";
else
    lblStatusBar->Text = "Invalid command " + SimpleIOClass::LastError;
```

## 2.3.1.7 fnSetBaudRate

### Function:

```
bool SimpleIOClass::fnSetBaudRate (unsigned long BaudRateParam)
```

- Summary:** Configures the device's default baud rate. The baud rate value will be stored in NVRAM.
- Description:** Sets the desired baud rate and it stores it into the device's NVRAM.
- Precondition:** VID and PID must be previously set via a call to `InitMCP2200(VID, PID)`.
- Parameters:** `BaudRateParam` - the desired baud rate value
- Returns:** This function returns True if the transmission is successful and returns False if the transmission fails.
- Remarks:** Error code is returned in `LastError`. This function is used only to set the default power-up baud rate value. When used with a terminal program, there is no need to call this function to change the baud rate. Changing the baud rate from the terminal program will send the appropriate CDC packet that will change the communication's baud rate without the need to call this function.

### EXAMPLE 2-7:

```
if (SimpleIOClass::fnSetBaudRate(9600) == SUCCESS)
    lblStatusBar->Text = "Success";
else
    lblStatusBar->Text = "Invalid command " + SimpleIOClass::LastError;
```

## 2.3.1.8 fnSuspend

### Function:

```
bool SimpleIOClass::fnSuspend (unsigned int onOff)
```

- Summary:** Configures the GP0 pin of the MCP2200 to show the status of the USB Suspend/Resume states.
- Description:** When the GP0 is designated to show the USB Suspend/Resume states, the pin will go 'low' when the Suspend state is issued, or will go 'high' when the Resume state is on.
- Precondition:** VID and PID must be previously set via a call to `InitMCP2200(VID, PID)`.
- Parameters:** `onOff`:
- '1' GP0 will reflect the USB Suspend/Resume states
  - '0' GP0 will not reflect the USB Suspend/Resume states (can be used as GPIO)
- Returns:** This function returns True if the transmission is successful and returns False if the transmission fails.
- Remarks:** Error code is returned in `LastError`.



## EXAMPLE 2-8:

```
if (SimpleIOClass::fnSuspend(1) == SUCCESS)
    lblStatusBar->Text = "Success";
else
    lblStatusBar->Text = "Invalid command " + SimpleIOClass::LastError;
```

### 2.3.1.9 fnTxLED

#### Function:

```
bool SimpleIOClass::fnTxLED (unsigned int mode)
```

**Summary:** Configures the Tx LED mode. Tx LED configuration will be stored in NVRAM.

**Description:** Sets the Tx LED mode to one of the possible values.

**Precondition:** VID and PID must be previously set via a call to `InitMCP2200(VID, PID)`.

**Parameters:** mode (constant): OFF, TOGGLE, BLINKSLOW, BLINKFAST

**Returns:** This function returns True if the transmission is successful and returns False if the transmission fails.

**Remarks:** Error code is returned in `LastError`.

## EXAMPLE 2-9:

```
if (SimpleIOClass::fnTxLED (BLINKSLOW) == SUCCESS)
    lblStatusBar->Text = "Success";
else
    lblStatusBar->Text = "Invalid command " + SimpleIOClass::LastError;
```

### 2.3.1.10 fnULoad

#### Function:

```
bool SimpleIOClass::fnULoad (unsigned int onOff)
```

**Summary:** Configures the GP1 pin of the MCP2200 to show the configuration status of the USB.

**Description:** When the GP1 is designated to show the USB configuration status, the pin will start 'low' (during power-up or after Reset), and it will go 'high' after the MCP2200 is successfully configured by the host.

**Precondition:** VID and PID must be previously set via a call to `InitMCP2200(VID, PID)`.

**Parameters:** onOff:

- '1' GP1 will reflect the USB configuration status
- '0' GP1 will not reflect the USB configuration status (can be used as GPIO)

**Returns:** This function returns True if the transmission is successful and returns False if the transmission fails.

**Remarks:** Error code is returned in `LastError`.

## EXAMPLE 2-10:

```
if (SimpleIOClass::fnULoad(1) == SUCCESS)
    lblStatusBar->Text = "Success";
else
    lblStatusBar->Text = "Invalid command " + SimpleIOClass::LastError;
```

# MCP2200

---

## 2.3.1.11 GetDeviceInfo

### Function:

```
String^ SimpleIOClass::GetDeviceInfo (unsigned int uiDeviceNo)
```

**Summary:** Returns the path name for one of the connected devices.

**Description:** The function will return the path name for the given device ID.

**Precondition:** At least one call to the `InitMCP2200()` is required in order to initiate a DLL search for the compatible devices.

VID and PID must be previously set via a call to `InitMCP2200(VID, PID)`.

**Parameters:** `uiDeviceNo`: The device ID for which the path information is needed. Can have a value between 0 and the number of devices minus 1.

**Returns:** This function returns a string containing the path name of the given device id.

- In the case the given ID is out of range, the function will return the "Device Index Error" string.
- In the case the device for which the path name is required is not connected anymore, the return string will be "Device Not Connected".

**Remarks:** None.

### EXAMPLE 2-11:

```
lblStatusBar->Text = SimpleIOClass::GetDeviceInfo(0);
```

## 2.3.1.12 GetNoOfDevices

### Function:

```
unsigned int SimpleIOClass::GetNoOfDevices(void)
```

**Summary:** The function returns the number of available devices present in the system.

**Description:** The function returns the number of HID devices (with the given VID/PID) connected to the system.

**Precondition:** At least one call to the `InitMCP2200()` is required in order to initiate a DLL search for the compatible devices. Also, in order to know the actual number of devices connected to the system, call the `SimpleIOClass::IsConnected()` function. VID and PID must be previously set via a call to `InitMCP2200(VID, PID)`.

**Parameters:** None.

**Returns:** This function returns the number of HID devices with the given VID/PID (as parameters of the `SimpleIOClass::InitMCP2200()` function).

**Remarks:** Call the `SimpleIOClass::IsConnected()` function prior to the call of this function in order to have the most recent number of devices that are present in the system.

### EXAMPLE 2-12:

```
SimpleIOClass::IsConnected(); //call this function to refresh the number of
//the devices present in the system
lblStatusBar->Text = SimpleIOClass::GetNoOfDevices();
```

## 2.3.1.13 GetSelectedDevice

### Function:

```
int SimpleIOClass::GetSelectedDevice(void)
```

**Summary:** Returns the ID of the selected device.

**Description:** The function returns the ID of the current selected device.

**Precondition:** At least one call to the `InitMCP2200()` is required in order to initiate a DLL search for the compatible devices. VID and PID must be previously set via a call to `InitMCP2200(VID, PID)`.

**Parameters:** None.

**Returns:** This function returns the ID of the current selected device. Its value can range from 0 to the number of devices minus 1.

**Remarks:** None.

## EXAMPLE 2-13:

```
lblStatusBar->Text = SimpleIOClass::GetSelectedDevice();
```

### 2.3.1.14 GetSelectedDeviceInfo

#### Function:

```
String^ SimpleIOClass::GetSelectedDeviceInfo(void)
```

**Summary:** Returns the selected device path name.

**Description:** The function returns a string containing the unique path name of the selected device.

**Precondition:** At least one call to the `InitMCP2200()` is required in order to initiate a DLL search for the compatible devices. VID and PID must be previously set via a call to `InitMCP2200(VID, PID)`.

**Parameters:** None.

**Returns:** This function returns a string containing the unique path name of the selected device.

**Remarks:** The default selected device is the first one that the DLL finds. If the user wants to retrieve other devices path names (assuming more than one device is present in the system), a call to `SimpleIOClass::SelectDevice(deviceNo)` is required.

## EXAMPLE 2-14:

```
lblStatusBar->Text = SimpleIOClass::GetSelectedDeviceInfo(void)
```

### 2.3.1.15 InitMCP2200

#### Function:

```
void SimpleIOClass::InitMCP2200 (unsigned int VendorID, unsigned int ProductID)
```

**Summary:** Configures the Simple IO class for a specific Vendor and Product ID.

**Description:** Sets the Vendor and Product ID used for the project.

**Precondition:** None.

**Parameters:**

1. `Vendor ID` - assigned by USB IF ([www.usb.org](http://www.usb.org))
2. `Product ID` - assigned by the Vendor ID Holder

**Returns:** None.

**Remarks:** Call this function before any other calls, to set the Vendor and Product IDs.

## EXAMPLE 2-15:

```
InitMCP2200 (0x4D8, 0x00DF);
```

### 2.3.1.16 IsConnected

#### Function:

```
bool SimpleIOClass::IsConnected()
```

**Summary:** Checks with the OS if the current VID/PID device is connected.

**Description:** Checks if a MCP2200 device is connected to the computer. If so, it returns True; otherwise, the result will be False.

**Precondition:** VID and PID must be previously set via a call to `InitMCP2200(VID, PID)`.

**Parameters:** None.

**Returns:** True - if at least one device is connected to the host.  
False - if there are no devices connected to the host.

**Remarks:** No actual communication with the end device is occurring. The function inquires the OS if the specified VID/PID was enumerated.

# MCP2200

---

## EXAMPLE 2-16:

```
unsigned int rv;
if (SimpleIOClass::IsConnected ())
{
    lblStatusBar->Text = "Device connected";
}
else
    lblStatusBar->Text = "Device Disconnected";
```

### 2.3.1.17 ReadEEPROM

Function:

```
int SimpleIOClass::ReadEEPROM (unsigned int uiEEPAddress)
```

Summary: Reads a byte from the EEPROM.

Description: Reads a byte from the EEPROM at the given address.

Precondition: At least one call to the `InitMCP2200()` is required in order to initiate a DLL search for the compatible devices. VID and PID must be previously set via a call to `InitMCP2200(VID, PID)`.

Parameters: `uiEEPAddress` - the EEPROM address location we need to write to (must be from 0 to 255, inclusively).

Returns: This function returns any positive value as being the EEPROM's location value:

- `E_WRONG_ADDRESS (-3)` - in case the given EEPROM address is out of range
- `E_CANNOT_SEND_DATA (-4)` - in case the function cannot send the command to the device

Remarks: None.

## EXAMPLE 2-17:

```
int iRetVal = SimpleIOClass::ReadEEPROM(0x01);
if (iRetVal >= 0)
{
    lblStatusBar->Text = "Success";
}
else
    lblStatusBar->Text = "Error reading to EEPROM" + SimpleIOClass::LastError;
```

### 2.3.1.18 ReadPin

Function:

```
bool SimpleIOClass::ReadPin (unsigned int pin, unsigned int *returnvalue)
```

Summary: Reads the specified pin.

Description: Reads the specified pin and returns the value in `returnvalue`. If the pin has been configured as a digital input, the return value will be either '0' or '1'.

Precondition: Must be previously configured as an input via a `ConfigureIO` call. VID and PID must be previously set via a call to `InitMCP2200(VID, PID)`.

Parameters:

- `pin` - the pin number to set (0-7)
- `returnvalue` - the value read on the pin ('0' or '1')

Returns: This function returns True if the transmission is successful and returns False if the transmission fails.

Remarks: None.

## EXAMPLE 2-18:

```
unsigned int rv;
if (SimpleIOClass::ReadGPIOOn (0, &rv))
{
    lblStatusBar->Text = "Success";
}
else
    lblStatusBar->Text = "Invalid command " + SimpleIOClass::LastError;
```

## 2.3.1.19 ReadPinValue

### Function:

```
int SimpleIOClass::ReadPinValue(unsigned int pin)
```

**Summary:** Reads the specified pin.

**Description:** Reads the specified pin and returns the value as the return value. If the pin has been configured as a digital input, the return value will be either '0' or '1'. If an error occurs, the function will return a value of 0x8000.

**Precondition:** Must be previously configured as an input via a `ConfigureIO` call. VID and PID must be previously set via a call to `InitMCP2200(VID, PID)`.

**Parameters:** `pin` - the pin number to set (0-7)

**Returns:** This function returns the read value of the pin, or returns a value of 0x8000, if an error occurs.

**Remarks:** None.

### EXAMPLE 2-19:

```
unsigned int rv;
if (SimpleIOClass::ReadPinValue(0) != 0x8000)
{
    lblStatusBar->Text = "Success";
}
else
    lblStatusBar->Text = "Invalid command " + SimpleIOClass::LastError;
```

## 2.3.1.20 ReadPort

### Function:

```
bool SimpleIOClass::ReadPort(unsigned int *returnvalue)
```

**Summary:** Reads the GPIO port as digital input.

**Description:** Reads the GPIO port and returns the value in `returnvalue`. This provides a means to read all pins simultaneously, instead of one-by-one.

**Precondition:** Must be previously configured as an input via a `ConfigureIO` call. VID and PID must be previously set via a call to `InitMCP2200(VID, PID)`.

**Parameters:**

- `pin` - the pin number to set (0-7)
- `returnvalue` - the value read on the pin ('0' or '1')

**Returns:** This function returns True if the transmission is successful and returns False if the transmission fails.

**Remarks:** Pins configured for output return the current state of the port. Pins configured as input read as zero.

### EXAMPLE 2-20:

```
unsigned int rv;
if (SimpleIOClass::ReadGPIOPort (0, &rv))
{
    lblStatusBar->Text = "Success";
}
else
    lblStatusBar->Text = "Invalid command " + SimpleIOClass::LastError;
```

# MCP2200

---

## 2.3.1.21 ReadPortValue

### Function:

```
int SimpleIOClass::ReadPortValue()
```

**Summary:** Reads the GPIO port as digital input.

**Description:** Reads the GPIO port and returns the value of the port. This provides a method to read all pins simultaneously, instead of one-by-one. In case of an error, the returned value will be 0x8000.

**Precondition:** Must be previously configured as an input via a `ConfigureIO` call. VID and PID must be previously set via a call to `InitMCP2200(VID, PID)`.

**Parameters:** None.

**Returns:** This function returns True if the transmission is successful and returns False if the transmission fails.

**Remarks:** Pins configured for output return the current state of the port. Pins configured as input read as zero.

### EXAMPLE 2-21:

```
int rv;
rv = SimpleIOClass::ReadPortValue()
if (rv != 0x8000)
{
    lblStatusBar->Text = "Success";
}
else
    lblStatusBar->Text = "Invalid command " + SimpleIOClass::LastError;
```

## 2.3.1.22 SelectDevice

### Function:

```
int SimpleIOClass::SelectDevice(unsigned int uiDeviceNo)
```

**Summary:** Selects one of the active devices in the system.

**Description:** The function is used to select one of the detected devices in the system as the "active device".

**Precondition:** At least one call to the `InitMCP2200()` is required in order to initiate a DLL search for the compatible devices. Also, in order to know the actual number of devices in the system, call the `SimpleIOClass::IsConnected()` function. VID and PID must be previously set via a call to `InitMCP2200(VID, PID)`.

**Parameters:** `uiDeviceNo` - the ID of the device to be selected (can have a value between 0 and the number of devices minus 1).

**Returns:** This function returns '0' in case of selection success, otherwise it will return:

- `E_WRONG_DEVICE_ID (-1)` for a device ID that is out of range
- `E_INACTIVE_DEVICE (-2)` for an inactive device.

**Remarks:** Call the `SimpleIOClass::IsConnected()` prior to the call of this function in order to have the most recent number of devices that are present in the system.

### EXAMPLE 2-22:

```
int iResult;
iResult = SimpleIOClass::SelectDevice(1)
if (iResult == 0)
{
    lblStatusBar->Text = "Success";
}
else
    lblStatusBar->Text = "Error selecting device";
```

## 2.3.1.23 SetPin

### Function:

```
bool SimpleIOClass::SetPin(unsigned int pin)
```

**Summary:** Sets the specified pin.

**Description:** Sets the specified pin to logic '1'.

**Precondition:** Must be previously configured as an output via a `ConfigureIO` or `ConfigureIoDefaultOutput` call. VID and PID must be previously set via a call to `InitMCP2200(VID, PID)`.

**Parameters:** `pin` - the pin number to set (0-7)

**Returns:** This function returns True if the transmission is successful and returns False if the transmission fails.

**Remarks:** None.

### EXAMPLE 2-23:

```
if (SimpleIOClass::SetPin (2))
{
    lblStatusBar->Text = "Success";
}
else
    lblStatusBar->Text = "Invalid command " + SimpleIOClass::LastError;
```

## 2.3.1.24 WriteEEPROM

### Function:

```
int SimpleIOClass::WriteEEPROM(unsigned int uiEEPAddress, unsigned char ucValue)
```

**Summary:** Writes a byte into the MCP2200 device's EEPROM.

**Description:** Writes a byte at the given address into the internal 256 bytes EEPROM.

**Precondition:** At least one call to the `InitMCP2200()` is required in order to initiate a DLL search for the compatible devices. VID and PID must be previously set via a call to `InitMCP2200(VID, PID)`.

**Parameters:**

- `uiEEPAddress` - the EEPROM address location to write to (must be from 0 to 255 inclusively).
- `ucValue` - the byte value required for writing to the given location.

**Returns:** This function returns '0' if the write command was successfully sent to the device, otherwise it returns:

- `E_WRONG_ADDRESS (-3)` in case the given EEPROM address is out of range
- `E_CANNOT_SEND_DATA (-4)` in case the function cannot send the command to the device.

**Remarks:** The function will send the write EEPROM command, but has no confirmation whether the EEPROM location was actually written. In order to verify the correctness of the EEPROM write, the user can issue a `SimpleIOClass::ReadEEPROM()` and check if the returned value matches the written one.

### EXAMPLE 2-24:

```
int iRetVal = SimpleIOClass::WriteEEPROM(0x01, 0xAB);

if (iRetVal == 0)
{
    lblStatusBar->Text = "Success";
}
else
    lblStatusBar->Text = "Error writting to EEPROM" + SimpleIOClass::LastError;
```

# MCP2200

---

## 2.3.1.25 WritePort

### Function:

```
bool SimpleIOClass::WritePort(unsigned int portValue)
```

**Summary:** Writes a value to the GPIO port.

**Description:** Writes the GPIO port. This provides a means to write all pins simultaneously, instead of one-by-one.

**Precondition:** Must be previously configured as an output via a `ConfigureIO` call. VID and PID must be previously set via a call to `InitMCP2200(VID, PID)`.

**Parameters:** `portValue` - byte value to set on the port.

**Returns:** This function returns `True` if the transmission is successful and returns `False` if the transmission fails.

**Remarks:** None.

### EXAMPLE 2-25:

```
if (SimpleIOClass::WritePort (0x5A))
{
    lblStatusBar->Text = "Success";
}
else
    lblStatusBar->Text = "Invalid command " + SimpleIOClass::LastError;
```



NOTES:

# MCP2200

## 3.0 Electrical Characteristics

### Absolute Maximum Ratings †

Ambient temperature under bias .....	-40°C to +85°C
Storage temperature .....	-65°C to +150°C
Voltage on VDD with respect to VSS .....	-0.3V to +6.0V
Voltage on MCLR with respect to VSS .....	-0.3V to +9.0V
Voltage on VUSB <sup>(1)</sup> pin with respect to VSS .....	-0.3V to +4.0V
Voltage on D+ and D- pins with respect to VSS .....	-0.3V to (VUSB + 0.3V)
Voltage on all other pins with respect to VSS .....	-0.3V to (VDD + 0.3V)
Total power dissipation <sup>(2)</sup> .....	800 mW
Maximum current out of VSS pin .....	95 mA
Maximum current into VDD pin .....	95 mA
Clamp current, I <sub>K</sub> (V <sub>PIN</sub> < 0 or V <sub>PIN</sub> > VDD).....	± 20 mA
Maximum output current sunk by any I/O pin.....	25 mA
Maximum output current sourced by any I/O pin.....	25 mA
Maximum current sunk by all ports.....	90 mA
Maximum current sourced by all ports .....	90 mA

**Note 1:** V<sub>USB</sub> must always be ≤ V<sub>DD</sub> + 0.3V.

**2:** Power dissipation is calculated as follows:  $P_{DIS} = V_{DD} \times \{I_{DD} - \sum I_{OH}\} + \sum \{(V_{DD} - V_{OH}) \times I_{OH}\} + \sum (V_{OL} \times I_{OL})$ .

† **NOTICE:** Stresses above those listed under “Absolute Maximum Ratings” may cause permanent damage to the device. This is a stress rating only and functional operation of the device at those or any other conditions above those indicated in the operation listings of this specification is not implied. Exposure above maximum rating conditions for extended periods may affect device reliability.

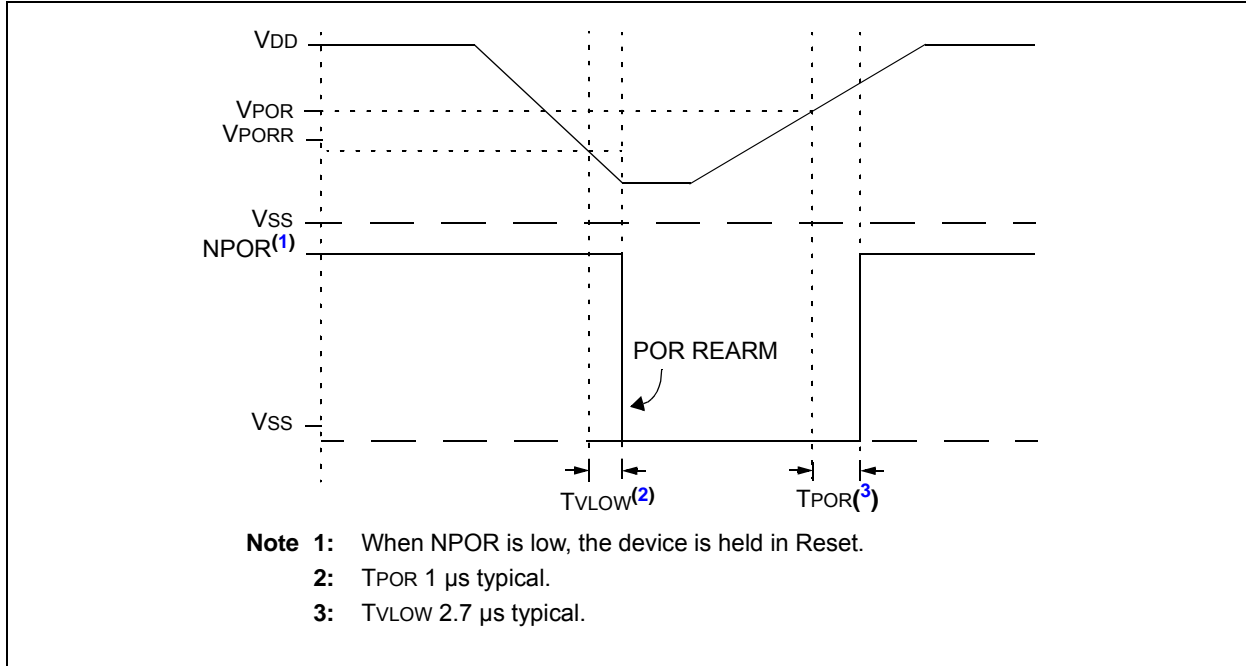
## 3.1 DC Characteristics

DC Characteristics		Operating Conditions (unless otherwise indicated): 3.0V ≤ VDD ≤ 5.5V at -40°C ≤ TA ≤ +85°C (I-Temp)					
Param. No.	Characteristic	Sym.	Min.	Typ.	Max.	Units	Conditions
D001	Supply Voltage	VDD	3.0	—	5.5	V	
	Power-on Reset Release Voltage	VPOR		1.6		V	
	Power-on Reset Rearm Voltage			0.8		V	
D003	VDD Rise Rate to Ensure Power-on Reset	SVDD	0.05	—	—	V/ms	Design guidance only, Not tested
D004	Supply Current	IDD					
	VDD = 3.0V		—	10	12	mA	FOSC = 12 MHz, (330 nF on VUSB)
	VDD = 5.0V		—	13	15	mA	
D005	Standby Current	IDDS	—	9	—	μA	
<b>Input Low-Voltage</b>							
D031	Schmitt Trigger (GPIO)	VIL	—	—	0.2 VDD	V	3.0V ≤ VDD ≤ 5.5V
	TTL ( $\overline{\text{CTS}}$ pin)		—	—	0.8	V	4.5V ≤ VDD ≤ 5.5V
<b>Input High-Voltage</b>							
D041	Schmitt Trigger (GPIO)	VIH	0.8 VDD	—	VDD	V	3.0V ≤ VDD ≤ 5.5V
	TTL ( $\overline{\text{RTS}}$ pin)		2.0	—	VDD	V	4.5V ≤ VDD ≤ 5.5V
<b>Input Leakage Current</b>							
D060	GPIO, $\overline{\text{CTS}}$	IIL	—	±50	±100	nA	VSS ≤ VPIN ≤ VDD, pin at high Z
	$\overline{\text{RST}}$		—	±50	±200	nA	
	OSC1		—	±50	±100	nA	
<b>Output Low-Voltage</b>							
D080	GPIO, UART Tx/Rx	VOL	—	—	0.6	V	IOL = 8.0 mA, VDD = 5.0V
			—	—	0.6	V	IOL = 6.0 mA, VDD = 3.3V
<b>Output High-Voltage</b>							
D090	GPIO, UART Tx/Rx	VOH	VDD - 0.7	—	—	V	IOH = -3.5 mA, VDD = 5.0V
			VDD - 0.7	—	—	V	IOH = -3.0 mA, VDD = 3.3V
<b>Capacitive Loading Specifications on Output Pins</b>							
D101	OSC2	COSC2	—	—	15	pF	<a href="#">Note 1</a>
D102	GPIO	CIO	—	—	50	pF	<a href="#">Note 1</a>

**Note 1:** This parameter is characterized, but not tested.

# MCP2200

**FIGURE 3-1: POR AND POR REARM WITH SLOW RISING VDD**



**TABLE 3-1: USB MODULE SPECIFICATIONS**

DC Characteristics		Operating Conditions (unless otherwise indicated): 3.0V $\leq$ VDD $\leq$ 5.5V at $-40^{\circ}\text{C} \leq \text{TA} \leq +85^{\circ}\text{C}$ (I-Temp)					
Param. No.	Characteristic	Sym.	Min.	Typ.	Max.	Units	Conditions
D313	USB Voltage	VUSB	3.0	—	3.6	V	Voltage on Vusb pin must be in this range for proper USB operation
D314	Input Leakage on Pin	Iil	—	—	$\pm 1$	$\mu\text{A}$	Vss $\leq$ VPIN $\leq$ VDD pin at high-impedance
D315	Input Low Voltage for USB Buffer	Vilusb	—	—	0.8	V	For Vusb range
D316	Input High Voltage for USB Buffer	Vihusb	2.0	—	—	V	For Vusb range
D318	Differential Input Sensitivity	Vdifs	—	—	0.2	V	The difference between D+ and D- must exceed this value while Vcm is met
D319	Differential Common Mode Range	Vcm	0.8	—	2.5	V	
D320	Driver Output Impedance <sup>(1)</sup>	Zout	28	—	44	$\Omega$	
D321	Voltage Output Low	Vol	0.0	—	0.3	V	1.5 k $\Omega$ load connected to 3.6V
D322	Voltage Output High	Voh	2.8	—	3.6	V	1.5 k $\Omega$ load connected to ground

**Note 1:** The D+ and D- signal lines have been built-in impedance matching resistors. No external resistors, capacitors or magnetic components are necessary on the D+/D- signal paths between the MCP2200 family device and the USB cable.

TABLE 3-2: THERMAL CONSIDERATIONS

Standard Operating Conditions (unless otherwise stated)					
Operating temperature: $-40^{\circ}\text{C} \leq T_A \leq +85^{\circ}\text{C}$ (I-Temp)					
Param. No.	Sym.	Characteristic	Typ.	Units	Conditions
TH01	$\theta_{JA}$	Thermal Resistance Junction to Ambient	36.1	$^{\circ}\text{C}/\text{W}$	20-pin VQFN 5x5 mm package
			85.2	$^{\circ}\text{C}/\text{W}$	20-pin SOIC package
			108.1	$^{\circ}\text{C}/\text{W}$	20-pin SSOP package
TH02	$\theta_{JC}$	Thermal Resistance Junction to Case	1.7	$^{\circ}\text{C}/\text{W}$	20-pin VQFN 5x5 mm package
			24	$^{\circ}\text{C}/\text{W}$	20-pin SOIC package
			24	$^{\circ}\text{C}/\text{W}$	20-pin SSOP package
TH03	$T_{JMAX}$	Maximum Junction Temperature	150	$^{\circ}\text{C}$	
TH04	PD	Power Dissipation	—	W	$PD = P_{INTERNAL} + P_{I/O}$
TH05	$P_{INTERNAL}$	Internal Power Dissipation	—	W	$P_{INTERNAL} = I_{DD} \times V_{DD}$ <sup>(1)</sup>
TH06	$P_{I/O}$	I/O Power Dissipation	—	W	$P_{I/O} = \sum (I_{OL} \times V_{OL}) + \sum (I_{OH} \times (V_{DD} - V_{OH}))$
TH07	$P_{DER}$	Derated Power	—	W	$P_{DER} = PD_{MAX} (T_J - T_A) / \theta_{JA}$ <sup>(2,3)</sup>

**Note 1:**  $I_{DD}$  is the current to run the chip alone without driving any load on the output pins.

**2:**  $T_A$  = Ambient Temperature.

**3:**  $T_J$  = Junction Temperature.

# MCP2200

## 3.2 AC Characteristics

### 3.2.1 TIMING PARAMETER SYMBOLOGY

The timing parameter symbols have been created in one of the following formats:

#### 1. TppS2ppS

T		
F	Frequency	
E	Error	

#### 2. TppS

T	Time
---	------

Lowercase letters (pp) and their meanings:

pp			
io	Input or Output pin	osc	Oscillator
rx	Receive	tx	Transmit
bitclk	RX/TX BITCLK	RST	Reset
drt	Device Reset Timer		

Uppercase letters and their meanings:

S			
F	Fall	P	Period
H	High	R	Rise
I	Invalid (high-impedance)	V	Valid
L	Low	Z	High-impedance

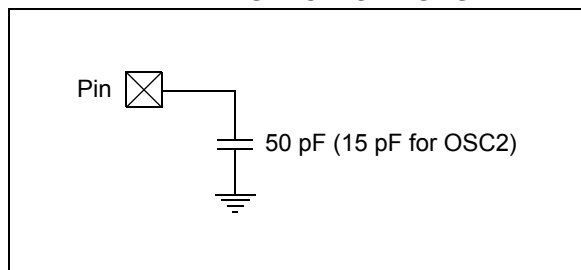
### 3.2.2 TIMING CONDITIONS

The operating temperature and voltage specified in [Table 3-3](#) apply to all timing specifications unless otherwise noted. [Figure 3-2](#) specifies the load conditions for the timing specifications.

**TABLE 3-3: TEMPERATURE AND VOLTAGE SPECIFICATIONS - AC**

<b>AC CHARACTERISTICS</b>	<b>Standard Operating Conditions (unless otherwise stated)</b>
	Operating temperature: $-40^{\circ}\text{C} \leq T_A \leq +85^{\circ}\text{C}$
	Operating voltage $V_{DD}$ range as described in DC spec, <a href="#">Section 3.1 "DC Characteristics"</a> .

**FIGURE 3-2: LOAD CONDITIONS FOR DEVICE TIMING SPECIFICATIONS**



## 3.2.3 TIMING SPECIFICATIONS

**TABLE 3-4: RESET, OSCILLATOR START-UP TIMER AND POWER-UP TIMER PARAMETERS**

Standard Operating Conditions (unless otherwise stated)							
Operating Temperature: $-40^{\circ}\text{C} \leq T_A \leq +85^{\circ}\text{C}$							
Param. No. <sup>(1)</sup>	Sym.	Characteristic	Min.	Typ. <sup>(2)</sup>	Max.	Units	Conditions
30	TRST	$\overline{\text{MCLR}}$ Pulse Width (low)	2	—	—	$\mu\text{s}$	
31	TPWRT	Power-Up Timer	40	65	140	ms	
32	TOST	Oscillator Start-Up Time	—	1024	—	TOST	

**Note 1:** These parameters are characterized but not tested.

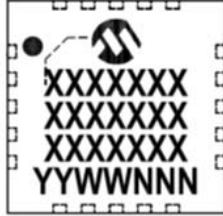
**2:** Data in "Typ." column is at 5V, 25°C unless otherwise stated. These parameters are for design guidance only and are not tested.

# MCP2200

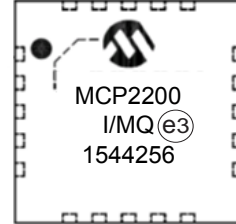
## 4.0 PACKAGING INFORMATION

### 4.1 Package Marking Information

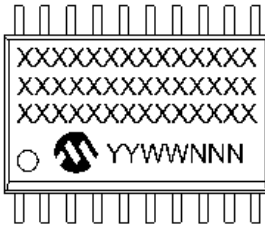
20-lead VQFN (05x05 mm)



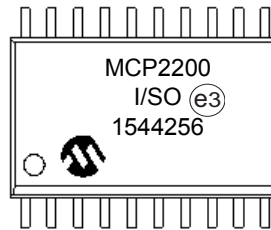
Example:



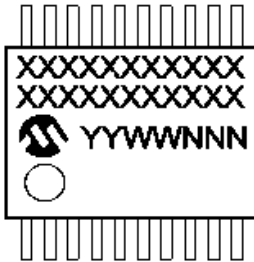
20-Lead SOIC



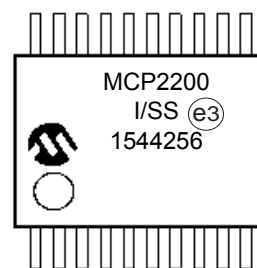
Example:



20-Lead SSOP



Example:



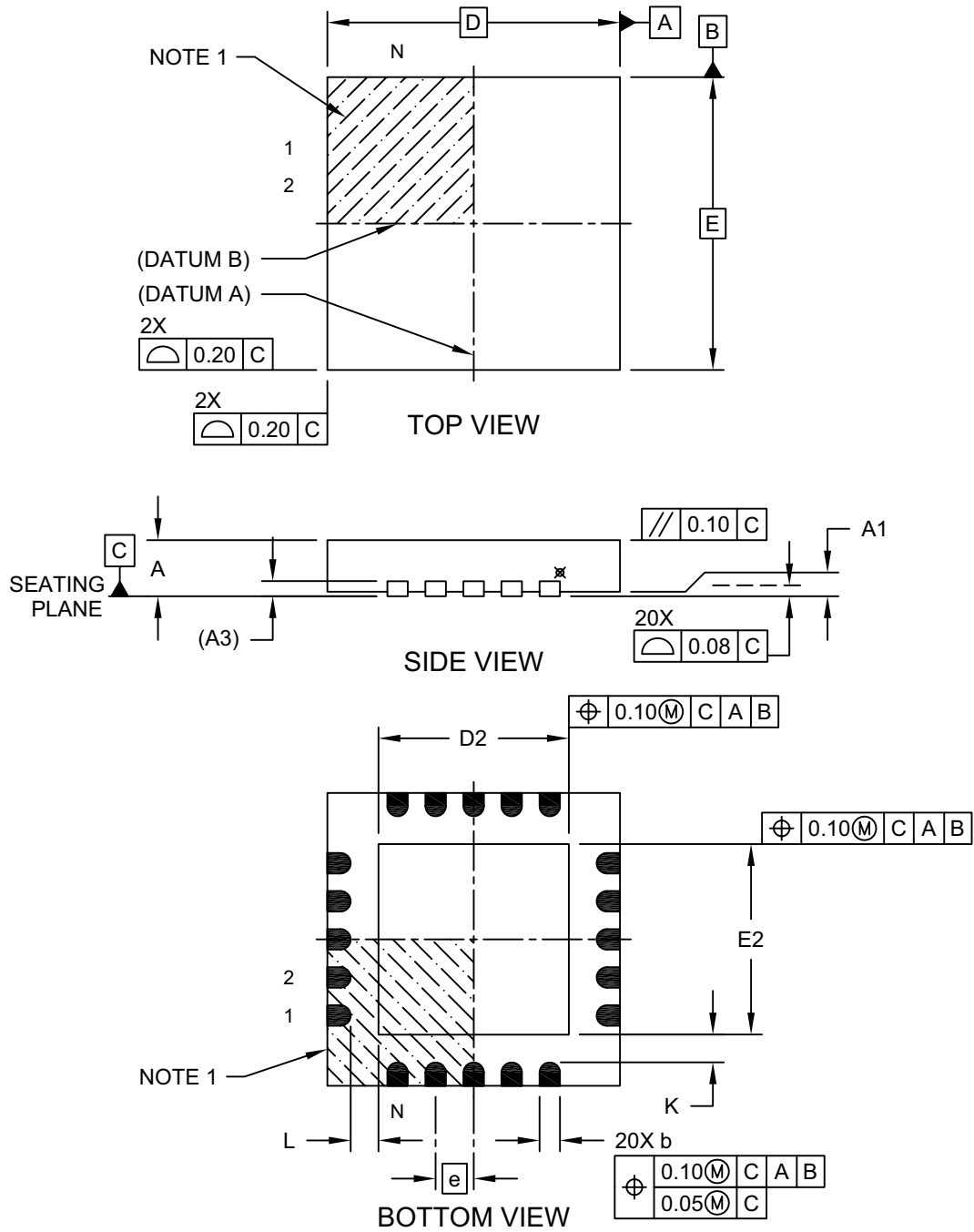
<b>Legend:</b>	XX...X	Customer-specific information
	Y	Year code (last digit of calendar year)
	YY	Year code (last 2 digits of calendar year)
	WW	Week code (week of January 1 is week '01')
	NNN	Alphanumeric traceability code
	(e3)	Pb-free JEDEC® designator for Matte Tin (Sn)
	*	This package is Pb-free. The Pb-free JEDEC® designator (e3) can be found on the outer packaging for this package.

**Note:** In the event the full Microchip part number cannot be marked on one line, it will be carried over to the next line, thus limiting the number of available characters for customer-specific information.



## 20-Lead Plastic Quad Flat, No Lead Package (MQ) – 5x5x1.0 mm Body [VQFN] With 0.40 mm Contact Length

**Note:** For the most current package drawings, please see the Microchip Packaging Specification located at <http://www.microchip.com/packaging>

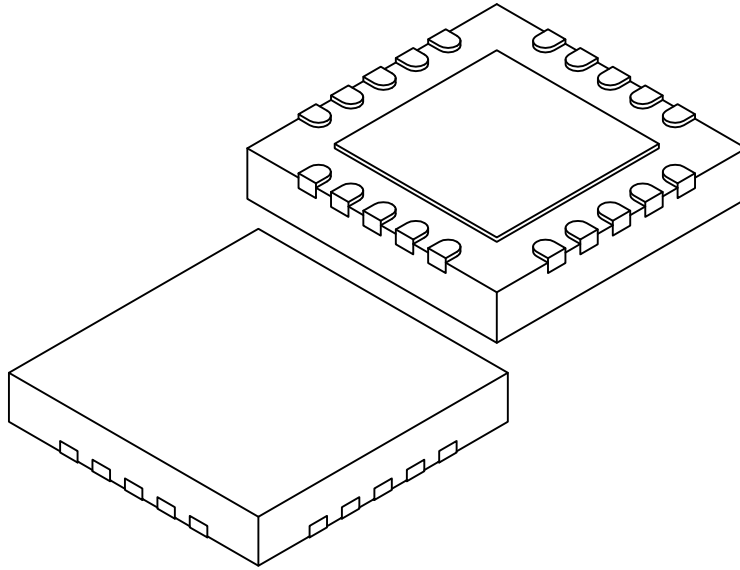


Microchip Technology Drawing C04-139C (MQ) Sheet 1 of 2

# MCP2200

## 20-Lead Plastic Quad Flat, No Lead Package (MQ) – 5x5x1.0 mm Body [VQFN] With 0.40 mm Contact Length

**Note:** For the most current package drawings, please see the Microchip Packaging Specification located at <http://www.microchip.com/packaging>



Dimension Limits	Units	MILLIMETERS		
		MIN	NOM	MAX
Number of Terminals	N	20		
Pitch	e	0.65 BSC		
Overall Height	A	0.80	0.90	1.00
Standoff	A1	0.00	0.02	0.05
Contact Thickness	(A3)	0.20 REF		
Overall Length	D	5.00 BSC		
Exposed Pad Length	D2	3.15	3.25	3.35
Overall Width	E	5.00 BSC		
Exposed Pad Width	E2	3.15	3.25	3.35
Contact Width	b	0.25	0.30	0.35
Contact Length	L	0.35	0.40	0.45
Contact-to-Exposed Pad	K	0.20	-	-

**Notes:**

1. Pin 1 visual index feature may vary, but must be located within the hatched area.
2. Package is saw singulated
3. Dimensioning and tolerancing per ASME Y14.5M

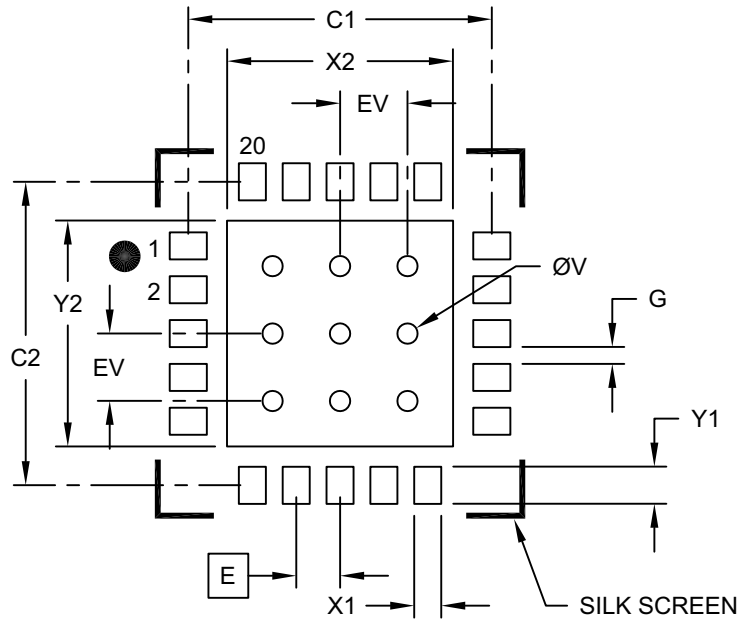
BSC: Basic Dimension. Theoretically exact value shown without tolerances.

REF: Reference Dimension, usually without tolerance, for information purposes only.

Microchip Technology Drawing C04-139C (MQ) Sheet 2 of 2

## 20-Lead Plastic Quad Flat, No Lead Package (MQ) – 5x5x1.0 mm Body [VQFN] With 0.40 mm Contact Length

**Note:** For the most current package drawings, please see the Microchip Packaging Specification located at <http://www.microchip.com/packaging>



### RECOMMENDED LAND PATTERN

Dimension Limits	Units	MILLIMETERS		
		MIN	NOM	MAX
Contact Pitch	E	0.65 BSC		
Optional Center Pad Width	W2			3.35
Optional Center Pad Length	T2			3.35
Contact Pad Spacing	C1		4.50	
Contact Pad Spacing	C2		4.50	
Contact Pad Width (X20)	X1			0.40
Contact Pad Length (X20)	Y1			0.55
Distance Between Pads	G	0.20		
Thermal Via Diameter	V		0.30	
Thermal Via Pitch	EV		1.00	

**Notes:**

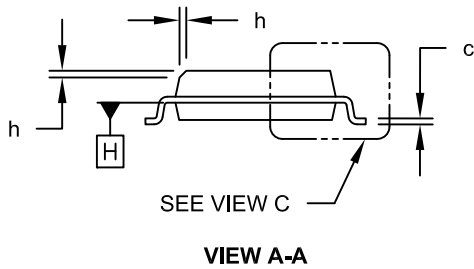
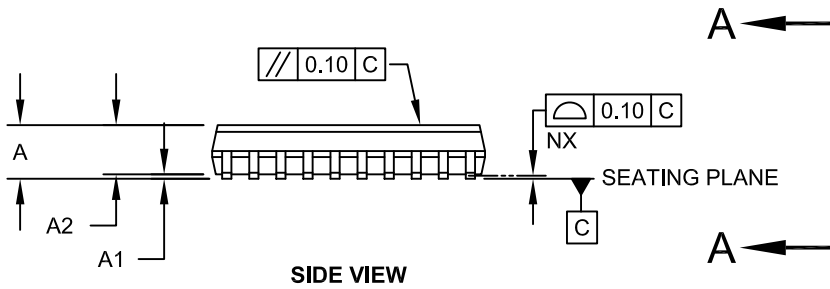
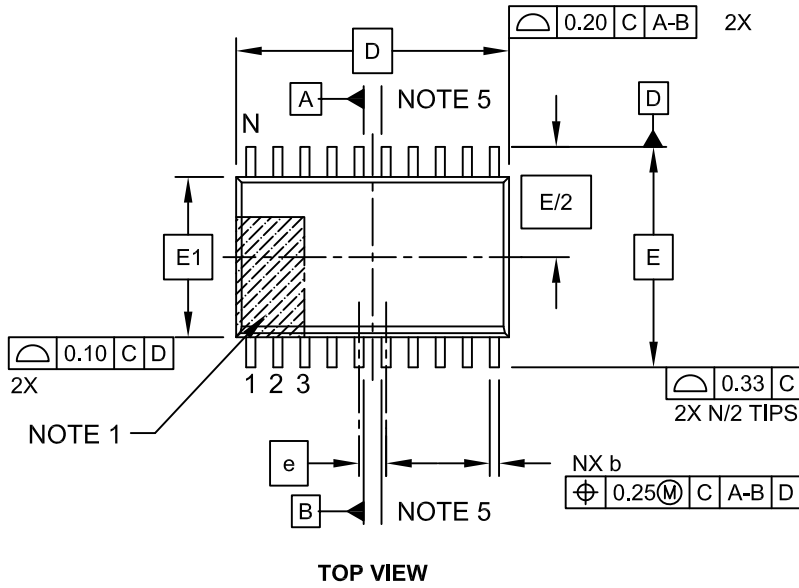
- Dimensioning and tolerancing per ASME Y14.5M  
BSC: Basic Dimension. Theoretically exact value shown without tolerances.
- For best soldering results, thermal vias, if used, should be filled or tented to avoid solder loss during reflow process

Microchip Technology Drawing C04-2139B (MQ)

# MCP2200

## 20-Lead Plastic Small Outline (SO) - Wide, 7.50 mm Body [SOIC]

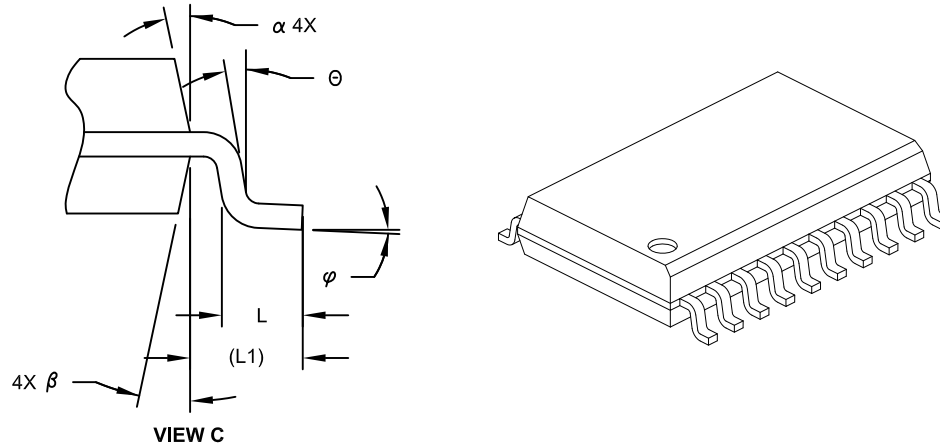
**Note:** For the most current package drawings, please see the Microchip Packaging Specification located at <http://www.microchip.com/packaging>



Microchip Technology Drawing C04-094C Sheet 1 of 2

## 20-Lead Plastic Small Outline (SO) - Wide, 7.50 mm Body [SOIC]

**Note:** For the most current package drawings, please see the Microchip Packaging Specification located at <http://www.microchip.com/packaging>



Dimension Limits	Units	MILLIMETERS		
		MIN	NOM	MAX
Number of Pins	N	20		
Pitch	e	1.27 BSC		
Overall Height	A	-	-	2.65
Molded Package Thickness	A2	2.05	-	-
Standoff §	A1	0.10	-	0.30
Overall Width	E	10.30 BSC		
Molded Package Width	E1	7.50 BSC		
Overall Length	D	12.80 BSC		
Chamfer (Optional)	h	0.25	-	0.75
Foot Length	L	0.40	-	1.27
Footprint	L1	1.40 REF		
Lead Angle	$\Theta$	0°	-	-
Foot Angle	$\varphi$	0°	-	8°
Lead Thickness	c	0.20	-	0.33
Lead Width	b	0.31	-	0.51
Mold Draft Angle Top	$\alpha$	5°	-	15°
Mold Draft Angle Bottom	$\beta$	5°	-	15°

**Notes:**

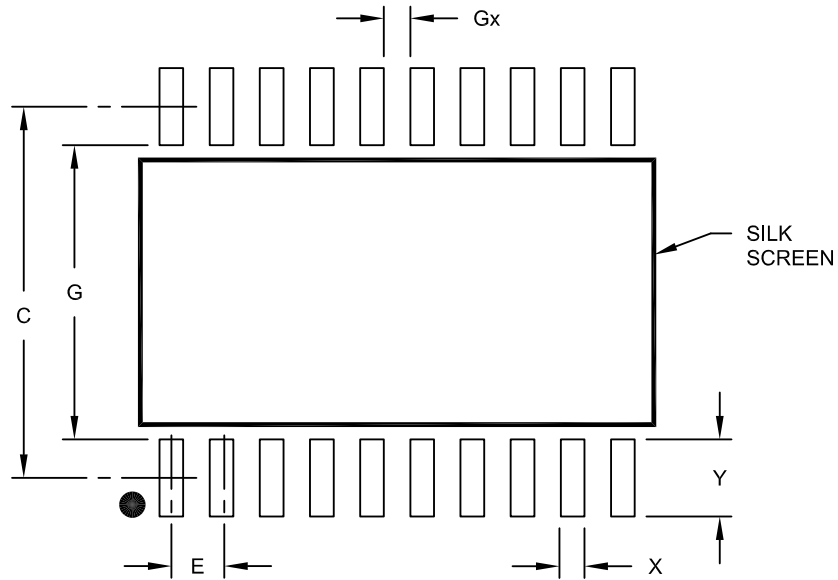
- Pin 1 visual index feature may vary, but must be located within the hatched area.
- § Significant Characteristic
- Dimension D does not include mold flash, protrusions or gate burrs, which shall not exceed 0.15 mm per end. Dimension E1 does not include interlead flash or protrusion, which shall not exceed 0.25 mm per side.
- Dimensioning and tolerancing per ASME Y14.5M  
 BSC: Basic Dimension. Theoretically exact value shown without tolerances.  
 REF: Reference Dimension, usually without tolerance, for information purposes only.
- Datums A & B to be determined at Datum H.

Microchip Technology Drawing No. C04-094C Sheet 2 of 2

# MCP2200

20-Lead Plastic Small Outline (SO) - Wide, 7.50 mm Body [SOIC]

**Note:** For the most current package drawings, please see the Microchip Packaging Specification located at <http://www.microchip.com/packaging>



RECOMMENDED LAND PATTERN

Dimension Limits	Units	MILLIMETERS		
		MIN	NOM	MAX
Contact Pitch	E	1.27 BSC		
Contact Pad Spacing	C		9.40	
Contact Pad Width (X20)	X			0.60
Contact Pad Length (X20)	Y			1.95
Distance Between Pads	Gx	0.67		
Distance Between Pads	G	7.45		

Notes:

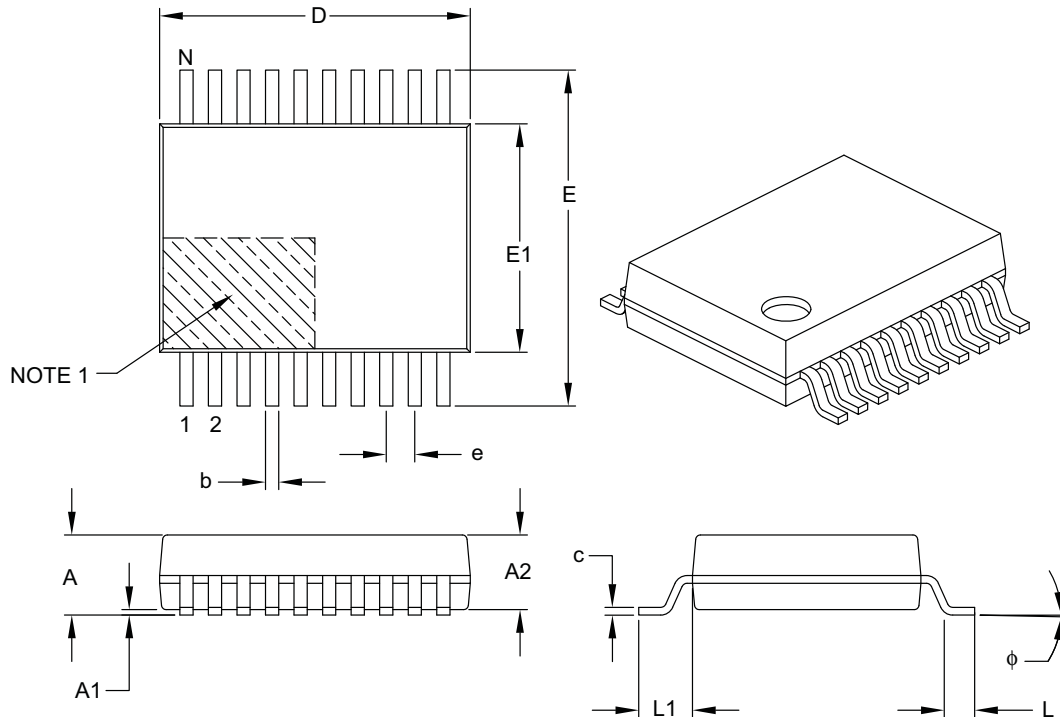
1. Dimensioning and tolerancing per ASME Y14.5M

BSC: Basic Dimension. Theoretically exact value shown without tolerances.

Microchip Technology Drawing No. C04-2094A

## 20-Lead Plastic Shrink Small Outline (SS) – 5.30 mm Body [SSOP]

**Note:** For the most current package drawings, please see the Microchip Packaging Specification located at <http://www.microchip.com/packaging>



Dimension Limits	Units	MILLIMETERS		
		MIN	NOM	MAX
Number of Pins	N	20		
Pitch	e	0.65 BSC		
Overall Height	A	–	–	2.00
Molded Package Thickness	A2	1.65	1.75	1.85
Standoff	A1	0.05	–	–
Overall Width	E	7.40	7.80	8.20
Molded Package Width	E1	5.00	5.30	5.60
Overall Length	D	6.90	7.20	7.50
Foot Length	L	0.55	0.75	0.95
Footprint	L1	1.25 REF		
Lead Thickness	c	0.09	–	0.25
Foot Angle	$\phi$	0°	4°	8°
Lead Width	b	0.22	–	0.38

**Notes:**

- Pin 1 visual index feature may vary, but must be located within the hatched area.
- Dimensions D and E1 do not include mold flash or protrusions. Mold flash or protrusions shall not exceed 0.20 mm per side.
- Dimensioning and tolerancing per ASME Y14.5M.

BSC: Basic Dimension. Theoretically exact value shown without tolerances.

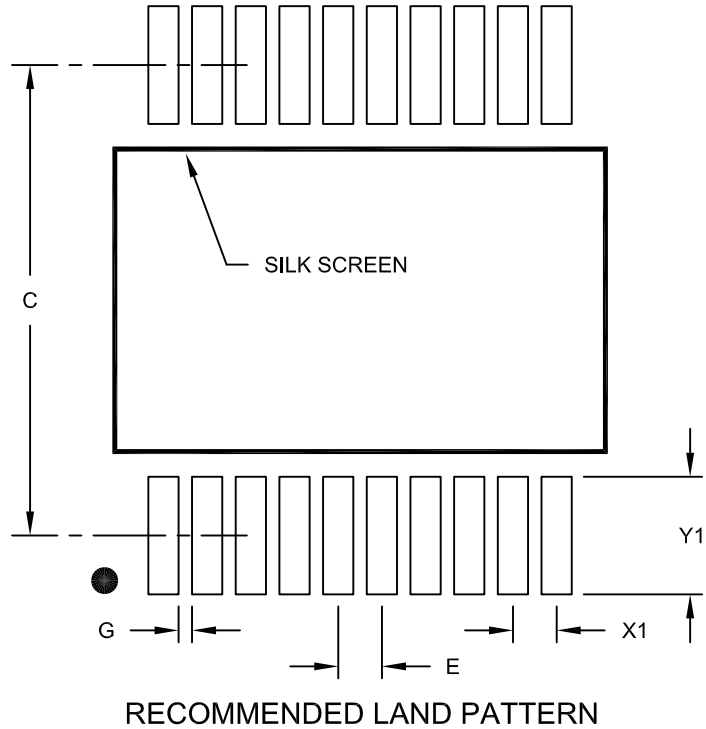
REF: Reference Dimension, usually without tolerance, for information purposes only.

Microchip Technology Drawing C04-072B

# MCP2200

## 20-Lead Plastic Shrink Small Outline (SS) - 5.30 mm Body [SSOP]

**Note:** For the most current package drawings, please see the Microchip Packaging Specification located at <http://www.microchip.com/packaging>



Dimension Limits	Units	MILLIMETERS		
		MIN	NOM	MAX
Contact Pitch	E	0.65 BSC		
Contact Pad Spacing	C		7.20	
Contact Pad Width (X20)	X1			0.45
Contact Pad Length (X20)	Y1			1.75
Distance Between Pads	G	0.20		

**Notes:**

1. Dimensioning and tolerancing per ASME Y14.5M

BSC: Basic Dimension. Theoretically exact value shown without tolerances.

Microchip Technology Drawing No. C04-2072A



## APPENDIX A: REVISION HISTORY

### Revision D (March 2017)

The following is the list of modifications:

1. Updated [Section 1.8.2 “Power-on Reset \(POR\)”](#) and added new [Figure 1-6](#).

### Revision C (December 2015)

The following is the list of modifications:

1. Added Windows<sup>®</sup> 8, Windows 8.1 and Windows 10 to [Features](#) and [Section 1.1 “Supported Operating Systems”](#).

### Revision B (March 2011)

The following is the list of modifications:

1. Added new section [Section 1.5.2](#).
2. Updated entire [Section 2.3 “Simple Configuration and I/O DLL”](#).
3. Added values to parameters TH01 and TH02 for the 20-Lead 5x5 VQFN package in [Table 3-2](#).

### Revision A (March 2010)

Original Release of this Document.

# MCP2200

## PRODUCT IDENTIFICATION SYSTEM

To order or obtain information, e.g., on pricing or delivery, contact your local Microchip sales office.

<u>PART NO.</u>	<u>/X/</u> <sup>(1)</sup>	<u>X</u>	<u>/XX</u>
Device	Tape and Reel Option	Temperature Range	Package
Device:	MCP2200: USB-to-UART serial converter MCP2200T: USB-to-UART serial converter (Tape and Reel)		
Tape and Reel Option:	Blank T	=Standard packaging (tube or tray) =Tape and Reel <sup>(1)</sup>	
Temperature Range:	I	=	-40°C to +85°C (Industrial)
Package:	MQ	=	Plastic Quad Flat, No Lead Package 5x5x1 mm Body (VQFN), 20-Lead
	SO	=	Plastic Small Outline - Wide, 7.50 mm Body (SO), 20-Lead
	SS	=	Plastic Shrink Small Outline - 5.30 mm Body (SS) 20-Lead

**Examples:**

- a) MCP2200- I/MQ: Industrial temperature, 20LD VQFN Package.
- b) MCP2200T- I/MQ: Tape and Reel, Industrial temperature, 20LD VQFN Package.
- c) MCP2200- I/SO: Industrial temperature, 20LD SOIC Package.
- d) MCP2200T- I/SO: Tape and Reel, Industrial temperature, 20LD SOIC Package.
- e) MCP2200- I/SS: Industrial temperature, 20LD SSOP Package.
- f) MCP2200T- I/SS: Tape and Reel, Industrial temperature, 20LD SSOP Package.

**Note 1:** Tape and Reel identifier only appears in the catalog part number description. This identifier is used for ordering purposes and is not printed on the device package. Check with your Microchip Sales Office for package availability with the Tape and Reel option.

---

---

**Note the following details of the code protection feature on Microchip devices:**

- Microchip products meet the specification contained in their particular Microchip Data Sheet.
- Microchip believes that its family of products is one of the most secure families of its kind on the market today, when used in the intended manner and under normal conditions.
- There are dishonest and possibly illegal methods used to breach the code protection feature. All of these methods, to our knowledge, require using the Microchip products in a manner outside the operating specifications contained in Microchip's Data Sheets. Most likely, the person doing so is engaged in theft of intellectual property.
- Microchip is willing to work with the customer who is concerned about the integrity of their code.
- Neither Microchip nor any other semiconductor manufacturer can guarantee the security of their code. Code protection does not mean that we are guaranteeing the product as “unbreakable.”

Code protection is constantly evolving. We at Microchip are committed to continuously improving the code protection features of our products. Attempts to break Microchip's code protection feature may be a violation of the Digital Millennium Copyright Act. If such acts allow unauthorized access to your software or other copyrighted work, you may have a right to sue for relief under that Act.

---

Information contained in this publication regarding device applications and the like is provided only for your convenience and may be superseded by updates. It is your responsibility to ensure that your application meets with your specifications. MICROCHIP MAKES NO REPRESENTATIONS OR WARRANTIES OF ANY KIND WHETHER EXPRESS OR IMPLIED, WRITTEN OR ORAL, STATUTORY OR OTHERWISE, RELATED TO THE INFORMATION, INCLUDING BUT NOT LIMITED TO ITS CONDITION, QUALITY, PERFORMANCE, MERCHANTABILITY OR FITNESS FOR PURPOSE. Microchip disclaims all liability arising from this information and its use. Use of Microchip devices in life support and/or safety applications is entirely at the buyer's risk, and the buyer agrees to defend, indemnify and hold harmless Microchip from any and all damages, claims, suits, or expenses resulting from such use. No licenses are conveyed, implicitly or otherwise, under any Microchip intellectual property rights unless otherwise stated.

*Microchip received ISO/TS-16949:2009 certification for its worldwide headquarters, design and wafer fabrication facilities in Chandler and Tempe, Arizona; Gresham, Oregon and design centers in California and India. The Company's quality system processes and procedures are for its PIC<sup>®</sup> MCUs and dsPIC<sup>®</sup> DSCs, KEELoQ<sup>®</sup> code hopping devices, Serial EEPROMs, microperipherals, nonvolatile memory and analog products. In addition, Microchip's quality system for the design and manufacture of development systems is ISO 9001:2000 certified.*

**QUALITY MANAGEMENT SYSTEM  
CERTIFIED BY DNV  
= ISO/TS 16949 =**

### Trademarks

The Microchip name and logo, the Microchip logo, AnyRate, AVR, AVR logo, AVR Freaks, BeaconThings, BitCloud, CryptoMemory, CryptoRF, dsPIC, FlashFlex, flexPWR, Heldo, JukeBlox, KEELoQ, KEELoQ logo, Kleer, LANCheck, LINK MD, maXStylus, maXTouch, MediaLB, megaAVR, MOST, MOST logo, MPLAB, OptoLyzer, PIC, picoPower, PICSTART, PIC32 logo, Prochip Designer, QTouch, RightTouch, SAM-BA, SpyNIC, SST, SST Logo, SuperFlash, tinyAVR, UNI/O, and XMEGA are registered trademarks of Microchip Technology Incorporated in the U.S.A. and other countries.

ClockWorks, The Embedded Control Solutions Company, EtherSynch, Hyper Speed Control, HyperLight Load, IntelliMOS, mTouch, Precision Edge, and Quiet-Wire are registered trademarks of Microchip Technology Incorporated in the U.S.A.

Adjacent Key Suppression, AKS, Analog-for-the-Digital Age, Any Capacitor, AnyIn, AnyOut, BodyCom, chipKIT, chipKIT logo, CodeGuard, CryptoAuthentication, CryptoCompanion, CryptoController, dsPICDEM, dsPICDEM.net, Dynamic Average Matching, DAM, ECAN, EtherGREEN, In-Circuit Serial Programming, ICSP, Inter-Chip Connectivity, JitterBlocker, KleerNet, KleerNet logo, Mindi, MiWi, motorBench, MPASM, MPF, MPLAB Certified logo, MPLIB, MPLINK, MultiTRAK, NetDetach, Omniscient Code Generation, PICDEM, PICDEM.net, PICKit, PICtail, PureSilicon, QMatrix, RightTouch logo, REAL ICE, Ripple Blocker, SAM-ICE, Serial Quad I/O, SMART-I.S., SQI, SuperSwitcher, SuperSwitcher II, Total Endurance, TSHARC, USBCheck, VariSense, ViewSpan, WiperLock, Wireless DNA, and ZENA are trademarks of Microchip Technology Incorporated in the U.S.A. and other countries.

SQTP is a service mark of Microchip Technology Incorporated in the U.S.A.

Silicon Storage Technology is a registered trademark of Microchip Technology Inc. in other countries.

GestIC is a registered trademark of Microchip Technology Germany II GmbH & Co. KG, a subsidiary of Microchip Technology Inc., in other countries.

All other trademarks mentioned herein are property of their respective companies.

© 2011-2017, Microchip Technology Incorporated, All Rights Reserved.

ISBN: 978-1-5224-1447-6



# MICROCHIP

## Worldwide Sales and Service

### AMERICAS

**Corporate Office**  
2355 West Chandler Blvd.  
Chandler, AZ 85224-6199  
Tel: 480-792-7200  
Fax: 480-792-7277  
Technical Support:  
<http://www.microchip.com/support>  
Web Address:  
[www.microchip.com](http://www.microchip.com)

**Atlanta**  
Duluth, GA  
Tel: 678-957-9614  
Fax: 678-957-1455

**Austin, TX**  
Tel: 512-257-3370

**Boston**  
Westborough, MA  
Tel: 774-760-0087  
Fax: 774-760-0088

**Chicago**  
Itasca, IL  
Tel: 630-285-0071  
Fax: 630-285-0075

**Dallas**  
Addison, TX  
Tel: 972-818-7423  
Fax: 972-818-2924

**Detroit**  
Novi, MI  
Tel: 248-848-4000

**Houston, TX**  
Tel: 281-894-5983

**Indianapolis**  
Noblesville, IN  
Tel: 317-773-8323  
Fax: 317-773-5453  
Tel: 317-536-2380

**Los Angeles**  
Mission Viejo, CA  
Tel: 949-462-9523  
Fax: 949-462-9608  
Tel: 951-273-7800

**Raleigh, NC**  
Tel: 919-844-7510

**New York, NY**  
Tel: 631-435-6000

**San Jose, CA**  
Tel: 408-735-9110  
Tel: 408-436-4270

**Canada - Toronto**  
Tel: 905-695-1980  
Fax: 905-695-2078

### ASIA/PACIFIC

**Asia Pacific Office**  
Suites 3707-14, 37th Floor  
Tower 6, The Gateway  
Harbour City, Kowloon

**Hong Kong**  
Tel: 852-2943-5100  
Fax: 852-2401-3431

**Australia - Sydney**  
Tel: 61-2-9868-6733  
Fax: 61-2-9868-6755

**China - Beijing**  
Tel: 86-10-8569-7000  
Fax: 86-10-8528-2104

**China - Chengdu**  
Tel: 86-28-8665-5511  
Fax: 86-28-8665-7889

**China - Chongqing**  
Tel: 86-23-8980-9588  
Fax: 86-23-8980-9500

**China - Dongguan**  
Tel: 86-769-8702-9880

**China - Guangzhou**  
Tel: 86-20-8755-8029

**China - Hangzhou**  
Tel: 86-571-8792-8115  
Fax: 86-571-8792-8116

**China - Hong Kong SAR**  
Tel: 852-2943-5100  
Fax: 852-2401-3431

**China - Nanjing**  
Tel: 86-25-8473-2460  
Fax: 86-25-8473-2470

**China - Qingdao**  
Tel: 86-532-8502-7355  
Fax: 86-532-8502-7205

**China - Shanghai**  
Tel: 86-21-3326-8000  
Fax: 86-21-3326-8021

**China - Shenyang**  
Tel: 86-24-2334-2829  
Fax: 86-24-2334-2393

**China - Shenzhen**  
Tel: 86-755-8864-2200  
Fax: 86-755-8203-1760

**China - Wuhan**  
Tel: 86-27-5980-5300  
Fax: 86-27-5980-5118

**China - Xian**  
Tel: 86-29-8833-7252  
Fax: 86-29-8833-7256

### ASIA/PACIFIC

**China - Xiamen**  
Tel: 86-592-2388138  
Fax: 86-592-2388130

**China - Zhuhai**  
Tel: 86-756-3210040  
Fax: 86-756-3210049

**India - Bangalore**  
Tel: 91-80-3090-4444  
Fax: 91-80-3090-4123

**India - New Delhi**  
Tel: 91-11-4160-8631  
Fax: 91-11-4160-8632

**India - Pune**  
Tel: 91-20-3019-1500

**Japan - Osaka**  
Tel: 81-6-6152-7160  
Fax: 81-6-6152-9310

**Japan - Tokyo**  
Tel: 81-3-6880-3770  
Fax: 81-3-6880-3771

**Korea - Daegu**  
Tel: 82-53-744-4301  
Fax: 82-53-744-4302

**Korea - Seoul**  
Tel: 82-2-554-7200  
Fax: 82-2-558-5932 or  
82-2-558-5934

**Malaysia - Kuala Lumpur**  
Tel: 60-3-6201-9857  
Fax: 60-3-6201-9859

**Malaysia - Penang**  
Tel: 60-4-227-8870  
Fax: 60-4-227-4068

**Philippines - Manila**  
Tel: 63-2-634-9065  
Fax: 63-2-634-9069

**Singapore**  
Tel: 65-6334-8870  
Fax: 65-6334-8850

**Taiwan - Hsin Chu**  
Tel: 886-3-5778-366  
Fax: 886-3-5770-955

**Taiwan - Kaohsiung**  
Tel: 886-7-213-7830

**Taiwan - Taipei**  
Tel: 886-2-2508-8600  
Fax: 886-2-2508-0102

**Thailand - Bangkok**  
Tel: 66-2-694-1351  
Fax: 66-2-694-1350

### EUROPE

**Austria - Wels**  
Tel: 43-7242-2244-39  
Fax: 43-7242-2244-393

**Denmark - Copenhagen**  
Tel: 45-4450-2828  
Fax: 45-4485-2829

**Finland - Espoo**  
Tel: 358-9-4520-820

**France - Paris**  
Tel: 33-1-69-53-63-20  
Fax: 33-1-69-30-90-79

**France - Saint Cloud**  
Tel: 33-1-30-60-70-00

**Germany - Garching**  
Tel: 49-8931-9700

**Germany - Haan**  
Tel: 49-2129-3766400

**Germany - Heilbronn**  
Tel: 49-7131-67-3636

**Germany - Karlsruhe**  
Tel: 49-721-625370

**Germany - Munich**  
Tel: 49-89-627-144-0  
Fax: 49-89-627-144-44

**Germany - Rosenheim**  
Tel: 49-8031-354-560

**Israel - Ra'anana**  
Tel: 972-9-744-7705

**Italy - Milan**  
Tel: 39-0331-742611  
Fax: 39-0331-466781

**Italy - Padova**  
Tel: 39-049-7625286

**Netherlands - Drunen**  
Tel: 31-416-690399  
Fax: 31-416-690340

**Norway - Trondheim**  
Tel: 47-7289-7561

**Poland - Warsaw**  
Tel: 48-22-3325737

**Romania - Bucharest**  
Tel: 40-21-407-87-50

**Spain - Madrid**  
Tel: 34-91-708-08-90  
Fax: 34-91-708-08-91

**Sweden - Gothenberg**  
Tel: 46-31-704-60-40

**Sweden - Stockholm**  
Tel: 46-8-5090-4654

**UK - Wokingham**  
Tel: 44-118-921-5800  
Fax: 44-118-921-5820