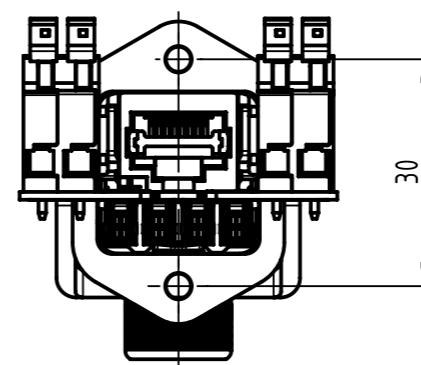
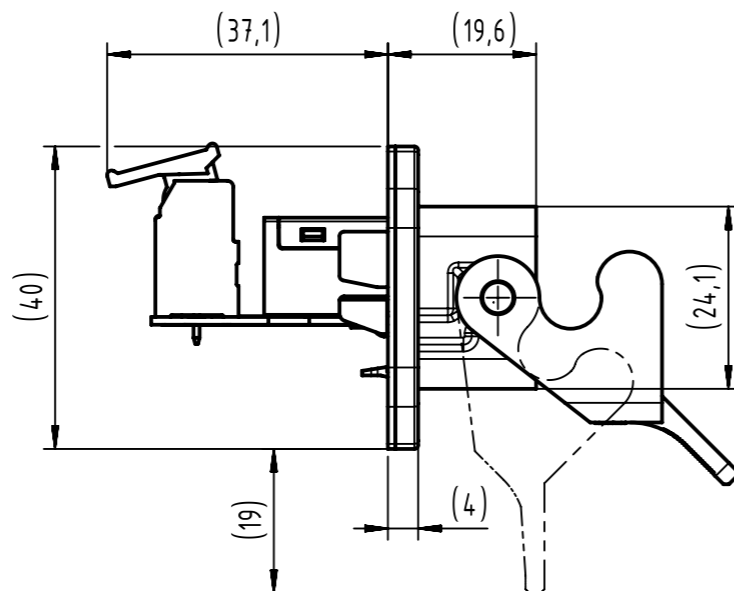
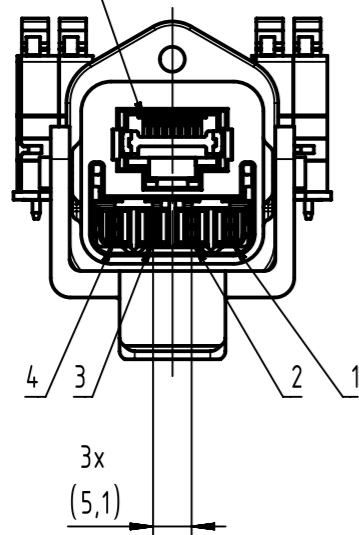


RJ45 mating face acc. to IEC 60603-7

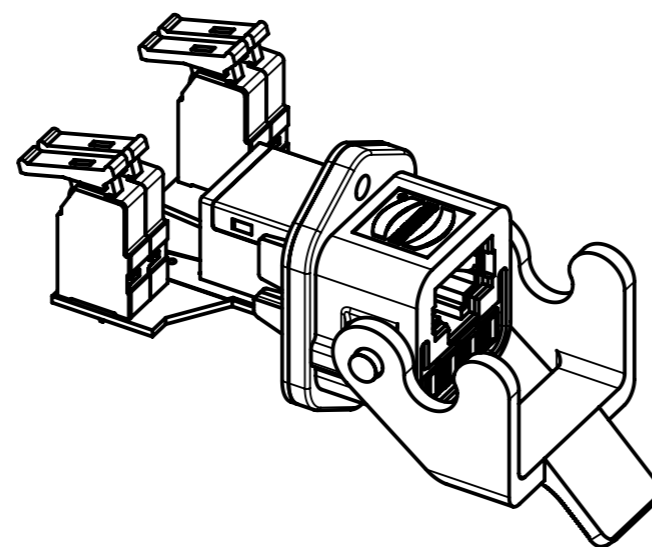
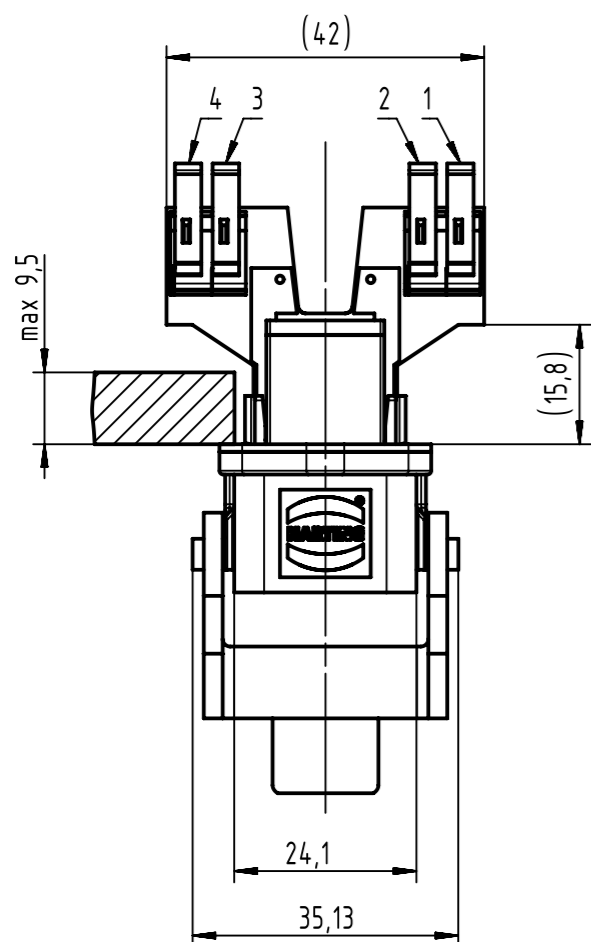


Loading-Plan RJ 45

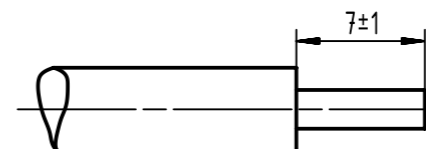
- 1 _____ 1
- 2 _____ 2
- 3 _____ 3
- 4 _____ 4
- 5 _____ 5
- 6 _____ 6
- 7 _____ 7
- 8 _____ 8

Loading-Plan 4x 16A/48V

- 1 _____ 1
- 2 _____ 2
- 3 _____ 3
- 4 _____ 4

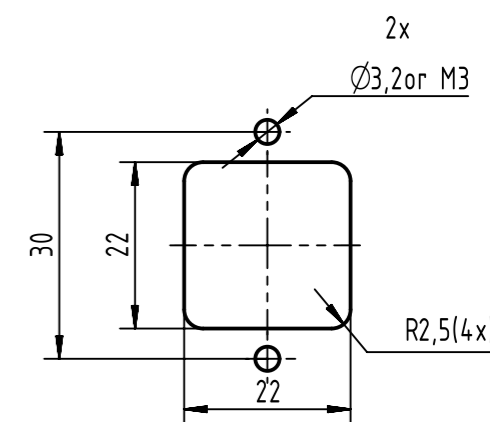


Dismantle length for the power wires



Wire diameter: 0.5 to 2.5 sqmm
Maximum current intensity: 16 A

Panel cut-out



Maximum panel thickness: 9.55 mm

	All rights reserved	Created by	Inspected by	Standardisation	Date	State	Doc-Key / ECM-Nr. 100673601/UGD/002/C 500000116472	
	Department EC PD - RO	DRAGHICI	AVRAM	HOFFMANN	2017-03-09	Final Release		
HARTING Electronics GmbH D-32339 Espelkamp		Title Han 3A RJ45 Hybrid Cat.6 PFT 8+4p plast.		Type TB		Number 09452251760		
							Rev. C	Page 1/1