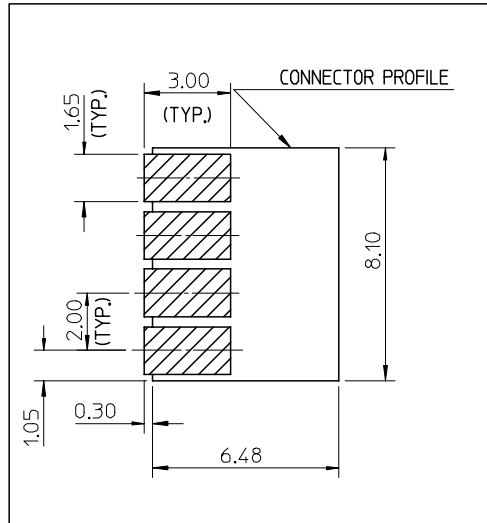
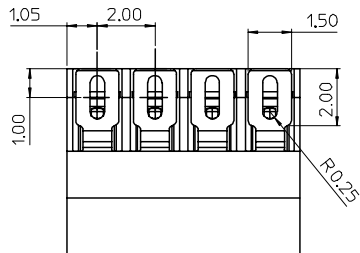
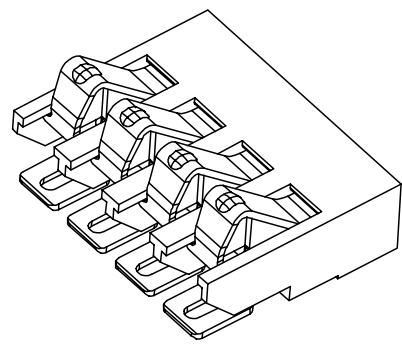


SECTION A-A



RECOMMENDED FOOT PRINT



NOTE:

1.MATERIAL:

HOUSING: LCP, 30% GLASS-FILLED, UL 94V-0, COLOR :BLACK
 TERMINAL: 0.20MM PHOSPHOR BRONZE.

2.FINISH:

CONTACT AREA: 0.75 MICRON GOLD MIN OVER 1.25 MICRON NICKEL MIN.
 SOLDER AREA: 3.75 MICRON PURE TIN MIN OVER 1.25 MICRON NICKEL MIN.
 REST AREA: 1.25 MICRON NICKEL MIN.

3.COPLANARITY: 0.1 MAX AMONG THESE SOLDER TAILS.

4.PRODUCT SPECIFICATION: PS-47103-001

EC NO: SH2005-0060 DRWN: JIAN 2004/08/20 CHKD: GRATE M 2004/08/24 APPR: SHUANG 2004/08/24	QUALITY SYMBOLS ▽ = 0 ◁ = 0	GENERAL TOLERANCES (UNLESS SPECIFIED)		SCALE 5:1	DESIGN UNITS METRIC	THIRD ANGLE PROJECTION	REVISE ON CAD ONLY	
		mm	INCH	DIMENSION STYLE MM ONLY		TITLE 2.0MM PITCH 4 CIRCUITS BATTERY CONNECTOR		
		4 PLACES ± --- ± ---		DRAWN BY JOHNSON	DATE 2004/03/03	MOLEX INCORPORATED		
		3 PLACES ± --- ± ---		CHECKED BY GRMA	DATE 2004/03/03	MATERIAL NO. 471030001	DOCUMENT NO. SD-47103-001	SHEET NO. 1 OF 1
		2 PLACES ± 0.13 ± ---		DRAFT WHERE APPLICABLE MUST REMAIN WITHIN DIMENSIONS				
		1 PLACE ± 0.13 ± ---		THIS DRAWING CONTAINS INFORMATION THAT IS PROPRIETARY TO MOLEX INCORPORATED AND SHOULD NOT BE USED WITHOUT WRITTEN PERMISSION				
		ANGULAR ± 1 °						