

Interface card - 1771-CARDEDGE18/D25F - 2908758

Please be informed that the data shown in this PDF Document is generated from our Online Catalog. Please find the complete data in the user's documentation. Our General Terms of Use for Downloads are valid (<http://phoenixcontact.com/download>)



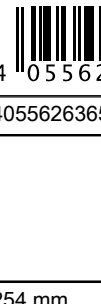
Allen-Bradley® PLC-5 migration board used to convert 1771 I/O and pre-wired 18-position swing arm (1771-WE, 1771-WF, or 1771-WI) to 25-position (female) D-SUB socket

Why buy this product

- Durable PCB designed to easily mount within 1771 chassis
- Card edge connection with locking tab
- Quick cable connection via D-SUB 25 female connector



Key Commercial Data

Packing unit	1 STK
GTIN	 4 055626 365749
GTIN	4055626365749

Technical data

Dimensions

Width	254 mm
Height	153.2 mm
Depth	21.3 mm

Ambient conditions

Ambient temperature (operation)	-40 °C ... 70 °C
Ambient temperature (storage/transport)	-40 °C ... 70 °C

General

Max. perm. operating voltage	max. 125 V AC/DC
Max. perm. current (per branch)	2 A
Number of positions	18
Status display	No

Connection data for connection 1

Interface card - 1771-CARDEDGE18/D25F - 2908758

Technical data

Connection data for connection 1

Connection name	PCB edge contact
Number of positions	18

Connection data for connection 2

Connection name	Controller level
Connection method	D-SUB-25 female connector
Number of connections	1
Number of positions	25

Supported controller

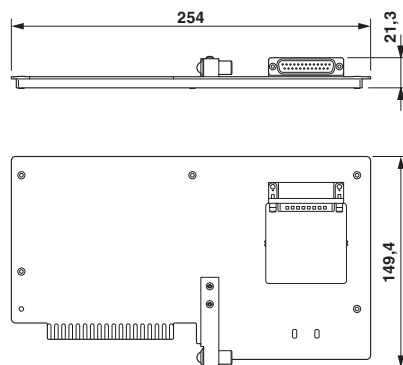
Controller	Allen-Bradley® 1771 (PLC5)
- suitable I/O card	1771-IL
	1771-IR
	1771-IXE
	1771-IXHR
	1771-OQ
	1771-QD
	1771-QDC
	1771-QI

Environmental Product Compliance

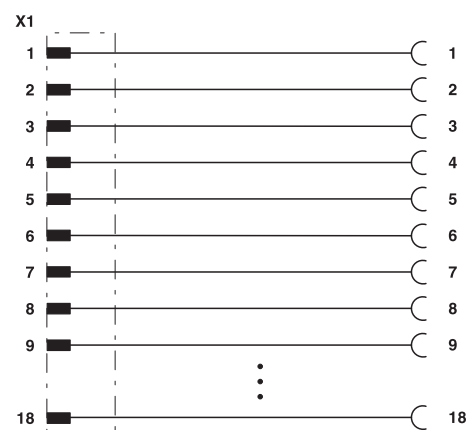
China RoHS	Environmentally Friendly Use Period = 50
	For details about hazardous substances go to tab "Downloads", Category "Manufacturer's declaration"

Drawings

Dimensional drawing



Circuit diagram



Phoenix Contact 2018 © - all rights reserved
<http://www.phoenixcontact.com>

PHOENIX CONTACT GmbH & Co. KG
Flachmarktstr. 8
32825 Blomberg
Germany
Tel. +49 5235 300
Fax +49 5235 3 41200
<http://www.phoenixcontact.com>