

C4K-Z4

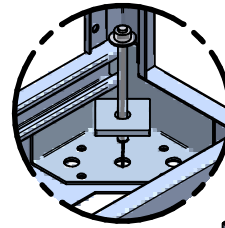
FOR C4/DC100/DCZ4/DRZ4 - SERIES

ASSEMBLY INSTRUCTIONS FOR SEISMIC (EARTHQUAKE) LOADING

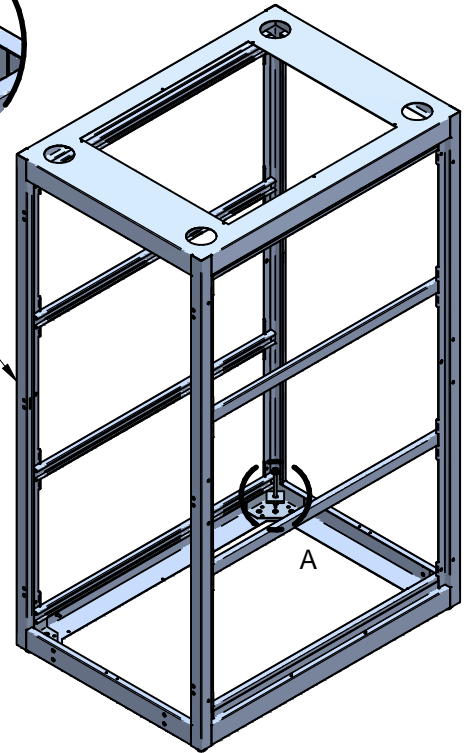
BUL10327
REV.F
PAGE 1 OF 1

Floor Mounting (Required for Zone 4 Compliance)

The cabinet must be anchored to the floor at each corner using the hardware supplied (C4K-Z4), **casters must be removed**. Drill (4) 3/8" holes minimum 3.88" deep and set anchor bolts with a 3.50" embedment at required locations.

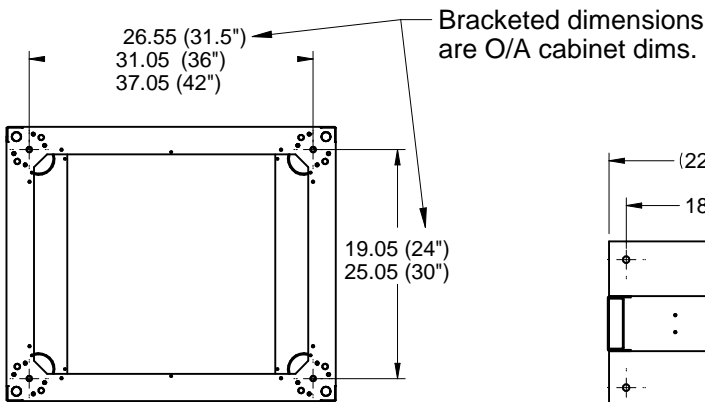


DETAIL A

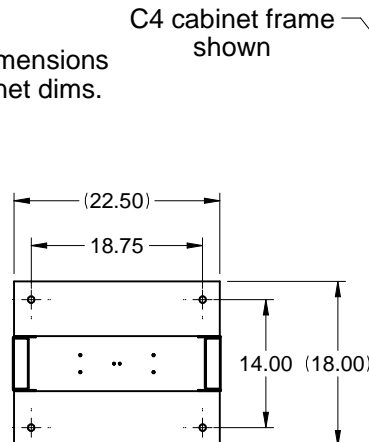


Recommended Anchor Bolt Location

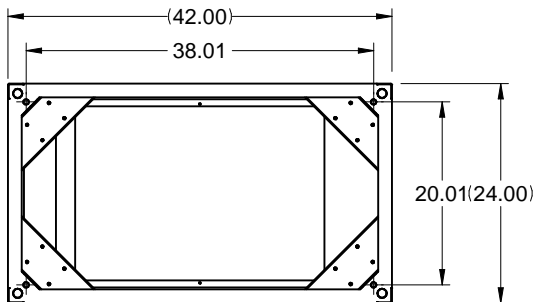
USE CABINET FRAME AS TEMPLATE



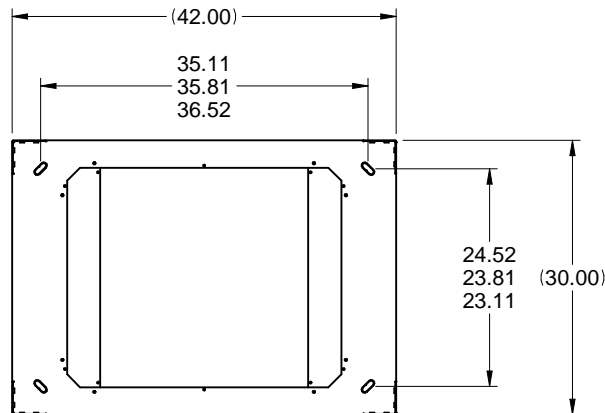
BOTTOM VIEW OF C4 CABINET



BOTTOM VIEW OF DRZ4



BOTTOM VIEW OF DC100 CABINET



BOTTOM VIEW OF DCZ4 CABINET

The seismic loading of the C4 & DC100 cabinet series was determined in accordance with the International Building Code 2012 (IBC 2012) and ASCE 7-10 for Seismic Zones.

The C4 and DC100 cabinet series was found structurally adequate to safely resist Seismic (earthquake) loads when supporting 1,000 lb of equipment evenly distributed.

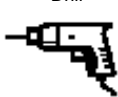
The center of mass of the equipment must be no higher than the mid-height of the cabinet frame.

The DCZ4/DRZ4 were independently tested and certified to exceed established Seismic Zone 4 Telcordia® GR-63-CORE testing standards. Dynamic (seismic) suggested load capacity of 1,000 lb. (453.6 kg) of equipment installed and 100 lb. (45.4 kg) of simulated cable weight on top for the DCZ4 cabinet and suggested load capacity of 800 lb. (362.9 kg) of equipment installed and 50 lb. (22.7 kg) of simulated cable weight on top for the DRZ4 2 post rack when secured using C4K-Z4 seismic bolt down kit.

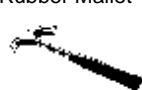
TOOL BOX



Drill



Rubber Mallet



Socket Set



visit our website @ www.hammondmfg.com