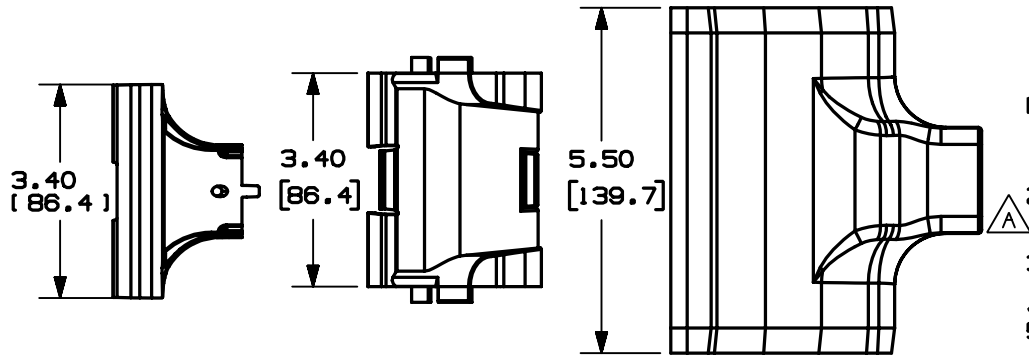
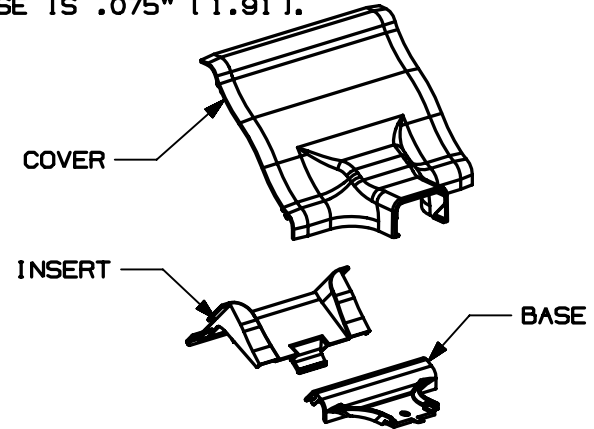
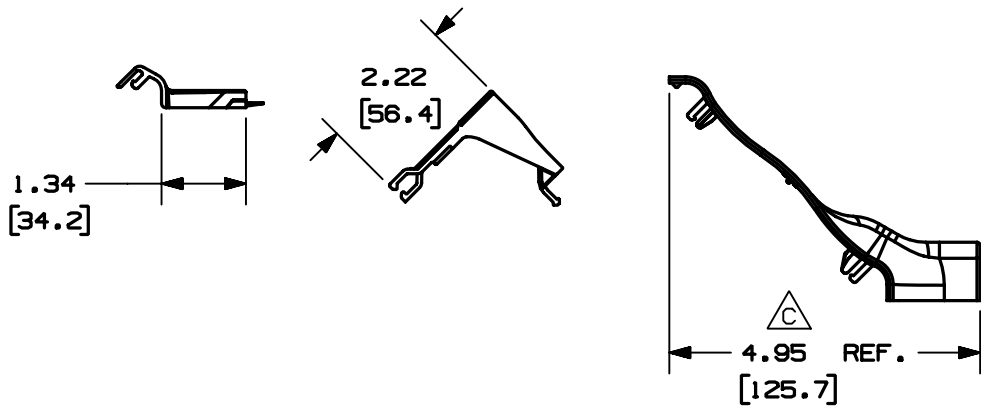


THIS COPY IS PROVIDED ON A RESTRICTED BASIS AND IS NOT TO BE USED IN ANY WAY DETRIMENTAL TO THE INTERESTS OF PANDUIT CORP.

| PANDUIT PART NO. | WEIGHT |
|------------------|------------------------|
| WCM35TR10 | .250 LBS [113.40 G] |



- NOTES:
1. SEE CURRENT CATALOG FOR ADDITIONAL PART NUMBER SUFFIXES TO INDICATE COLOR AND/OR PACKAGE QUANTITY.
 2. THIS PRODUCT IS INTENDED TO ROUTE CABLES BETWEEN PANDUIT WCM35 RACEWAY AND PANDUIT LD10 OR LDP10 RACEWAYS.
 3. THIS PRODUCT IS FEATURED WITH A 1" BEND RADIUS.
 4. DIMENSIONS IN PARENTHESIS ARE IN METRIC.
 5. NOMINAL WALL THICKNESS FOR COVER IS .100" [2.54].
 6. NOMINAL WALL THICKNESS FOR INSERT AND BASE IS .075" [1.91].



CAD FILENAME/LAYERS D38646BL_DC_WCM35TR10_OOC.PRT

PANDUIT CORP. TINLEY PARK, ILLINOIS
 3.5 INCH COVE MOLDING LOW PROFILE TRANSITION FITTING (WCM35TR10)
 CUSTOMER DRAWING

| REV | DATE | BY | CHK | DESCRIPTION | ECN | CHK | CUST | SUP |
|-----|----------|-----|-----|--|----------|------|------|-----|
| - | ----- | --- | --- | RELEASED TO PRODUCTION | ----- | --- | --- | --- |
| 2 | 12-31-03 | JBN | BKR | C. REVISED DIMENSION TO REFERENCE | 38646-08 | RGRO | RGRO | |
| 1 | 12-08-03 | JBN | BKR | B. REVISED DESCRIPTION IN TITLE BLOCK A. REVISED NOTE 2 | | | | |
| R | 08-13-03 | JBN | BKR | DRAWING RELEASED | | | | |

| | | | |
|---|---------------|---|----------|
| UNLESS OTHERWISE SPECIFIED, DIMENSIONAL TOLERANCES ARE: (.X)± (.XXX)± .015 [.38] (.XX)± .03 [.8] ANGLES ± | | UNLESS OTHERWISE SPECIFIED, ALL DIMENSIONS ARE GIVEN IN INCHES, THIRD ANGLE PROJECTION. | |
| DRAWN BY JBN | MAT'L: PVC | SCALE NONE | |
| DATE 08-13-03 | | DRAWING NO. 38646-08 | DWG A |
| CHK'D BKR | | | SIZE |