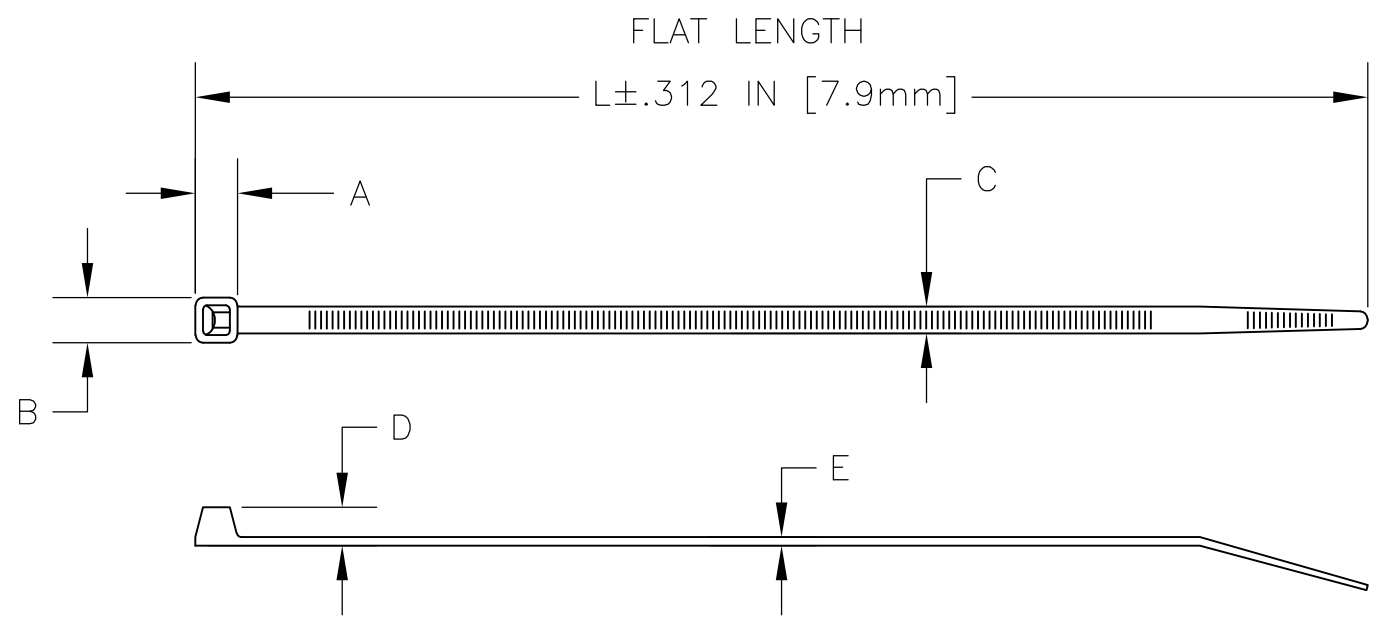


THIS DRAWING IS UNPUBLISHED. RELEASED FOR PUBLICATION
 © COPYRIGHT BY TYCO ELECTRONICS CORPORATION. ALL RIGHTS RESERVED.

LOC	DIST	REVISIONS					
CM	00	P	LTR	DESCRIPTION	DATE	DWN	APVD
		J2		REV PER ECR 10-010357	13MAY10	JR	TM

- 1 PACKAGED IN HEAT SEALED 3 MIL PLOYBAG
- 2 MIL NO. MS3367-5
- 3 OBSOLETE PARTS, OBSOLETE CIS STREAMLINING PER D.RENAUD / D.SINISI

UNIT OF MEASURE	A	B	C	D	E	L	MAX BUNDLE DIAMETER	MIN TENSILE STRENGTH
INCHES	.232	.236	.142	.169	.043	5.83	1.25	30 LBS
MM	5.9	6.0	3.6	4.28	1.1	148	31.75	13.608 KG



1000	NATURAL	2-603227-9		
1000	BLACK	2-603227-0		
100	NATURAL	1-603227-9		
100	BLACK	1-603227-0		
3	OBSOLETE	1	NATURAL	603227-2
3	OBSOLETE	1	BLACK	603227-1
		QTY/BAG	COLOR	PART NO

THIS DRAWING IS A CONTROLLED DOCUMENT.		DWN jr_ruth 13MAY10	Tyco Electronics Corporation Harrisburg, PA 17105-3608	
DIMENSIONS: MM [INCHES]	TOLERANCES UNLESS OTHERWISE SPECIFIED:	CHK T MICHELUTTI 13MAY10	NAME CABLE TIE, 6 INCH	
	0 PLC ± -	APVD T MICHELUTTI 13MAY10	PRODUCT SPEC	
	1 PLC ± -		APPLICATION SPEC	
	2 PLC ± .03 [0.8]		SIZE	CAGE CODE
	3 PLC ± -		A3	00779
	4 PLC ± -		DRAWING NO	C-603227
	ANGLES ± -		RESTRICTED TO	-
MATERIAL NYLON 6/6	FINISH -	WEIGHT -	CUSTOMER DRAWING	
		SCALE 1:1	SHEET 1 OF 1	REV J2