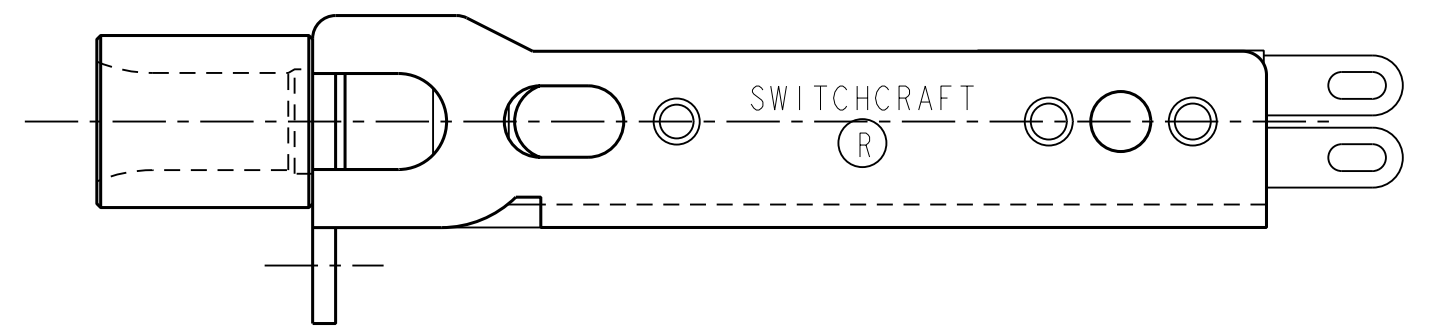
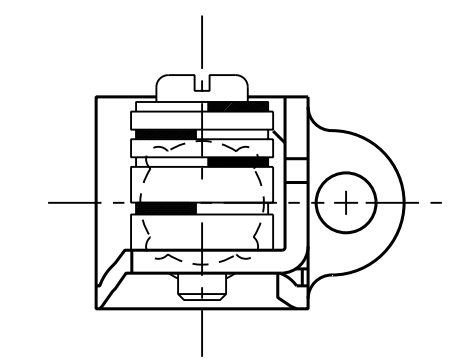
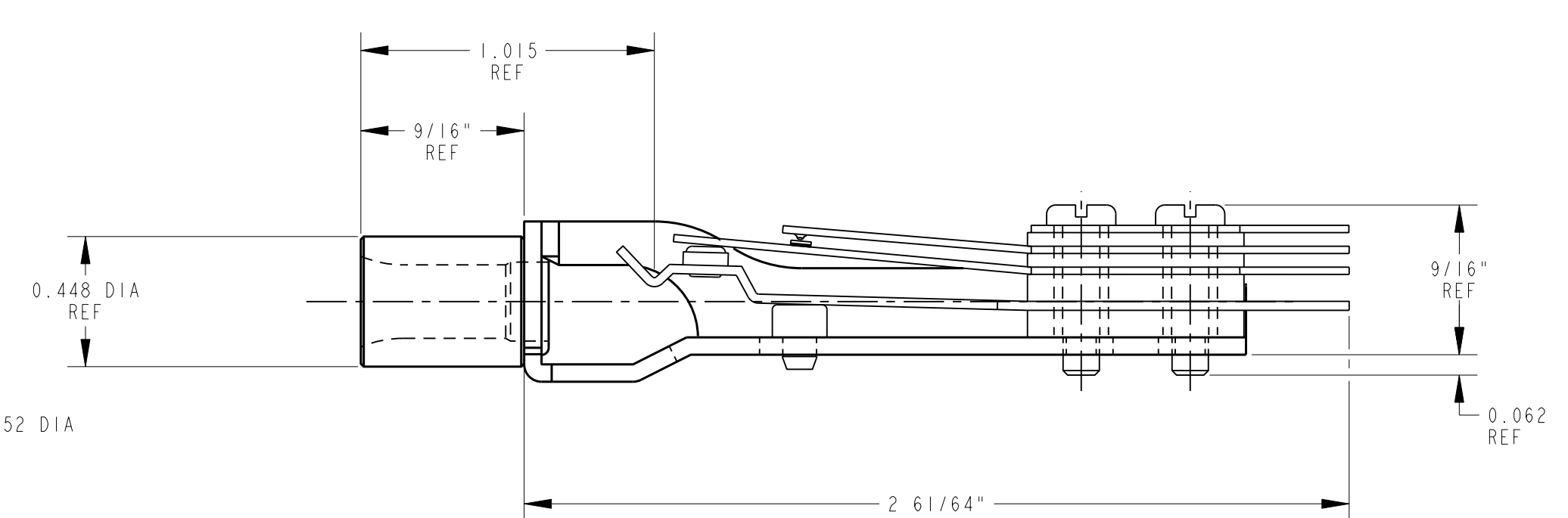
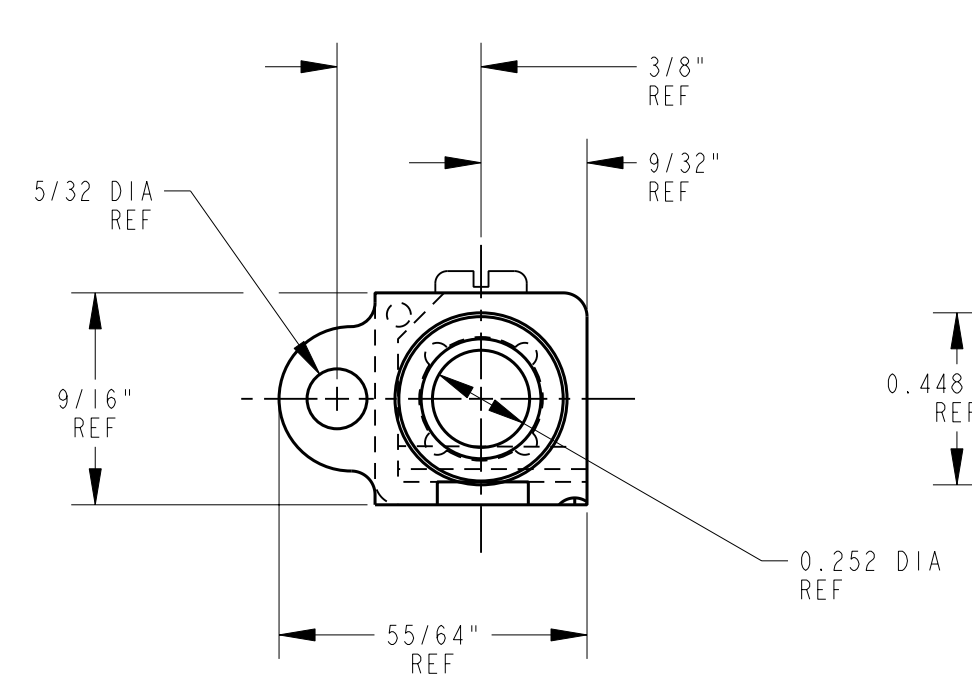
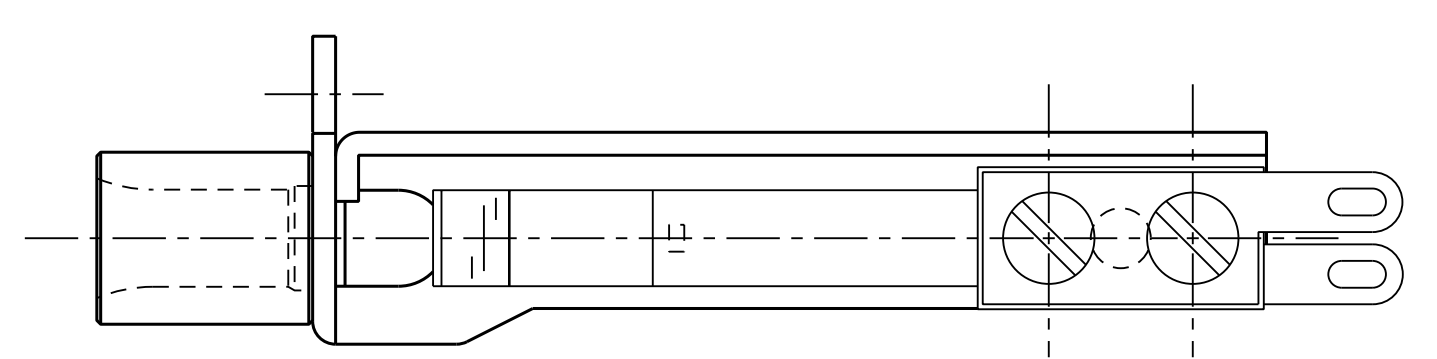
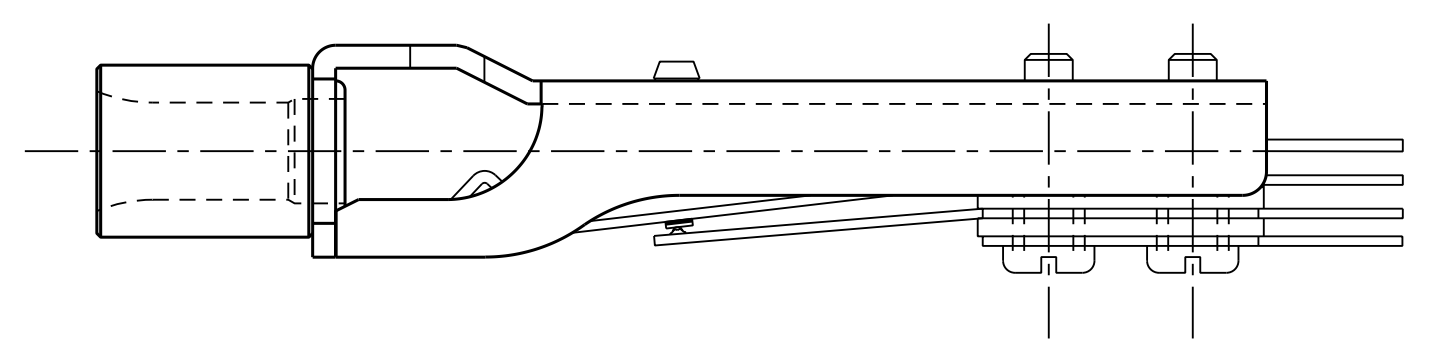


8 7 6 5 4 3 2 1



- NOTES:
- MATERIALS:  
 FRAME - STEEL, NICKEL PLATED  
 BUSHING - BRASS, NICKEL PLATED  
 SPRINGS - NICKEL SILVER - SPRING TEMPERED  
 CONTACTS - WELDED CROSS BAR PALLADIUM  
 SPACERS - PHENOLIC  
 LIFTERS - NYLON  
 TERMINALS - HOT TIN DIPPED, LEAD FREE  
 SCREWS - STEEL, NICKEL PLATED
  - MATES WITH M642/4-1 OR M642/4-2.
  - THIS PRODUCT IS RoHS COMPLIANT.

CUSTOMER DRAWING

					★ STAR SYMBOL DENOTES CRITICAL DIMENSION		THIS DRAWING DESCRIBES A DESIGN CONSIDERED PROPRIETARY IN NATURE, DEVELOPED AND MANUFACTURED BY SWITCHCRAFT INC. AND IS RELEASED ON A CONFIDENTIAL BASIS FOR IDENTIFICATION PURPOSES ONLY.				
					UNLESS OTHERWISE SPECIFIED		SIZE	WIDTH	MULT	LBS/M	TEMPER
					1. ALL DIMENSIONS IN INCHES - TWO PLACE DECIMALS ±0.01 - THREE PLACE DECIMALS ±0.005 - ANGLES ±1° - ALL DIA. CONCENTRIC WITHIN 0.005 T.I.R.		FINISH		MATERIAL		
					2. FEATURES ON THE SAME CENTERLINE MUST BE ALIGNED WITHIN ±0.002		SPEC No.		SPEC No.		
					3. REMOVE ALL BURRS		FIRST USED ON		SCALE		
					DO NOT SCALE DRAWING		DATE DRAWN	BY	CHKD	APVD	<b>Switchcraft®</b>
					REVISIONS		19-May-10	TO	TJK	TJK	
							NAME		TELEPHONE JACK		SHEET   OF
											REV
											A
									PART No. MT333X		