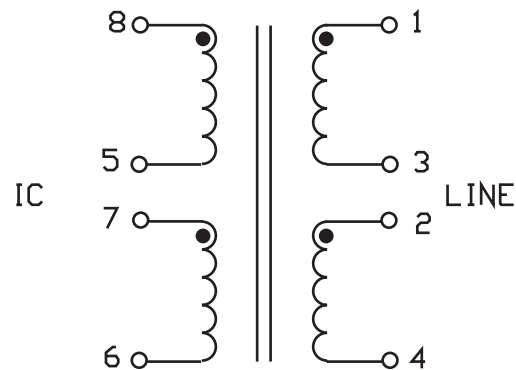


SHDSL MAGNETICS

S560-6600-JE

SCHEMATIC



UNBALANCE DC CURRENT: 60mA

INSERTION LOSS: 0.6 dB MAX @ 100kHz

LONGITUDINAL BALANCE: 52 dB MIN
20kHz TO 300kHz PER ITU METHOD (L->M)

HARMONIC DISTORTION: -76 dB MAX
4 Vrms @ 5kHz, SOURCE, LINE SIDE
WITH $R_s = 135\Omega$ AND $R_{LOAD} = 603\Omega$ AT IC SIDE

OPERATING TEMPERATURE RANGE: -40°C TO +85°C

ELECTRICAL CHARACTERISTICS (@25°C)

NOMINAL TURNS RATIO:
(1-4) : (8-6) 0.472 : 1
CONNECT TERMINALS 2 TO 3 & 5 TO 7

DC RESISTANCE:
(1-4) 8.0 Ω MAX
(8-6) 36.0 Ω MAX
CONNECT TERMINALS 2 TO 3 & 5 TO 7

INDUCTANCE @ 10 kHz, 0.1 Vrms:
(1-4) @ 0AMP DC & 20 mA DC 3.2 mH $\pm 7\%$
CONNECT TERMINALS 2 TO 3

MAXIMUM LEAKAGE INDUCTANCE:
(1-4) 16.5 μ H
CONNECT TERMINALS 2 TO 3 & 5 TO 7
SHORT TERMINALS 5, 6, 7 & 8

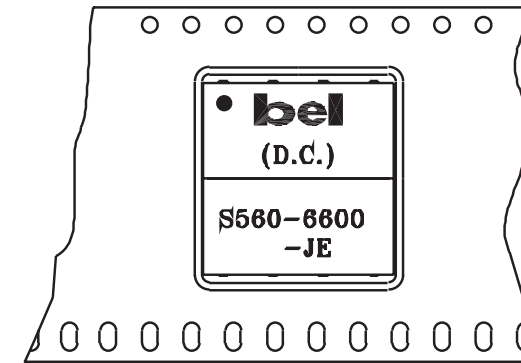
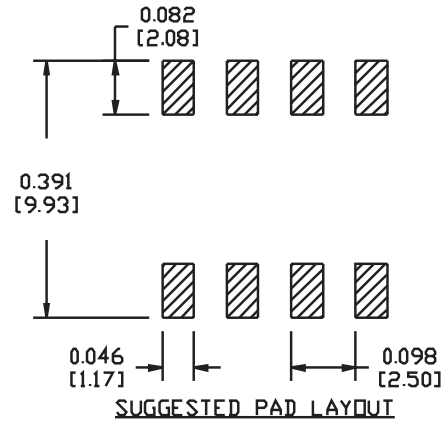
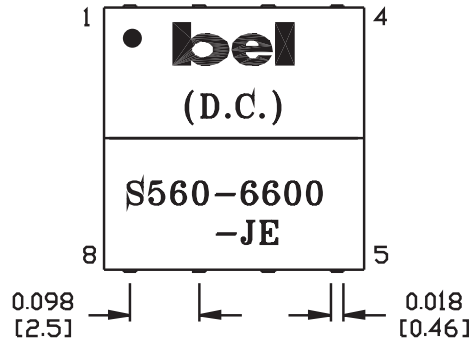
MAXIMUM INTERWINDING CAPACITANCE:
(1-4) 300 pF
CONNECT TERMINALS 2 TO 3 & 5 TO 7

MINIMUM DIELECTRIC RATING:
BETWEEN (1-4) & (8-6) 1500 Vrms
CONNECT TERMINALS 2 TO 3 & 5 TO 7
BETWEEN (1-3) & (2-4) FOR 1 MINUTE 600 Vrms

DESIGNED TO COMPLY WITH UL-1950, EN60950 WITH BASIC INSULATION AND 250 VOLT WORKING VOLTAGE.
UL-FILE # E150991 BAPT CERTIFICATE # NC/011825

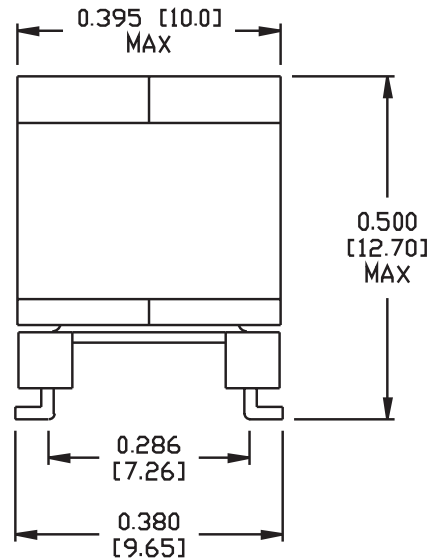
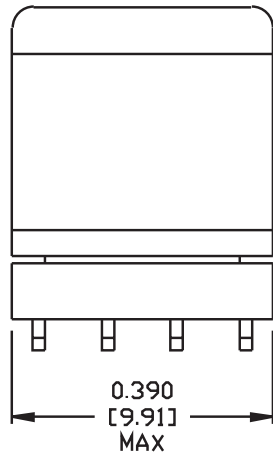
SHDSL MAGNETICS

S560-6600-JE



➔ USER FEED DIRECTION

ORIENTATION OF COMPONENT INSIDE POCKET



TAPE WIDTH	24MM
POCKET PITCH	20MM
QUANTITY OF COMPONENTS PER REEL	200
PLASTIC REEL OUTER DIAMETER	13 INCHES
PLASTIC REEL HUB DIAMETER	4 INCHES