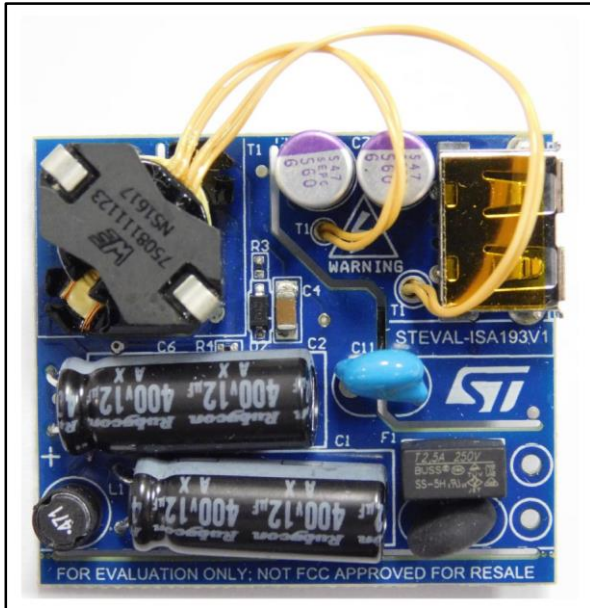


15 W, 5 V - 3 A output CC primary sensing USB adapter based on STCH02

Data brief



Description

The STEVAL-ISA193V1 evaluation board implements a 15 W USB adapter with primary sensing CC feature, based on the STCH02 current mode controller designed for offline quasi-resonant flyback converters, capable of providing constant output current (CC) regulation using primary-sensing feedback.

The IC embeds a 650 V, non-dissipative, HV startup cell, which, along with the extremely low quiescent current and burst-mode management, helps minimize residual input consumption, thus achieving less than 10 mW under no-load conditions.

The adapter is designed to meet the most stringent energy saving recommendations (EuCoC rev. 5 – Tier 2 and EPS of DOE USA) as well as EN55022-Class-B Conducted noise emissions.

The extremely small form factor and the output USB connector makes this reference design suitable for small USB chargers and adapters for mobile phones, tablets and other hand held equipment.

Features

- Universal AC Main Input voltage range : 90 V_{AC} to 264 V_{AC}
- Output range: 5 V - 3 A continuous operation
- Constant voltage (CV) and constant current (CC) operation with CC primary sensing
- Input power in standby < 10 mW at 230 V_{AC}
- Average efficiency: > 81.84%, complies with EuCoC rev. 5 – Tier 2 and EPS of DOE USA
- EMI: According to EN55022-Class-B
- Small form factor: (44 x 35 x 15 mm)
- RoHS compliant

1 Schematic diagrams

Figure 1: STEVAL-ISA193V1 circuit schematic main PSU

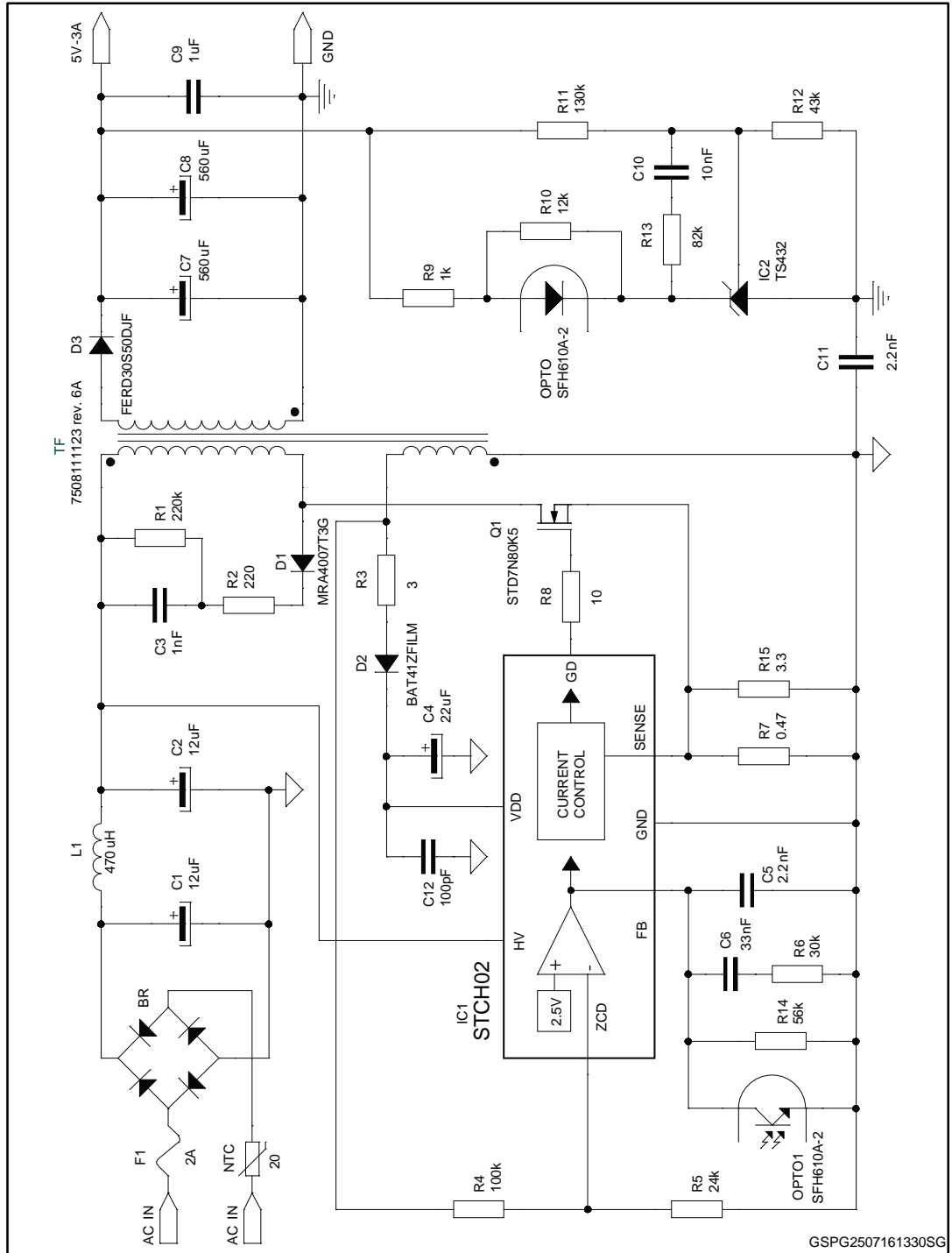


Figure 2: Output characteristic at 115 VAC

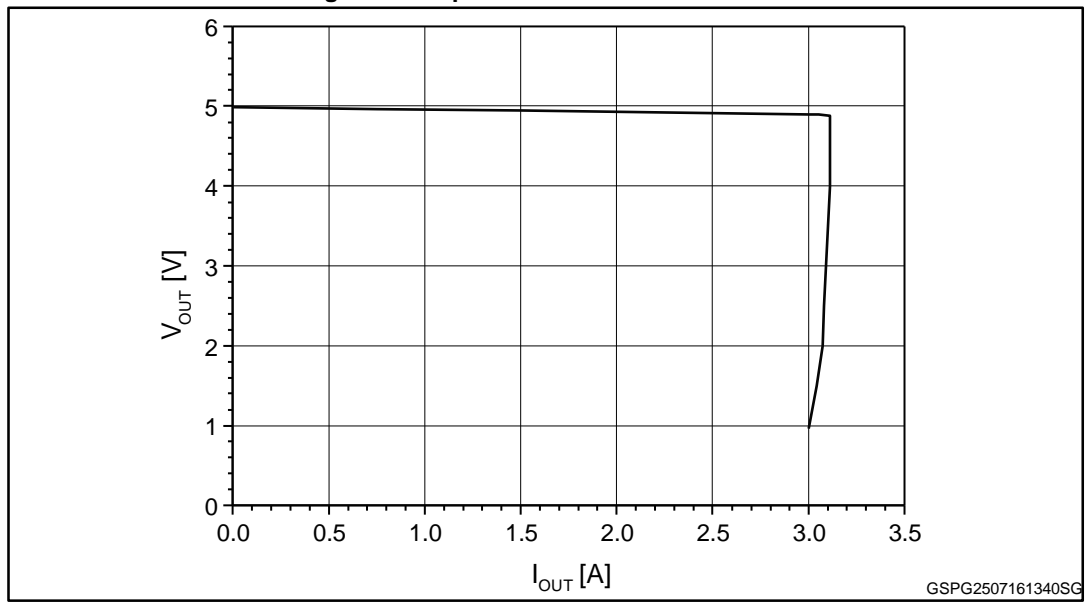


Figure 3: Output characteristic at 230 VAC

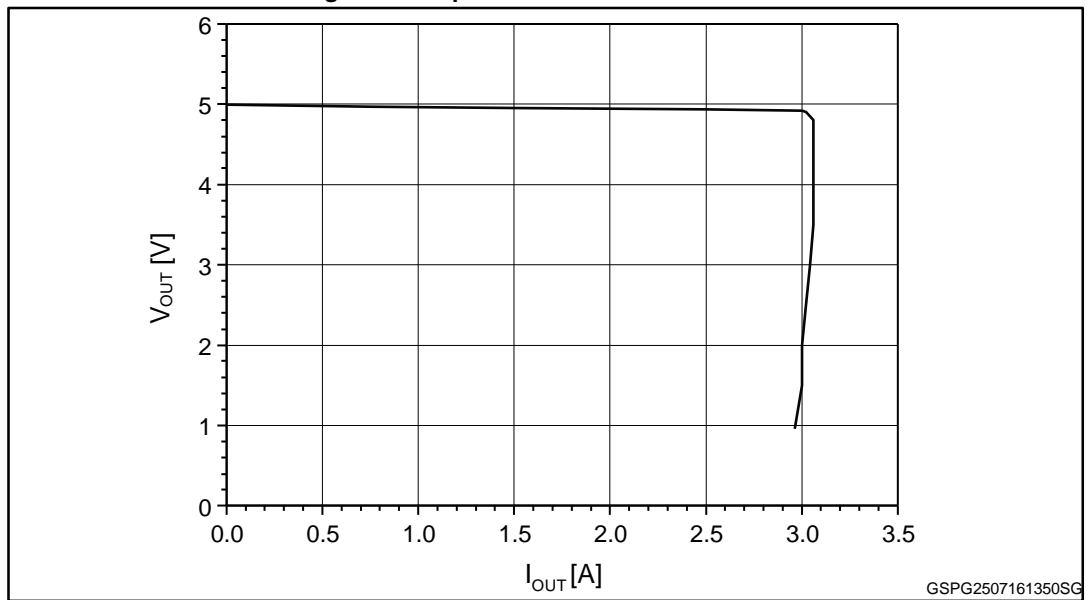


Figure 4: Efficiency vs. output power

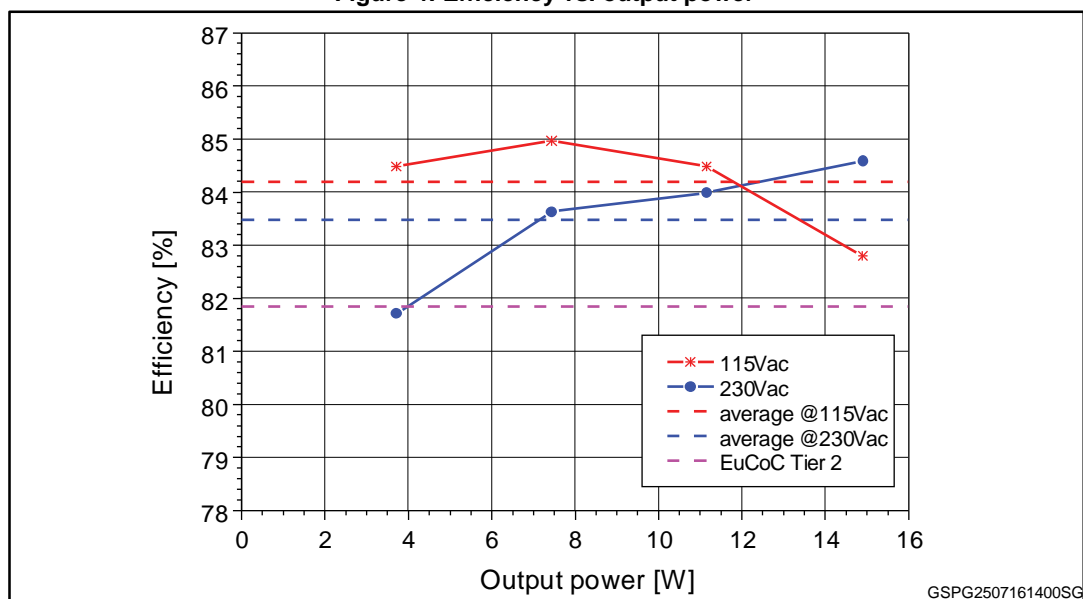


Table 1: Average efficiency of the rated output load

% of rated power	Efficiency	
	115 V _{AC}	230 V _{AC}
25	84.48%	81.71%
50	84.96%	83.63%
75	84.48%	83.98%
100	82.80%	84.58%
Average	84.18%	83.47%

EU Code of Conduct rev. 5 – Tier 2 limit : 81.84%

Table 2: Efficiency at 10% of the rated output load

Input voltage	Efficiency
115 V _{AC}	81.20%
230 V _{AC}	77.01%

EU Code of Conduct rev. 5 – Tier 2 limit : 72.48%

Table 3: No load consumption

Input voltage	Input power
115 V _{AC}	7.3 mW
230 V _{AC}	7.5 mW

2 Revision history

Table 4: Document revision history

Date	Version	Changes
02-Aug-2016	1	Initial release.

IMPORTANT NOTICE – PLEASE READ CAREFULLY

STMicroelectronics NV and its subsidiaries ("ST") reserve the right to make changes, corrections, enhancements, modifications, and improvements to ST products and/or to this document at any time without notice. Purchasers should obtain the latest relevant information on ST products before placing orders. ST products are sold pursuant to ST's terms and conditions of sale in place at the time of order acknowledgement.

Purchasers are solely responsible for the choice, selection, and use of ST products and ST assumes no liability for application assistance or the design of Purchasers' products.

No license, express or implied, to any intellectual property right is granted by ST herein.

Resale of ST products with provisions different from the information set forth herein shall void any warranty granted by ST for such product.

ST and the ST logo are trademarks of ST. All other product or service names are the property of their respective owners.

Information in this document supersedes and replaces information previously supplied in any prior versions of this document.

© 2016 STMicroelectronics – All rights reserved