

4

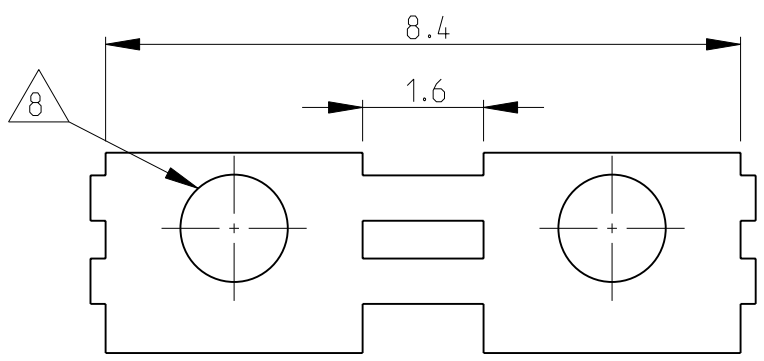
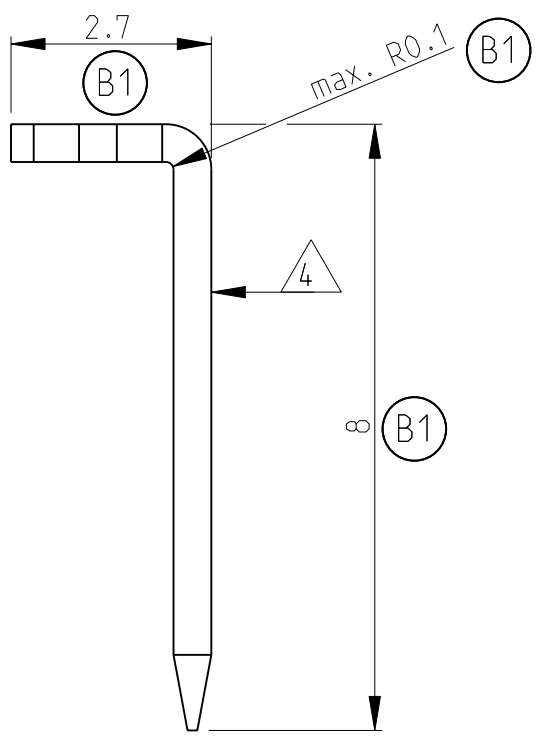
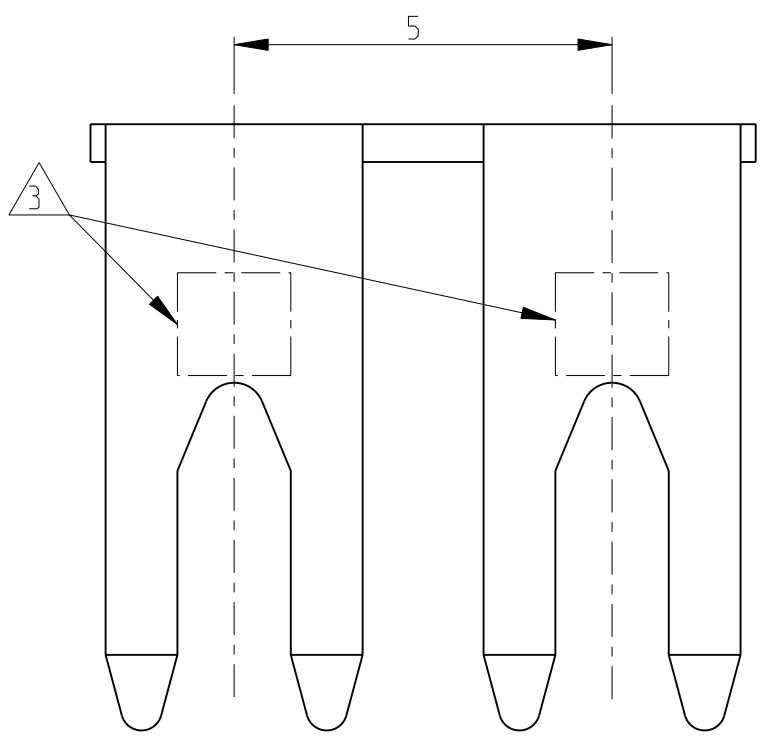
3

2

1

THIS DRAWING IS UNPUBLISHED. RELEASED FOR PUBLICATION 2007  
 © COPYRIGHT 2007 ALL RIGHTS RESERVED.

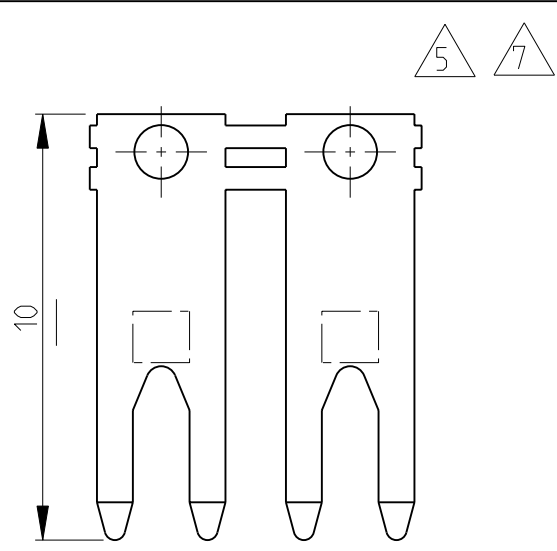
LOC	DIST	REVISIONS			
P	LTR	DESCRIPTION	DATE	DWN	APVD
A	-	NEW DRAWN	07AUG2007	PK	TG
A1		NOTE 7 AND OPTION HOLE (WITH/WITHOUT) ADDED	02OCT2007	Ba	MB
B1		BENDING RADII CHANGED TO MAX. R0.1	09NOV2009	Ba	RRP
B2		ECR-10-026537	08AUG11	KK	HMR



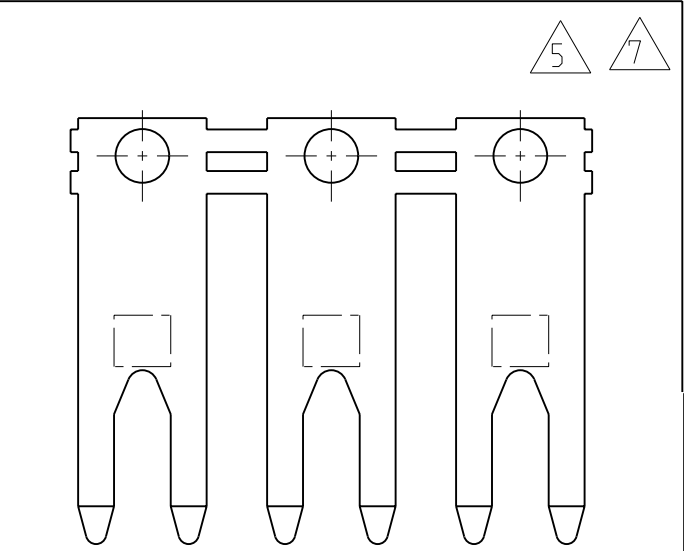
Bemerkungen:  
NOTES:

1. Material Stärke: 0.5mm  
MATERIAL THICKNESS: 0.5mm
2. Werkzeugvorschub : 5mm  
DIE FEED : 5mm
- 3 TE Markenzeichen  
TE TRADEMARK
- 4 Markenzeichen auf dieser Seite  
TRADE MARK ON THIS FACE
- 5 Kontakte werden beim Kunden gebogen  
CONTACTS WILL BE BENT AT CUSTOMER END
6. Biegebereich ohne Beschädigung oder Rissildung  
NO TOOLING MARKS OR FRACTURES ALONG BEND LINE
- 7 Die Bruecken werden im Applicator gefertigt:  
2 Einzelkontakte erzeugen 1 Doppelbruecke.  
3 Einzelkontakte erzeugen 1 Dreifach Bruecke etc.  
THE BRIDGES SHALL FINALIZED BY APPLICATOR:  
2 SINGLE CONTACTS GENERATE A DOUBLE BRIDGE.  
3 SINGLE CONTACTS GENERATE A TRIPPLE BRIDGE, ETC.

B




DOUBLE BRIDGE AS SHOWN  
SCALE 5:1



TRIPLE BRIDGE AS SHOWN  
SCALE 5:1

OBSELETE	PRE TINNED	WITHOUT	Brass	<del>4-1987199-1</del>
	PRE TINNED	WITH	Brass	0-1987199-1
	FINISH	APPL. HOLE	MATERIAL	PART NO

THIS DRAWING IS A CONTROLLED DOCUMENT.

DWN	07AUG2007	 TE Connectivity	
CHK	Praveen K		
CHK	M.Boeffert		
APVD	07AUG2007		
APVD	T.Gerlach	NAME	Bridge contact
PRODUCT SPEC	-	SIZE	A3
APPLICATION SPEC	-	CAGE CODE	00779
WEIGHT	-	DRAWING NO	©-1987199
MATERIAL	SEE TABLE	RESTRICTED TO	-
FINISH	SEE TABLE	CUSTOMER DRAWING	SCALE 5:1
		SHEET 1 OF 1	REV B2