

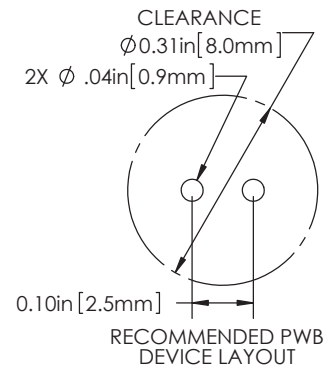
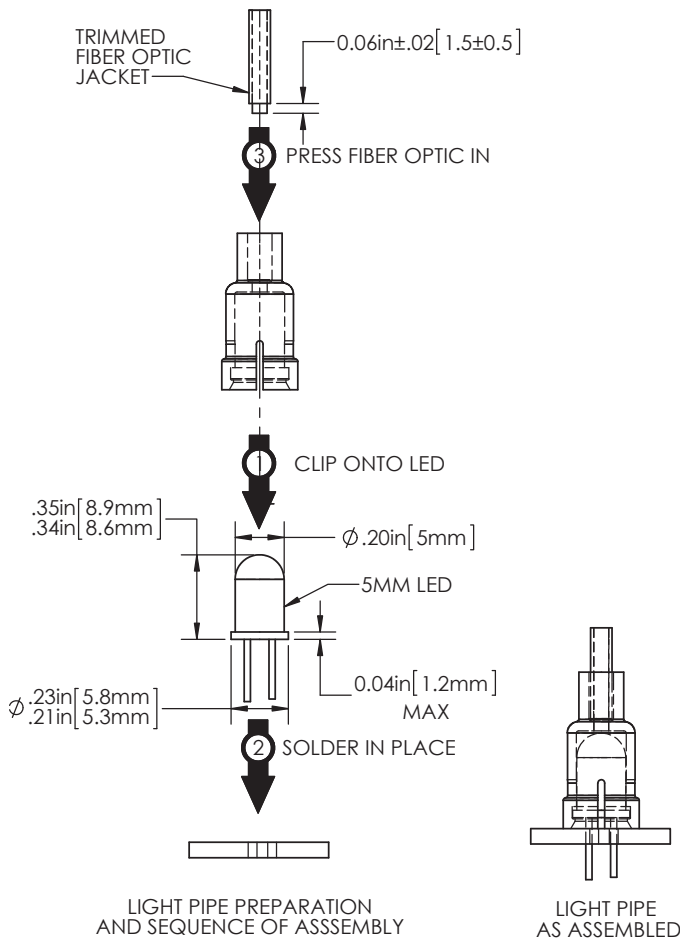


THR_5_22

Coupler for 5mm Through-Hole LEDs for flexible lightpipe

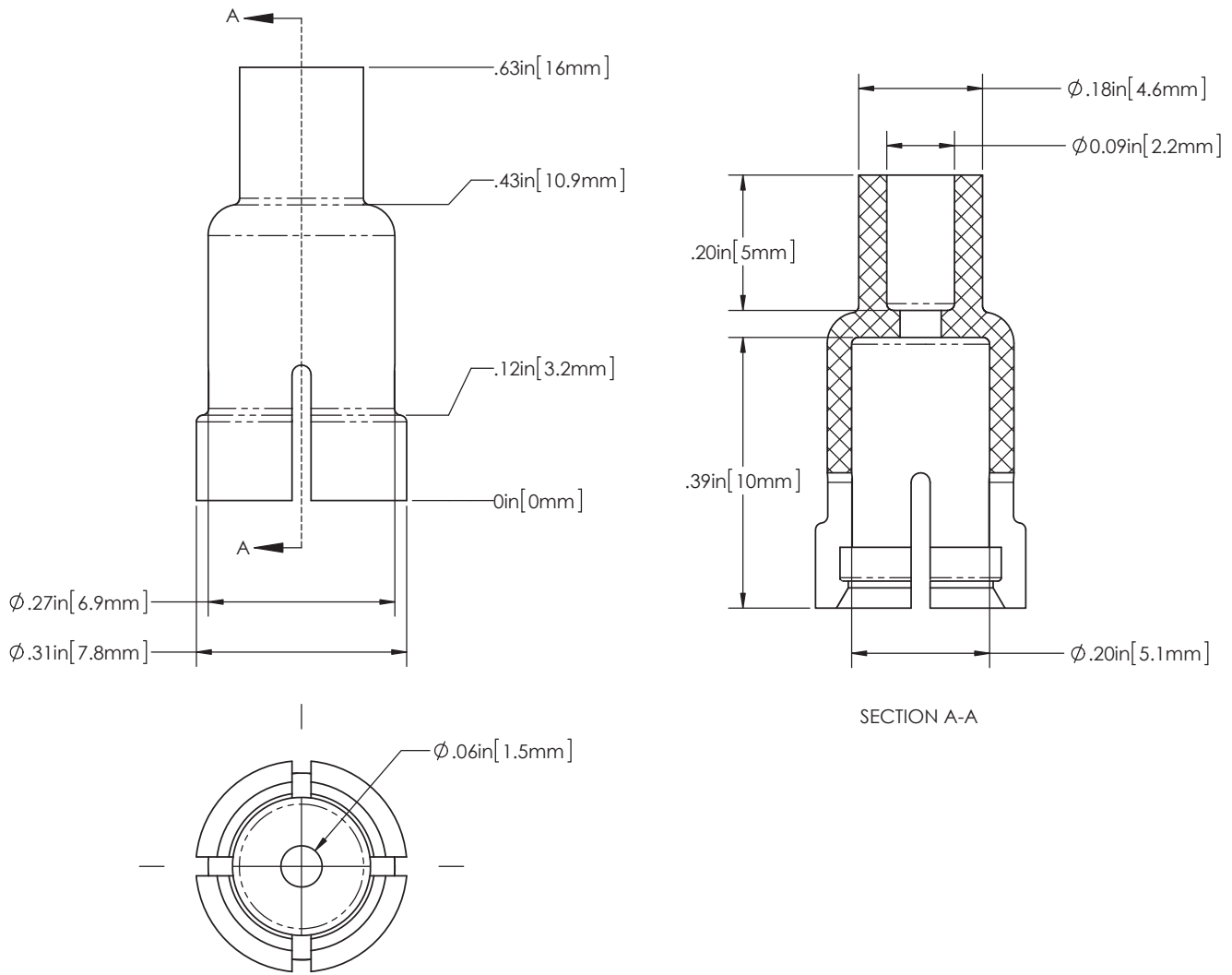


Key Features



- NOTES
1. ROHS COMPLIANT.
 2. UL 94-HB FLAMMABILITY RATING.
 3. -40°C TO 85°C OPERATING TEMPERATURE.
 4. SUITABLE FOR LIGHT PIPE WITH ∅2.2MM JACKET AND OPTICAL CORE NO GREATER THAN ∅1.5MM.
 5. DO NOT WAVE SOLDER WITH THIS DEVICE.
 6. FOR BEST RESULTS USE ONLY NARROW VIEWING ANGLE NON-DIFFUSED LEDs WITH OUTPUT POWER GREATER THAN 100mcd.

Product Dimensions



Standard Tolerance of ± 0.005 inch / ± 0.25 mm

Compliances and Approvals

