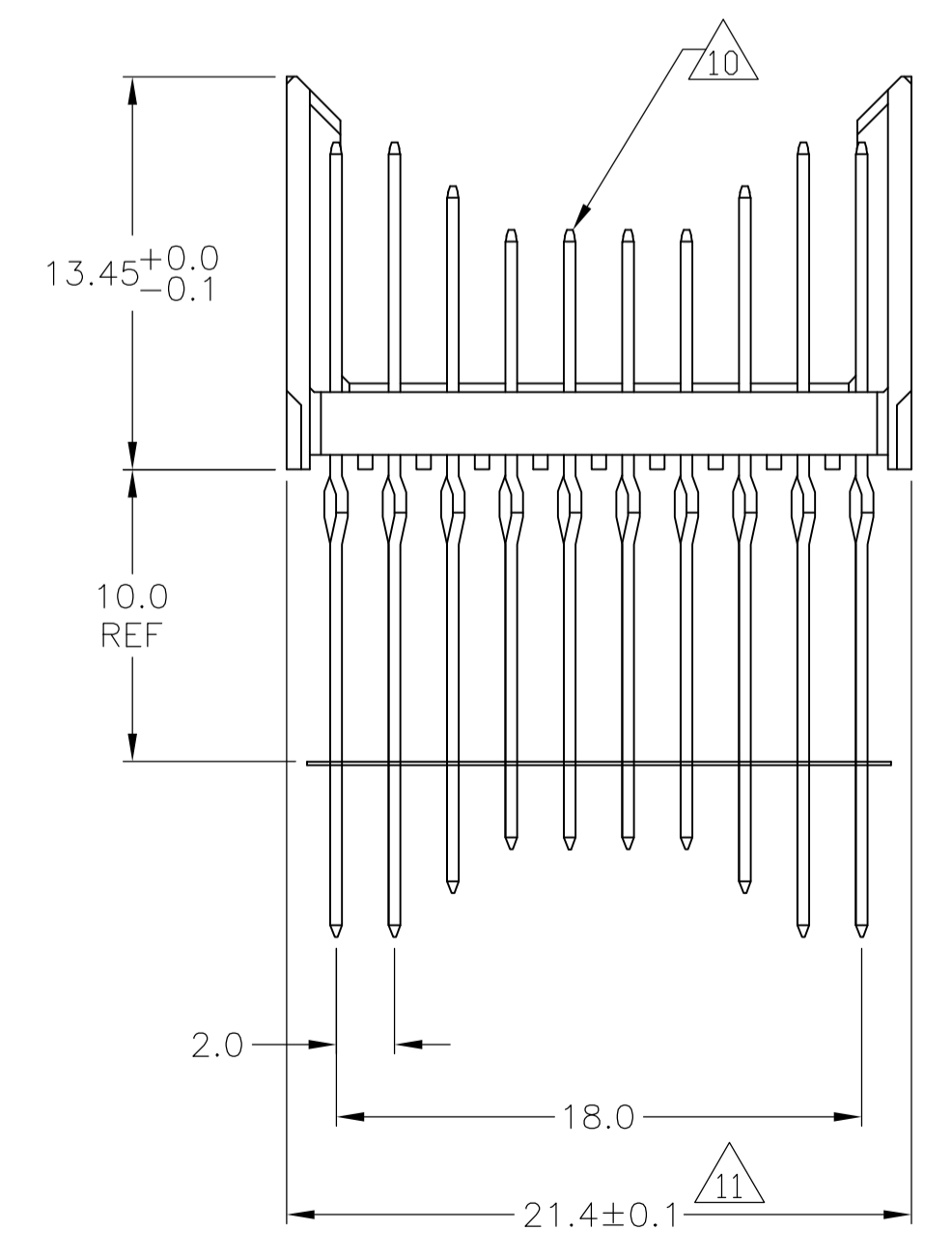
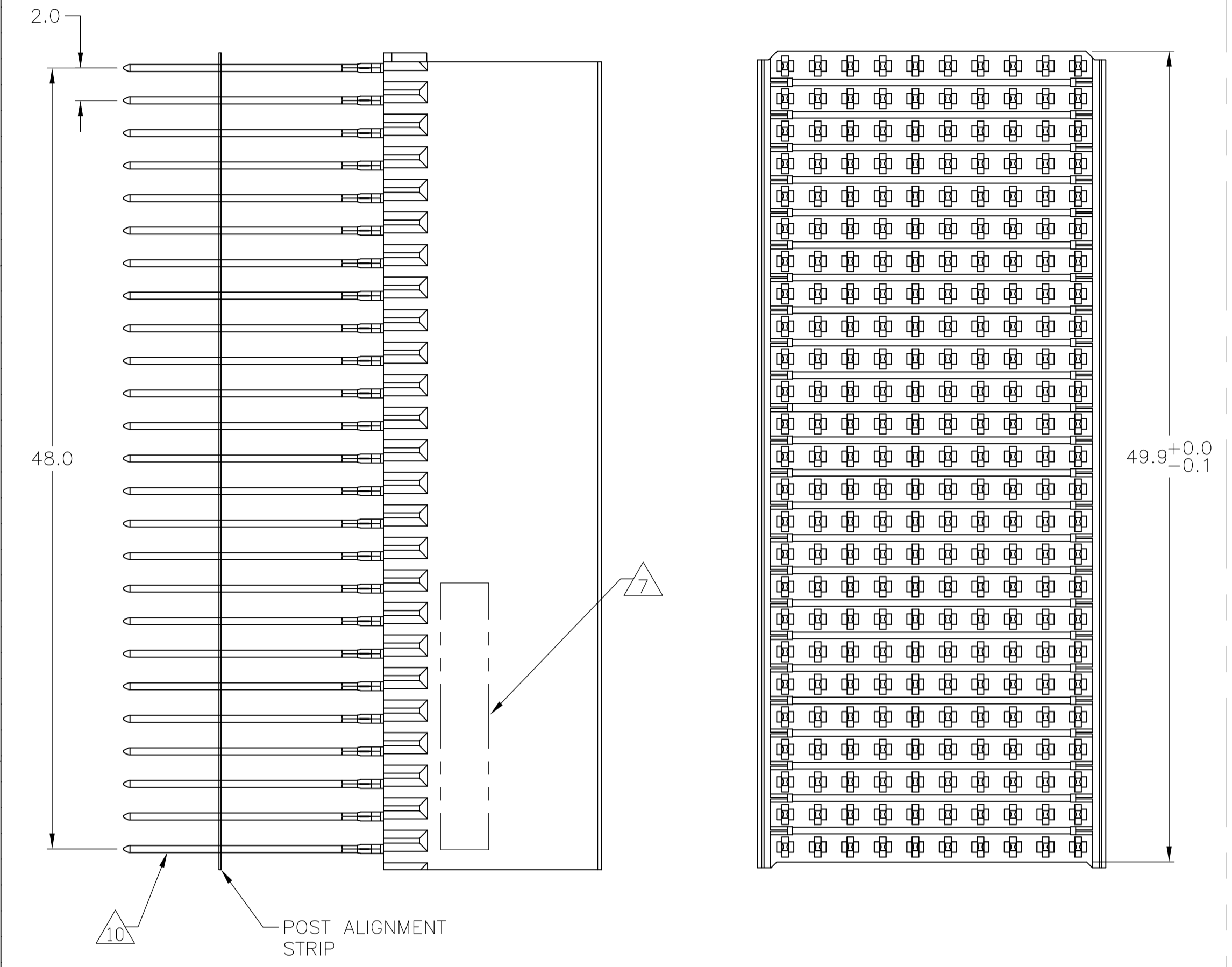
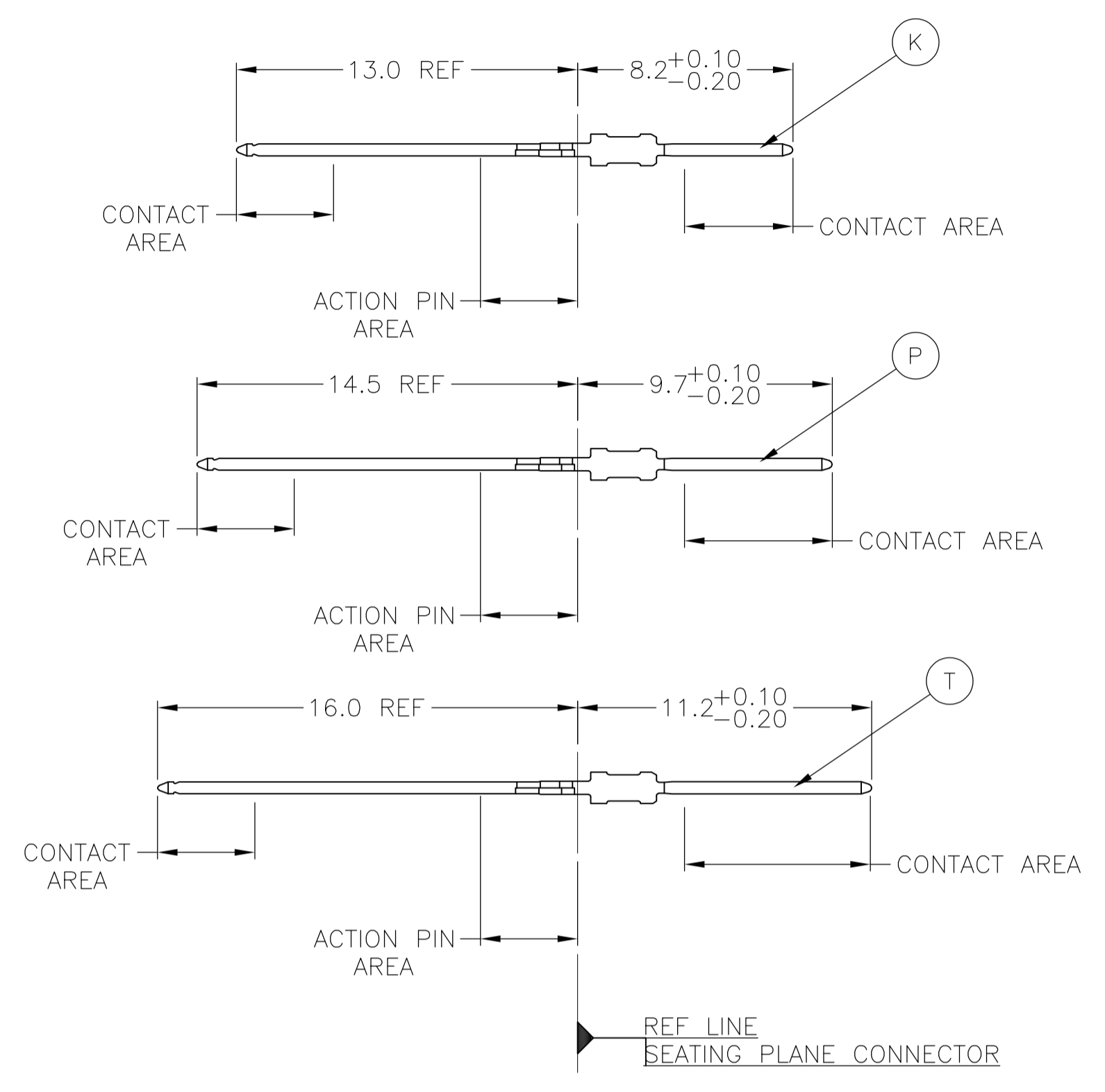


LOC		DIST		REVISIONS			
P	LTR	DESCRIPTION	DATE	DMN	APVD		
A		REVISED PER ECN 0512-0303-05	17APR06	JDP	GES		
B		ECR-10-018652	10SEP10	JS	MQW		

### CONNECTOR ASSEMBLY EXAMPLARY LOADED



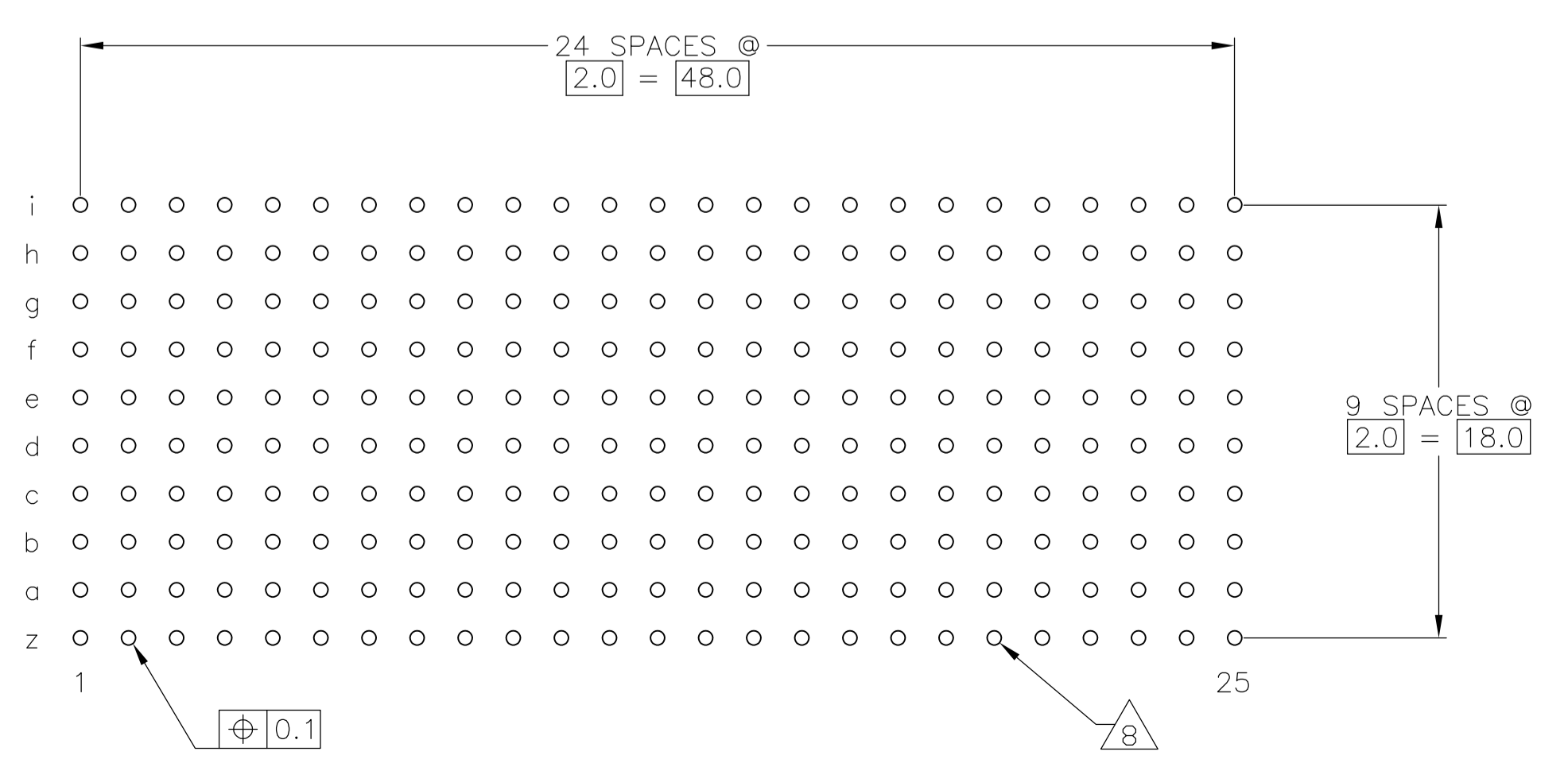
### CONTACT DIMENSIONS SCALE 5:1



### CONTACT LAYOUT

	z	a	b	c	d	e	f	g	h	i
1	T	T	P	K	K	K	K	P	T	T
2	T	T	P	K	K	K	K	P	T	T
3	T	T	P	K	K	K	K	P	T	T
4	T	T	P	K	K	K	K	P	T	T
5	T	T	P	K	K	K	K	P	T	T
6	T	T	P	K	K	K	K	P	T	T
7	T	T	P	K	K	K	K	P	T	T
8	T	T	P	K	K	K	K	P	T	T
9	T	T	P	K	K	K	K	P	T	T
10	T	T	P	K	K	K	K	P	T	T
11	T	T	P	K	K	K	K	P	T	T
12	T	T	P	K	K	K	K	P	T	T
13	T	T	P	K	K	K	K	P	T	T
14	T	T	P	K	K	K	K	P	T	T
15	T	T	P	K	K	K	K	P	T	T
16	T	T	P	K	K	K	K	P	T	T
17	T	T	P	K	K	K	K	P	T	T
18	T	T	P	K	K	K	K	P	T	T
19	T	T	P	K	K	K	K	P	T	T
20	T	T	P	K	K	K	K	P	T	T
21	T	T	P	K	K	K	K	P	T	T
22	T	T	P	K	K	K	K	P	T	T
23	T	T	P	K	K	K	K	P	T	T
24	T	T	P	K	K	K	K	P	T	T
25	T	T	P	K	K	K	K	P	T	T

### RECOMMENDED PCB-HOLE LAYOUT COMPONENT SIDE SHOWN



### PLATED THRU HOLES PARAMETERS REFERENCE APPLICATION SPECIFICATION

2 6 12	1-5646376-9
2 5 12	5646376-9
2 4	5646376-4
2 3	5646376-1
FINISH	PART NUMBER


THIS DRAWING IS A CONTROLLED DOCUMENT.

DIMENSIONS: mm	TOLERANCES UNLESS OTHERWISE SPECIFIED:	0-PLC ±	1-PLC ±0.1	2-PLC ±0.2	3-PLC ±	4-PLC ±	ANGLES ±
MATERIAL	FINISH	SEE TABLE					

DMN: S. WAITMAN	20JUL05	Tyco Electronics Corporation Harrisburg, Pa 17105-3608
CHK: G. SKIPPER	20JUL05	
APVD: G. SKIPPER	20JUL05	NAME: MALE ASSEMBLY, Z-PACK 2mm HM, TYPE E
PRODUCT SPEC: 108-1622	APPLICATION SPEC: 114-19029	SIZE: A1
WEIGHT: -	CAGE CODE: 00779	DRAWING NO: 5646376
CUSTOMER DRAWING	SCALE: 4:1	SHEET: 1 OF 2

LOC		DIST		REVISIONS				
P	LTR	DESCRIPTION	DATE	DN	APVD			
AD	00	SEE SHEET 1	-	-	-			

- 1 MATERIAL:  
CONTACT: PHOSPHOR BRONZE.  
HOUSING: GLASS-FILLED POLYESTER.
- 2 GENERAL PLATING SPECIFICATION: UNDERPLATING  
(ENTIRE CONTACT): 1.27µm MIN NICKEL AND ACTION  
PIN: 0.5µm MIN TIN.  
FOR PLATING OF MATING SURFACES SEE APPLICABLE  
SPECIFICATION REFERENCE FOR EACH DASH NUMBER.
- 3 CONFORMS TO ALL TESTING ACCORDING TO IEC 61076-4-101  
PERFORMANCE LEVEL 2.
- 4 CONFORMS TO ALL TESTING ACCORDING TO IEC 61076-4-101  
PERFORMANCE LEVEL 1.
- 5 CONNECTOR TESTED AND QUALIFIED AGAINST TELCORDIA GR-1217-CORE QUALITY LEVEL 3,  
CENTRAL OFFICE APPLICATIONS.
- 6 CONNECTOR TESTED AND QUALIFIED AGAINST TELCORDIA GR-1217-CORE QUALITY LEVEL 3,  
UNCONTROLLED ENVIROMENT APPLICATIONS.
- 7 CONNECTOR MARKED WITH PART NUMBER AND DATE CODE.  
ADDITIONAL CHARACTERS OR MARKINGS, AS WELL AS THE LOCATION OF THE MARKINGS,  
MAY BE ADDED FOR TRACEABILITY BASED UPON MANUFACTURERS DISCRETION.
- 8 PLATED-THROUGH HOLES AT 2x2mm SQUARE GRID  
PATTERN DEFINED BY CONTACT LAYOUT.
- 9 FOR ACTUAL PIN LOADING SEE "CONTACT LAYOUT".
- 10 FOR ACTUAL PIN DIMENSIONS SEE "CONTACT DIMENSIONS".
- 11 TO BE MEASURED AT BOTTOM OF SHROUD.
- 12 CONNECTOR LUBRICATED WITH BELCORE APPROVED LUBRICANT,  
TECHNICAL REFERENCE: TR-NWT-001217 ISSUE 1, SEP 1992.

THIS DRAWING IS A CONTROLLED DOCUMENT.		DWN S. WAITMAN 20JUL05 CHK G. SKIPPER 20JUL05 APVD G. SKIPPER 20JUL05	 Tyco Electronics Corporation Harrisburg, Pa 17105-3608
DIMENSIONS: mm	TOLERANCES UNLESS OTHERWISE SPECIFIED: 0-PLC ± 1-PLC ±0.1 2-PLC ± 3-PLC ± 4-PLC ± ANGLES ± 1°	PRODUCT SPEC 108-1622 APPLICATION SPEC 114-19029	NAME MALE ASSEMBLY, Z-PACK 2mm HM, TYPE E
MATERIAL SEE SHEET 1	FINISH SEE SHEET 1	WEIGHT -	SIZE A1 CAGE CODE 00779 DRAWING NO. C=5646376 RESTRICTED TO -
CUSTOMER DRAWING		SCALE 4:1	SHEET 2 OF 2 REV B