

MODEL:

PDU3VN6G60C

3-Phase Monitored Rack-Mount PDU



200/208/240V
3-Phase
Input



Blue IEC 309
60A (3P+E) Plug



200/208/240V
Single-Phase
Output



36 Total
Outlets



18.7kW Load
Capacity



Multimode
Meter



Network
Interface

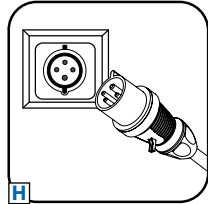


0U
Rack-Mount

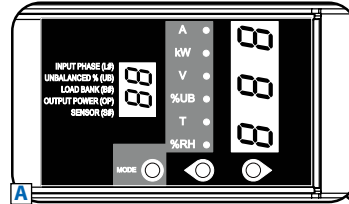


Toolless
Mounting
Buttons

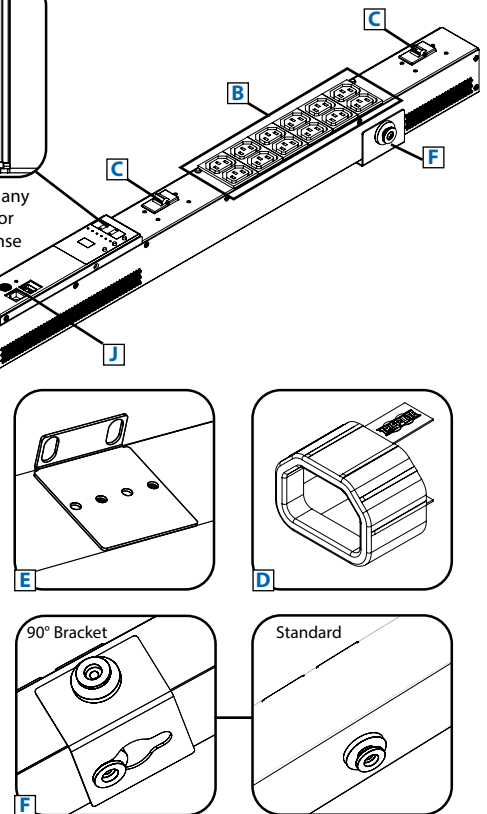
- A** Multimode Meter
- B** C13 Outlet Banks with Multi-Function LEDs
- C** 20A 2-Pole Hydraulic Magnetic Circuit Breakers
- D** C13 Plug Inserts
- E** Removable Mounting Brackets
- F** Toolless Mounting Buttons with Removable 90° Rotation Brackets
- G** 6 ft. Input Power Cord
- H** Blue IEC 309 60A (3P+E) Plug
- I** Durable Metal Case
- J** Network Interface
- K** RJ45 Ethernet Jack
- L** Manual Configuration Port
- M** Environmental Monitoring Port
- N** Network Interface Reset Button



AC Input Connection: Insert Blue IEC 309 60A (3P+E) Plug into compatible utility, generator or UPS outlet.



Multimode Meter: Display the load for any phase or bank, display temperature or humidity (requires optional EnviroSense sensor), display the IP address or rotate the display 180°.



Network Interface: Connect to Ethernet for remote monitoring via SNMP, Web or Telnet.

Note: Installed 17.67 mm toolless mounting buttons can be replaced with included 14.17 mm buttons for additional compatibility.

Specifications

Model	PDU3VN6G60C
Voltage	200/208/240V (3-Phase Input/Single-Phase Output)
Frequency	50/60 Hz
Load Capacity	15.6/16.2/18.7kW
Input Plug	Blue IEC 309 60A (3P+E)
Input Cord Length	6 ft.
Outlets	36 C13
Primary Mounting Option	0U (Vertical) Rack-Mount
Shipping Weight	26 lb.
Unit Weight & Dimensions	18.7 lb. / 70 x 2.17 x 2.49 (HxWxD in inches) See next page for detailed unit measurements.
Standards	Tested to UL 60950-1 (US & Canada), NOM (Mexico), FCC Class A, TAA Compliant

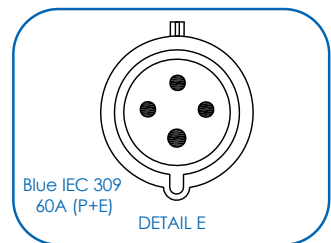
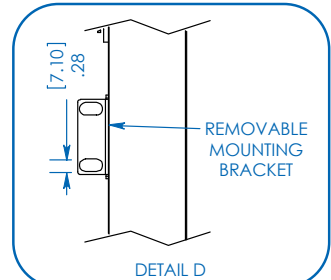
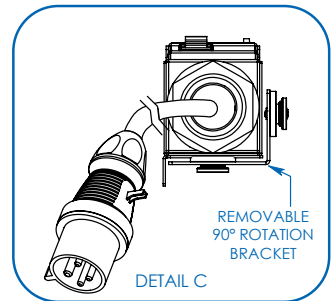
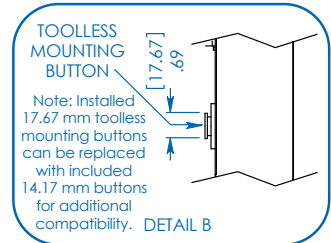
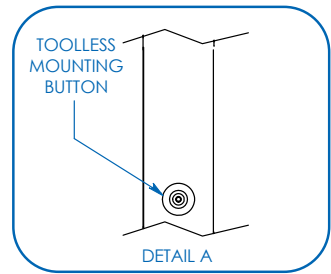
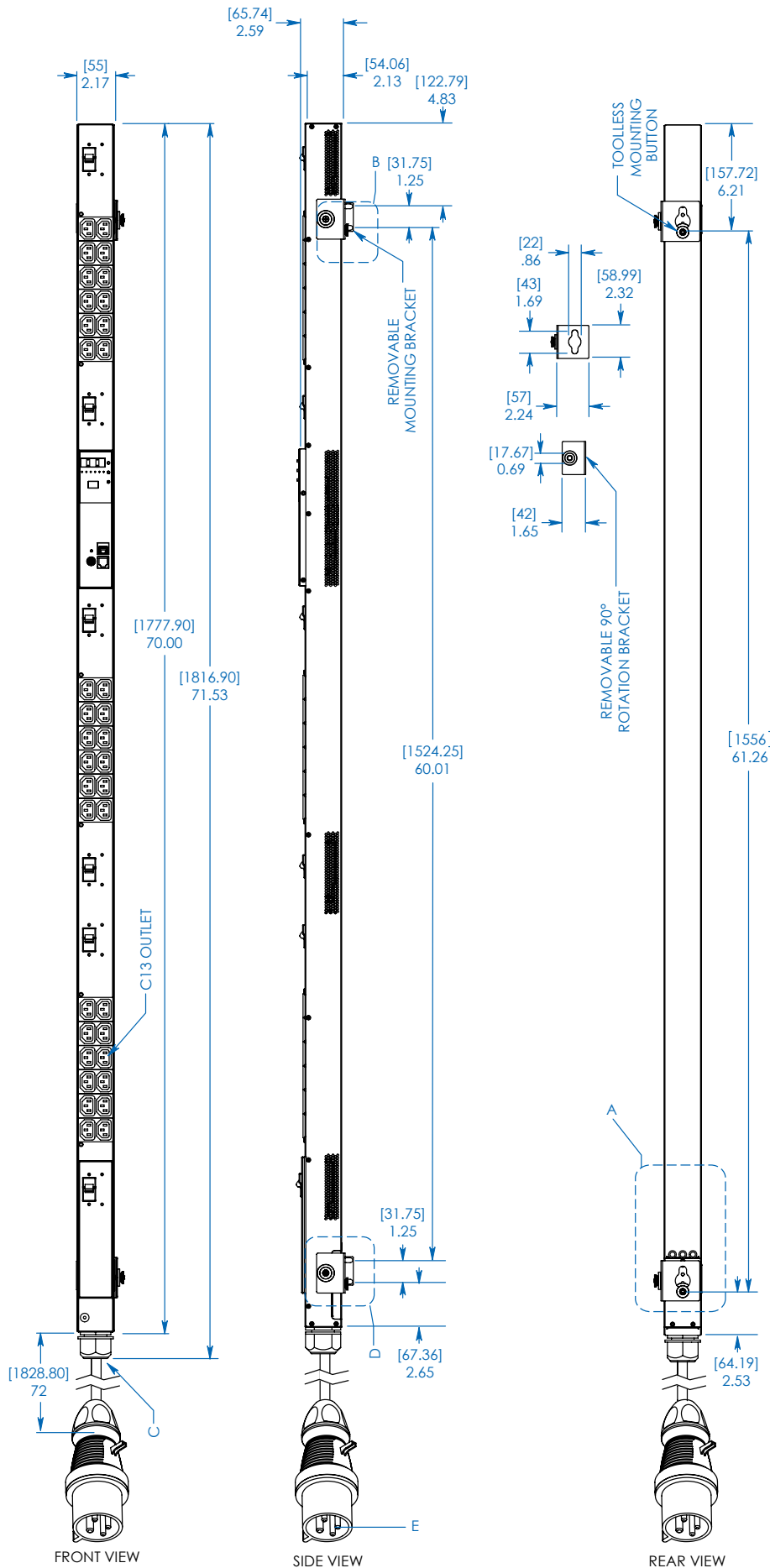


- Distributes power to 36 outlets (6 C13 outlets per bank)
- Remote monitoring and control via SNMP, Web or Telnet
- Displays load for each bank, phase and total output in real time with 1% billing-grade accuracy
- Perfect for rack-mount server, network and telecom applications

SEE NEXT PAGE FOR DETAILED UNIT MEASUREMENTS



1111 W. 35th Street
Chicago, IL 60609 USA
773.869.1234
www.tripplite.com



Dimensions: [mm] INCHES

Tripp Lite has a policy of continuous improvement. Specifications are subject to change without notice.

MODEL:
PDU3VN6G60C



1111 W. 35th Street
Chicago, IL 60609 USA
773.869.1234

www.tripplite.com