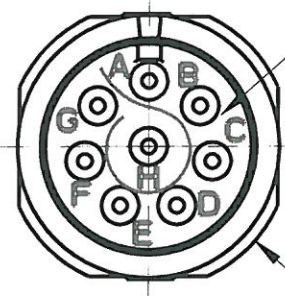
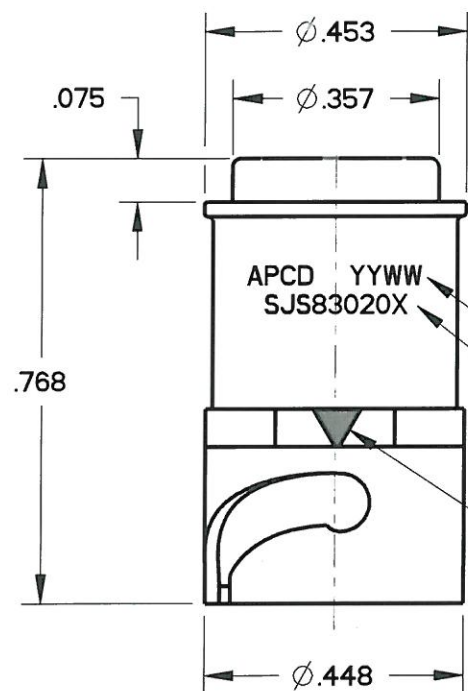


REV	ECN	APP'D
-	6253	JT 8/6/08
A	6297	JT 1/14/09
B	6431	JT 10/28/09
C	6716	JT 8/18/11



GROMMET MARKING
.040 HIGH CHARACTERS
COLOR: CONTRASTING

∅.493

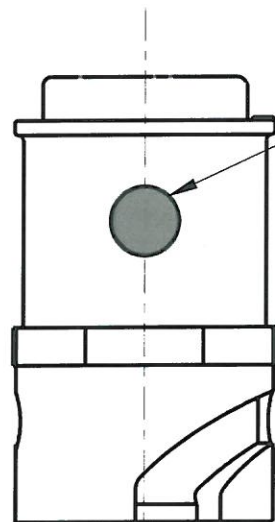


APCD YYWW
SJS83020X

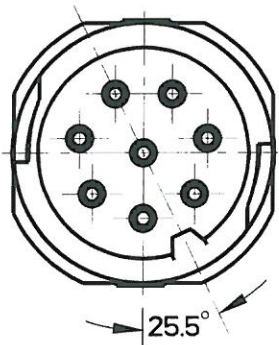
DATE CODE

PART MARKING
COLOR: SEE TABLE 1

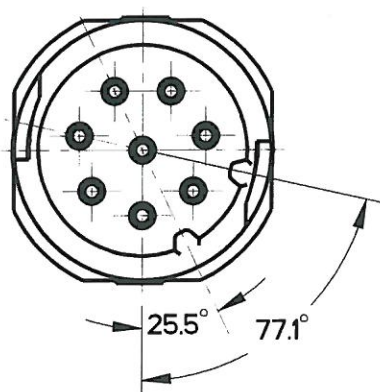
MARKING
COLOR: SEE TABLE 1
TWO SIDES



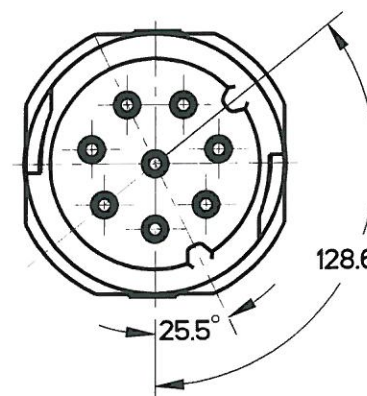
DOT
COLOR: SEE TABLE 1



KEY A (BLACK)



KEY B (GREEN)



KEY C (YELLOW)

APCD P/N	HOUSING COLOR	MARKING COLOR	KEY CONFIGURATION
SJS830200	BLACK	WHITE	A
SJS830201	GREEN	BLACK	B
SJS830202	YELLOW	BLACK	C

- NOTES:
1. MATERIALS:
HOUSING: PA6/6
CONTACT RETAINER: STAINLESS STEEL
GROMMET: SILICONE RUBBER PER A-A-59588
2. ACCEPTS M39029/58-360 PIN CONTACTS (NOT INCLUDED)
3. TEST REPORT: TR-1592.
4. PART MATES WITH SJS83010X

DIMENSIONS	TOLERANCES	PROJECTION	TITLE		
ANSI Y14.5M UNITS: INCHES Pro/E FILE	.XX ±0.01 .XXX ±0.005 ANGLES ±2.0°		Amphenol Pcd SPECIFICATION DRAWING ENGR WESLEY YU 07-Oct-08 CHKD <i>[Signature]</i> 8/18/11 ARPB <i>[Signature]</i> 8/18/11		
ORIGINAL	THIS DOCUMENT CONTAINS PROPRIETARY INFORMATION WHICH IS THE CONFIDENTIAL PROPERTY OF AMPHENOL PCD INC., BEVERLY, MA				
			CODE: 58982	SCALE: 3:1	SHEET 1 OF 1

SJS830200

SJS830200