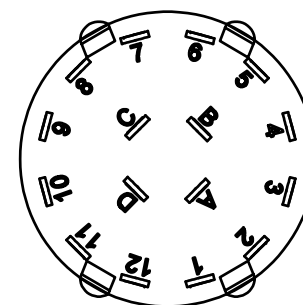
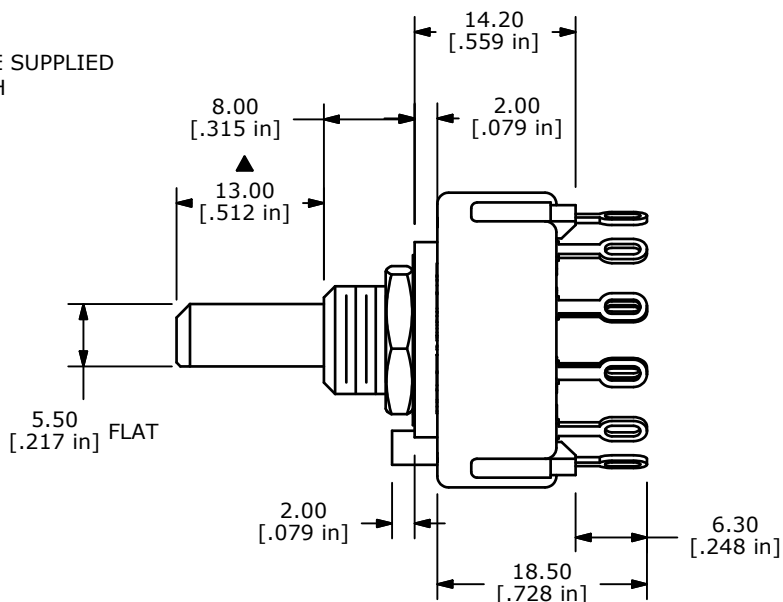
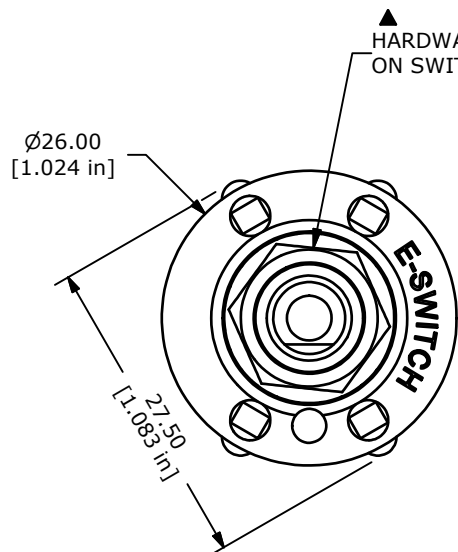
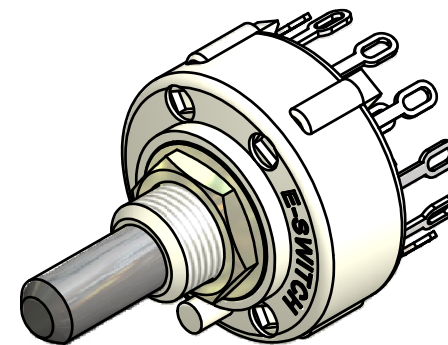


CONTACT CONFIGURATION  
TIMING (BBM) NON-SHORTING



- NOTE:
1. ALL DIMENSIONS IN MM[INCH].
  2. GENERAL TOLERANCE: X.X=± 0.4  
X.XX=± 0.25
  3. TERM. NOS. FOR REFERENCE ONLY.
  4. CONTACT MATERIAL: GOLD FLASH OVER SILVER PLATE
  5. CONTACT RATING: 0.3A @ 125V AC
  6. CONTACT RESISTANCE: < 50m OHMS
  7. OPERATING FORCE: 0.8 ± 0.3 Kg-cm
  8. OPERATING TEMP: -30°C TO 85°C
  - ▲ 9. CIRCUIT 4P: 4 POLE: 3 POSITIONS, 30° INDEX
  10. DIELECTRIC STRENGTH: AC500V - 1 MIN.
  - ▲ 11. HARDWARE SUPPLIED ON SWITCH:  
LOCKWASHER, HEXNUT
  12. ▲ DENOTES CRITICAL PARAMETER.



B	20435	CORRECT FLAT POSITION ON ACTUATOR	2/1/12	BGL
A	19975	RELEASED FOR PRODUCTION	06/03/11	BMA
REV	PCR NO	DESCRIPTION	DATE	BY

TITLE KC43A13.001NLF				
SCALE	DATE	DR	DWG	REV
1.5:1	6/3/2011	BMA	G510279	B

THE INFORMATION CONTAINED IN THIS DOCUMENT IS PROPRIETARY TO E-SWITCH AND IS NOT TO BE COPIED OR TRANSFERRED