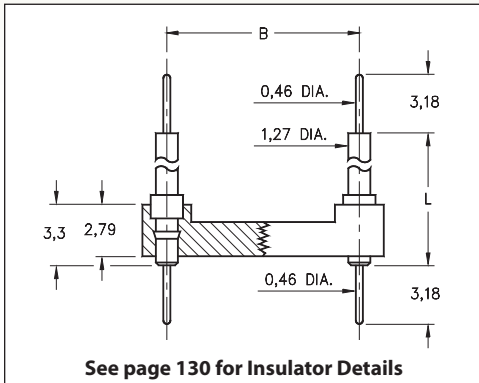
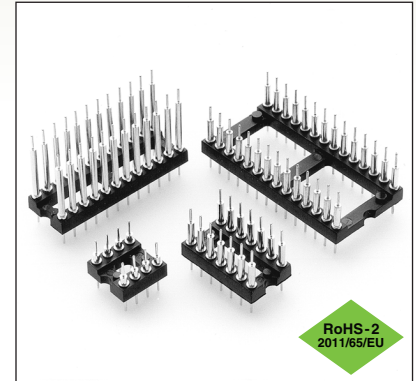


DUAL-IN-LINE HEADERS

SERIES 142 • INTERCONNECT • OPEN FRAME



- Series 142 DIL Headers have double-ended 0,46 diameter pluggable solder tails
- Used to interconnect PC Boards with spacings of 5,33, 8,51, 14,86 or 21,21. Series 142 uses MM #4259-1, -2, -3 or -4 pins. See page 212 for details
- Insulators are high temperature thermoplastic, suitable for all soldering operations
- For Electrical, Mechanical and Environmental Data, see page 264 for details



Total number of pins				Quantity per tube	ORDERING INFORMATION			
	A	B	C		L = 5,33	L = 8,51	L = 14,86	L = 21,21
6	7,6	7,62	10,1	67	142-XX-306-00-591000	142-XX-306-00-592000	142-XX-306-00-593000	142-XX-306-00-594000
8	10,1	7,62	10,1	50	142-XX-308-00-591000	142-XX-308-00-592000	142-XX-308-00-593000	142-XX-308-00-594000
14	17,7	7,62	10,1	29	142-XX-314-00-591000	142-XX-314-00-592000	142-XX-314-00-593000	142-XX-314-00-594000
16	20,3	7,62	10,1	25	142-XX-316-00-591000	142-XX-316-00-592000	142-XX-316-00-593000	142-XX-316-00-594000
18	22,8	7,62	10,1	22	142-XX-318-00-591000	142-XX-318-00-592000	142-XX-318-00-593000	142-XX-318-00-594000
20	25,3	7,62	10,1	40	142-XX-320-00-591000	142-XX-320-00-592000	142-XX-320-00-593000	142-XX-320-00-594000
24	30,4	7,62	10,1	17	142-XX-324-00-591000	142-XX-324-00-592000	142-XX-324-00-593000	142-XX-324-00-594000
22	27,8	10,16	12,7	14	142-XX-422-00-591000	142-XX-422-00-592000	142-XX-422-00-593000	142-XX-422-00-594000
24	30,4	15,24	17,7	16	142-XX-624-00-591000	142-XX-624-00-592000	142-XX-624-00-593000	142-XX-624-00-594000
28	35,5	15,24	17,7	14	142-XX-628-00-591000	142-XX-628-00-592000	142-XX-628-00-593000	142-XX-628-00-594000
32	40,6	15,24	17,7	12	142-XX-632-00-591000	142-XX-632-00-592000	142-XX-632-00-593000	142-XX-632-00-594000
40	50,8	15,24	17,7	10	142-XX-640-00-591000	142-XX-640-00-592000	142-XX-640-00-593000	142-XX-640-00-594000
<div style="border: 1px solid black; border-radius: 50%; padding: 5px; display: inline-block;"> XX=Plating Code See to Right </div>					SPECIFY PLATING CODE XX =			
					Pin Plating		10 ◆	90
					0,25µm Au	5,08µm Sn/Pb	5,08µm Sn	

