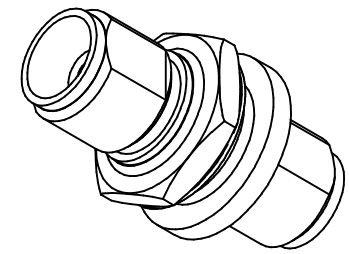
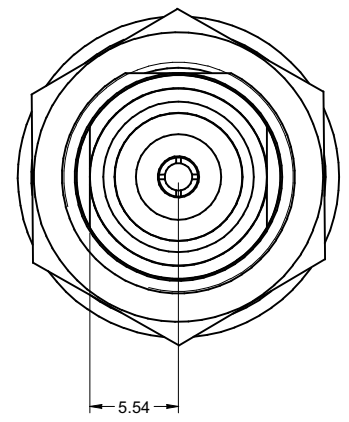
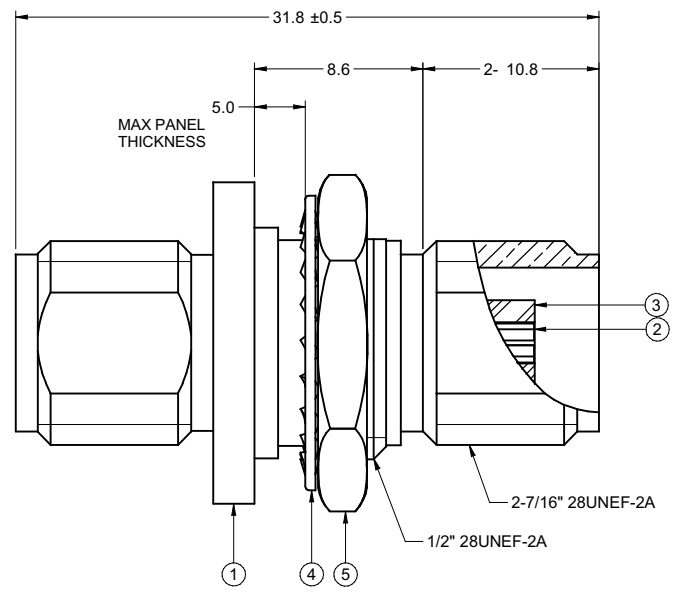


PART NUMBER	ITEM ① BODY	ITEM ② CONTACT	ITEM ③ INSULATOR	ITEM ④ LOCK WASHER	ITEM ⑤ HEX NUT
27-9067	BRASS NICKEL PLATED	BERYLLIUM Ni/Au PLATED	TPX	BRASS NICKEL PLATED	BRASS NICKEL PLATED

DRAWING NO. 27-9067	
REVISIONS	
01	OFFICIAL RELEASE 2009.09.18 Betty Yu +08'00



NOTES:
1. TECHNICAL DETAIL: REFER TO EMERSON DOCUMENT P/N 28-0000

受控 CONTROLLED DOCUMENT					
编号 P/N	27-9067	版本 Rev	01	日期 Rel'd Date	SEP 17, 09

TOLERANCE UNLESS OTHERWISE SPECIFIED	DRAWN BY VON.WANG	DATE 08-18-09
DECIMALS	CHECKED BY BETTY.YU	DATE 08-18-09
X	APPROVED BY THOMAS	DATE 08-18-09
X.X	U/M	mm
X.XX		
ANGLES		

EMERSON Network Power		Connectivity Solutions	
TITLE CPAD356 TNC(F-F) CHAS MNT 1/2"			
SHEET 1 OF 1	DRAWING NO. 27-9067	SIZE C	

THIS DRAWING WAS PRODUCED BY COMPUTER, DO NOT SCALE DRAWING OR UPDATE MANUALLY.

THIS DRAWING TO BE INTERPRETED PER ANSI Y 14.5M - 1994

COMPANY CONFIDENTIAL