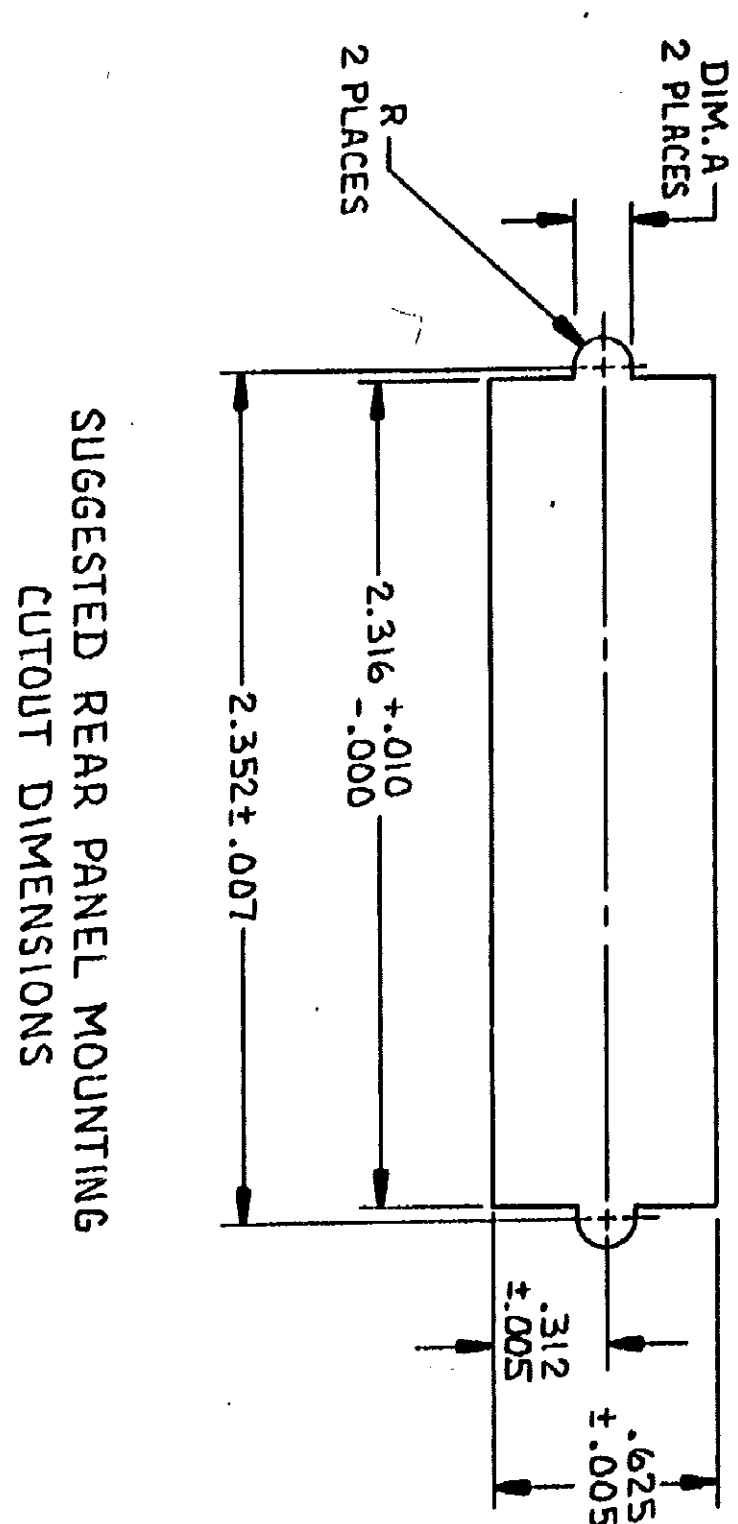
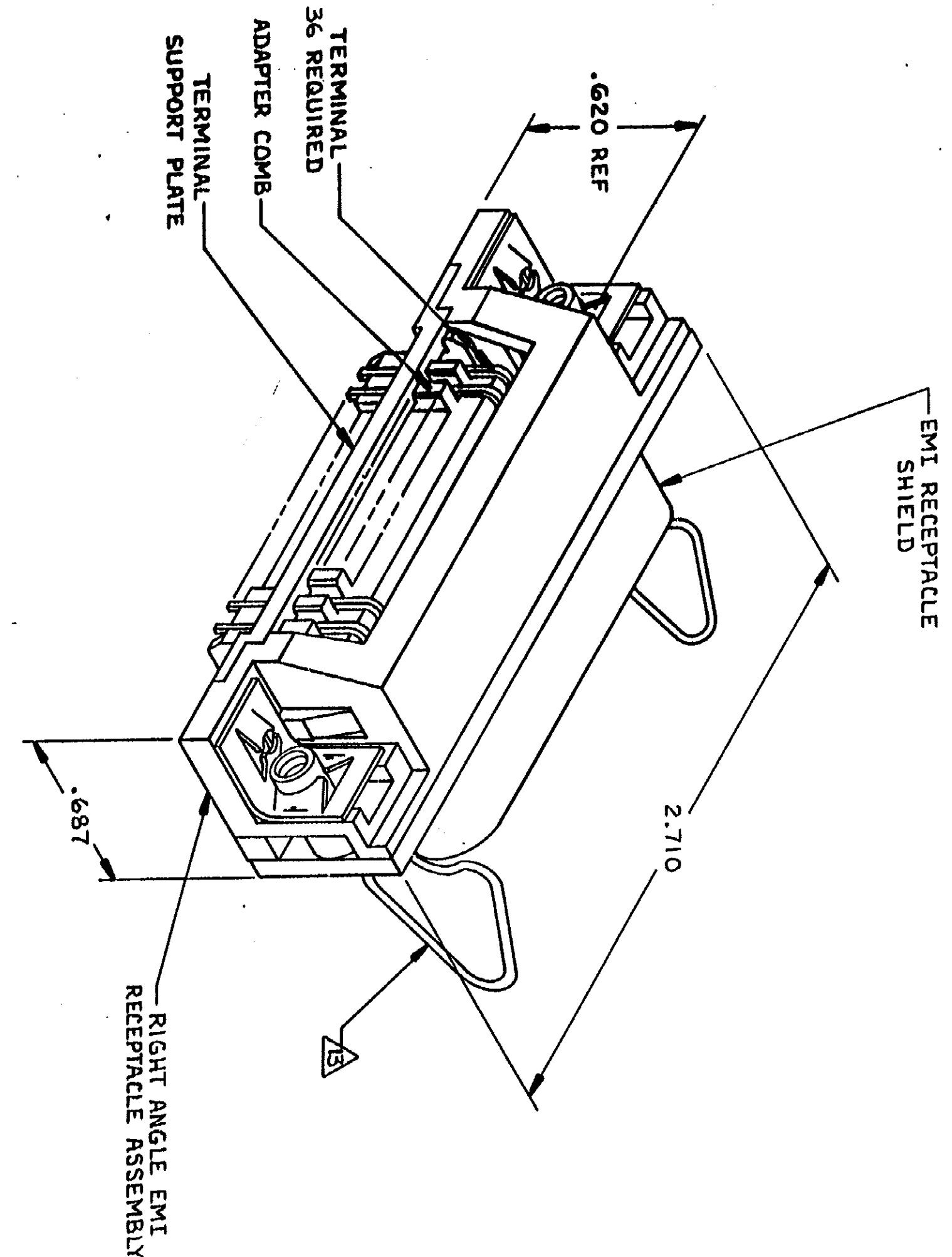
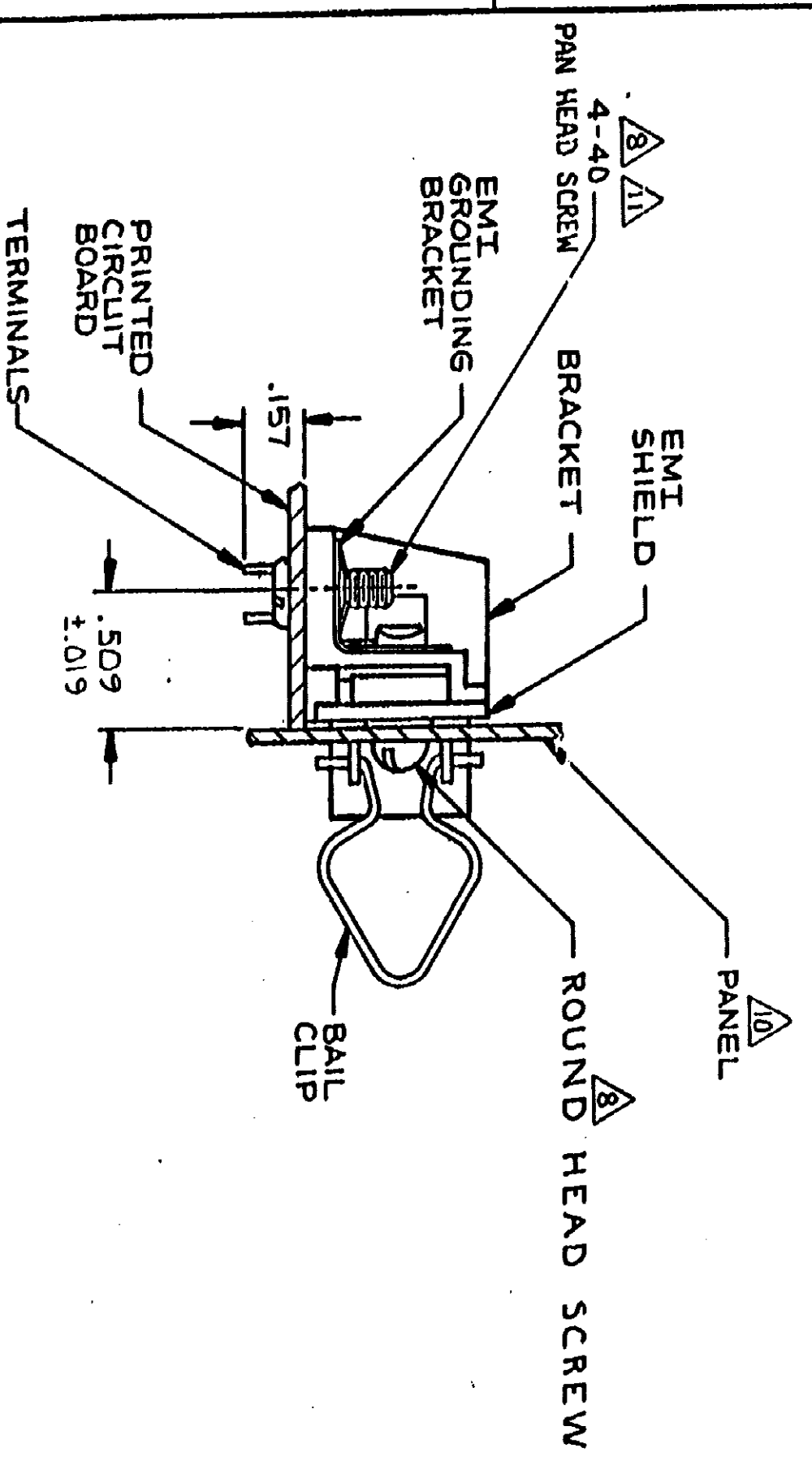
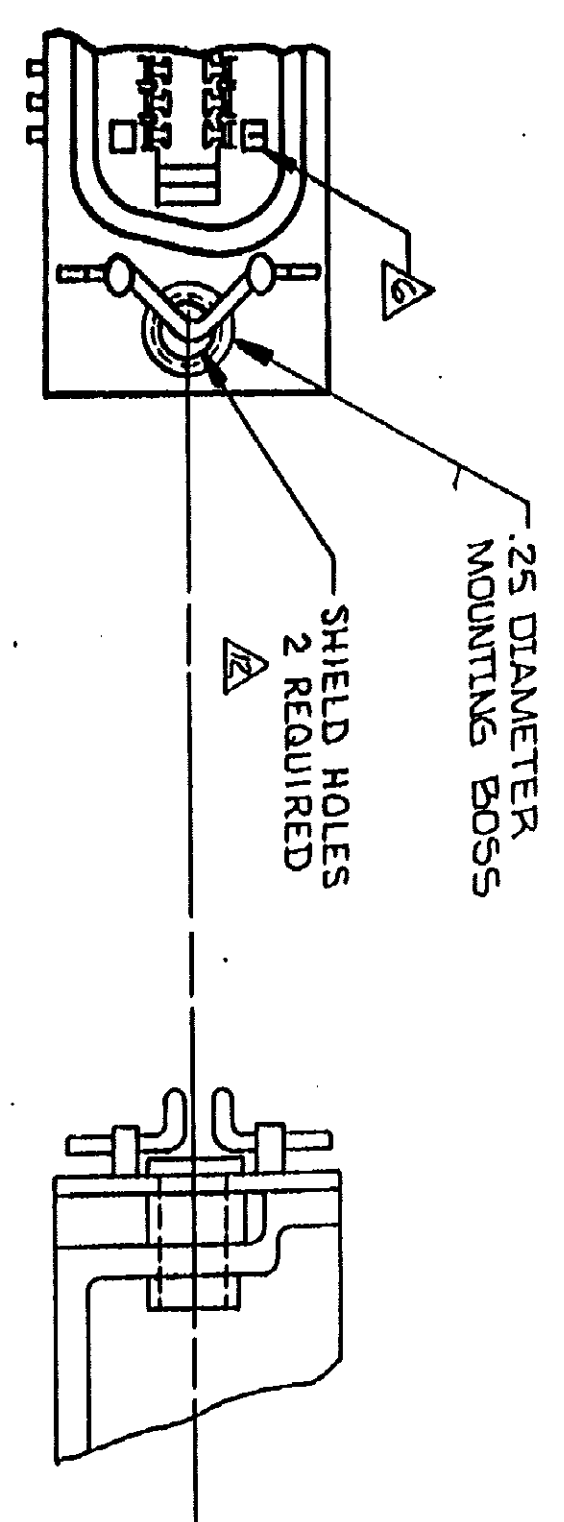
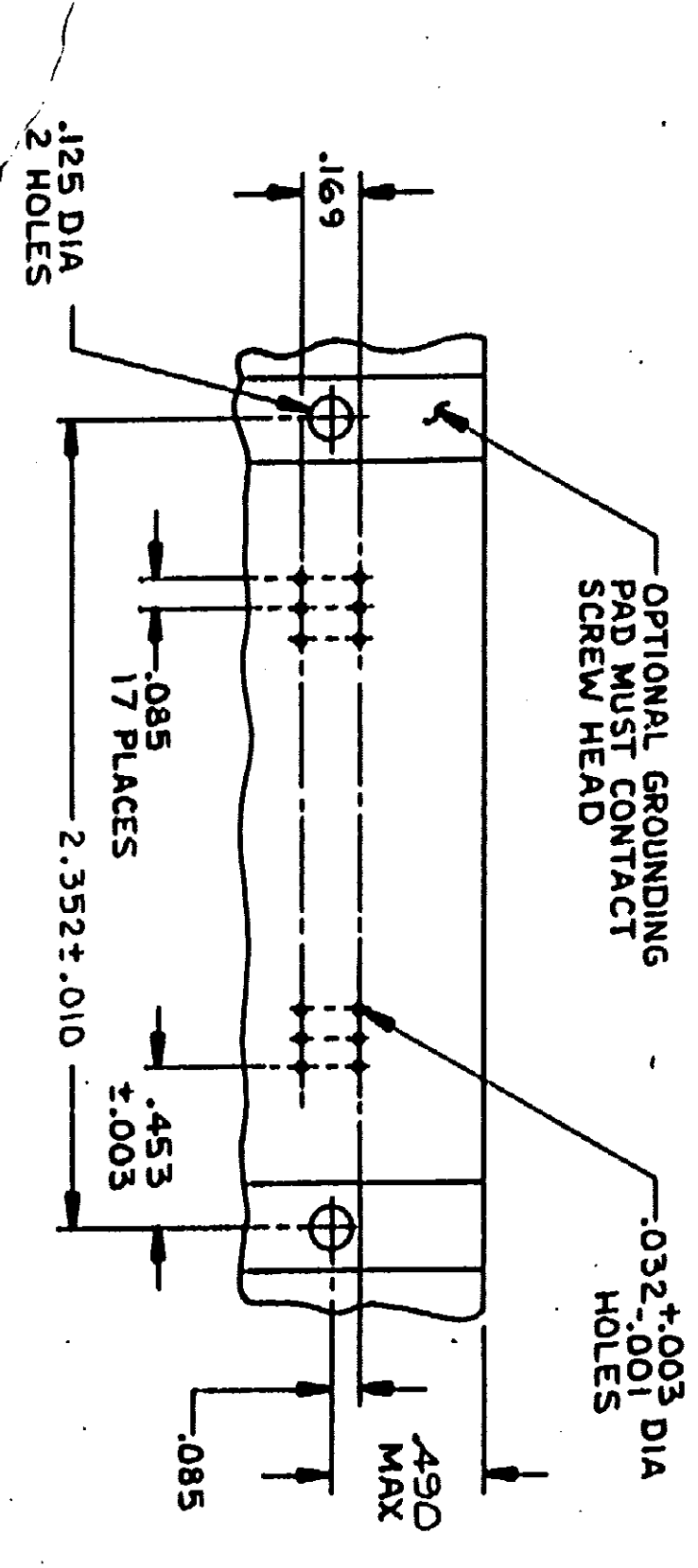


DRAWING MADE IN THIRD ANGLE PROJECTION

THIS DRAWING IS UNPUBLISHED. RELEASED FOR PUBLICATION
 © COPYRIGHT 1982 BY AMP INCORPORATED, HARRISBURG, PA. ALL INTERNATIONAL RIGHTS RESERVED. AMP PRODUCTS MAY BE COVERED BY U.S. AND FOREIGN PATENTS AND/OR PATENTS PENDING.

REV	ZONE	TR	DESCRIPTION	DATE	APPROVED
1			REVISIONS		
2			SOBLETE: 4-EDN WA-7986	1-15-92	LIBS



- 1 MATERIAL: HOUSING, BRACKET, ADAPTER COMB AND TERMINAL SUPPORT PLATE-THERMOPLASTIC (BLACK). EMI SHIELD-BRIGHT NICKEL OVER COPPER PLATED DIE CASTING. TERMINALS-TAILS-TIN LEAD OVER NICKEL PLATED HIGH STRENGTH COPPER ALLOY. MATTING SURFACE-LOCALIZED GOLD OVER NICKEL PLATED HIGH STRENGTH COPPER ALLOY. BAIL CLIPS-PASSIVATED STAINLESS STEEL.
- 2 THE CONTACT SURFACES OF THE TERMINALS ARE COATED WITH LUBRICANT.
- 3 CENTER-TO-CENTER SPACING OF TERMINALS IS .085.
- 4 ALL DIMENSIONS SHOWN ARE FOR REFERENCE ONLY UNLESS OTHERWISE SPECIFIED.
- 5 DETAIL A&B ARE VIEWED FROM MATING SIDE OF RECEPTACLE ASSEMBLY.
- 6 TERMINAL 1 LOCATED IN THIS ROW FOR STANDARD ORIENTATION.
- 7 SCREWS SHOWN FOR REFERENCE ONLY.
- 8 BAIL CLIPS&EMI SHIELD ARE ASSEMBLED TO CONNECTOR BEFORE SHIPMENT.
- 9 PANEL THICKNESS RANGE: .062 MAX.
- 10 STAINLESS STEEL SCREWS RECOMMENDED BECAUSE OF CONTACT WITH SOLDER BATH.
- 11 HOLES TO BE TAPPED AFTER PLATING.

UNLESS OTHERWISE SPECIFIED, DIMENSIONS ARE IN INCHES. DECIMALS \pm ANGLES \pm		CONTRACT NO. 0 X44 7-26-82	
MATERIAL		DR. 8-4-82	CH. 8-4-82
FINISH		APPRO. 2-1-82	DESIGN APPRO. 5-1-82
OTHER APPRO.		NAME ASSEMBLY EMI RECEPTACLE, 36 POSITION, BAIL LOCK (CHAMP, PRINTED CIRCUIT BOARD, RIGHT ANGLE, PANEL MOUNTING)	
SIZE	FSM NO.	DRAWING NO.	
D	00779	553815	
SCALE 2:1		SHEET 1 OF 1	

CUSTOMER DRAWING

AMP 1726-3 REV 2-81