

# Linear Li-Ion Battery Charger with Thermal Regulation in ThinSOT

## FEATURES

- Programmable Charge Current up to 800mA
- No External MOSFET, Sense Resistor or Blocking Diode Required
- Constant-Current/Constant-Voltage Operation with Thermal Regulation Maximizes Charge Rate Without Risk of Overheating\*
- Charges Single Cell Li-Ion Batteries Directly from USB Port
- Preset 4.2V Charge Voltage with  $\pm 1\%$  Accuracy
- Current Monitor Pin for Charge Termination
- 25 $\mu$ A Supply Current in Shutdown Mode
- Low Battery Charge Conditioning (Trickle Charging)
- Soft-Start Limits Inrush Current
- Available in a Low Profile (1mm) SOT-23 Package

## APPLICATIONS

- Wireless PDAs
- Cellular Phones
- Portable Electronics

LT, LTC and LT are registered trademarks of Linear Technology Corporation.  
ThinSOT is a trademark of Linear Technology Corporation.  
\*U.S. Patent No. 6522118

## DESCRIPTION

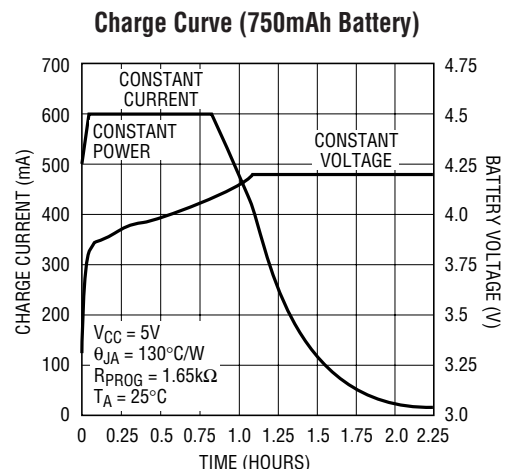
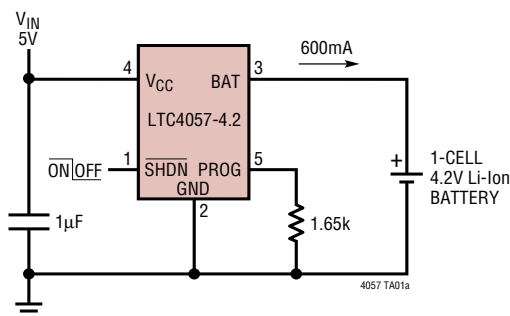
The LTC<sup>®</sup>4057 is a constant-current/constant-voltage linear charger for single-cell lithium-ion batteries. Its ThinSOT<sup>™</sup> package and low external component count make the LTC4057 especially well suited for portable applications. Furthermore, the LTC4057 is specifically designed to work within USB power specifications.

No external sense resistor is needed and no blocking diode is required due to the internal MOSFET architecture. Thermal feedback prevents overheating by regulating the charge current to limit the die temperature during high power operation or high ambient temperature conditions. The charge voltage is preset at 4.2V and the charge current can be programmed externally with a single resistor.

When the input supply (wall adapter or USB supply) is removed, the LTC4057 automatically enters a low current state, dropping the battery drain current to less than 2 $\mu$ A. With power applied, the LTC4057 can be put into shutdown mode, reducing the supply current to 25 $\mu$ A.

For the standalone version (on-board charge termination) of the LTC4057, refer to the LTC4054.

## TYPICAL APPLICATION



4057 TA01b

## ABSOLUTE MAXIMUM RATINGS

**(Note 1)**

|                                      |                          |
|--------------------------------------|--------------------------|
| Input Supply Voltage ( $V_{CC}$ )    | -0.3V to 10V             |
| PROG                                 | -0.3V to $V_{CC} + 0.3V$ |
| BAT                                  | -0.3V to 7V              |
| SHDN                                 | -0.3V to 10V             |
| BAT Short Circuit Duration           | Continuous               |
| BAT Pin Current                      | 800mA                    |
| PROG Pin Current                     | 800 $\mu$ A              |
| Junction Temperature                 | 125°C                    |
| Operating Ambient Temperature Range  |                          |
| (Note 2)                             | -40°C to 85°C            |
| Storage Temperature Range            | -65°C to 125°C           |
| Lead Temperature (Soldering, 10 sec) | 300°C                    |

## PACKAGE/ORDER INFORMATION

|  |                   |
|--|-------------------|
|  | ORDER PART NUMBER |
|  | LTC4057ES5-4.2    |
|  | S5 PART MARKING   |
|  | LTAEW             |

Consult LTC Marketing for parts specified with wider operating temperature ranges.

## ELECTRICAL CHARACTERISTICS

The ● denotes the specifications which apply over the full operating temperature range, otherwise specifications are at  $T_A = 25^\circ\text{C}$ .  $V_{CC} = 5V$

| SYMBOL        | PARAMETER  | CONDITIONS   | MIN    | TYP     | MAX     | UNITS            |    |
|---------------|--|--|--------|---------|---------|------------------|----|
| $V_{CC}$      | Input Supply Voltage                                 |  | ● 4.25 |         | 6.5     | V                |    |
| $I_{CC}$      | Input Supply Current                                 | $I_{BAT} = 0\text{mA}$ , $R_{PROG} = 2k$<br>Shutdown Mode ( $SHDN = 0V$ ,<br>$V_{CC} < V_{BAT}$ , or $V_{CC} < V_{UV}$ ) | ●      | 200     | 600     | $\mu$ A          |    |
|               |  |  | ●      |         | 50      | $\mu$ A          |    |
| $V_{FLOAT}$   | Regulated Output (Float) Voltage                     | $I_{BAT} = 40\text{mA}$ , $0^\circ\text{C} < T_A < 85^\circ\text{C}$   |        | 4.158   | 4.2     | 4.242            | V  |
| $I_{BAT}$     | BAT Pin Charge Current                               | $R_{PROG} = 10k$ ; Current Mode  | ● 93   | 100     | 107     | mA               |    |
|               |  | $R_{PROG} = 2k$ ; Current Mode   | ● 465  | 500     | 535     | mA               |    |
|               |  | Shutdown Mode ( $SHDN = 0V$ )  |        | $\pm 1$ | $\pm 2$ | $\mu$ A          |    |
|               |  | Sleep Mode ( $V_{CC} = 0V$ )   |        | $\pm 1$ | $\pm 2$ | $\mu$ A          |    |
| $I_{TRIKL}$   | Trickle Charge Current                               | $V_{BAT} < 2.9V$ ; $R_{PROG} = 2k$ ( $I_{CHG} = 500\text{mA}$ )  | ● 20   | 50      | 70      | mA               |    |
| $V_{TRIKL}$   | Trickle Charge Threshold Voltage                     | $R_{PROG} = 10k$ ; $V_{BAT}$ Rising  |        | 2.8     | 2.9     | 3.0              | V  |
|               |  | Hysteresis   |        | 60      | 80      | 110              | mV |
| $V_{UV}$      | $V_{CC}$ Undervoltage Lockout Voltage                | From Low to High   | ● 3.7  | 3.8     | 3.9     | V                |    |
|               |  | Hysteresis   | ● 150  | 200     | 300     | mV               |    |
| $V_{ASD}$     | $V_{CC} - V_{BAT}$ Lockout Threshold Voltage         | $V_{CC}$ from Low to High  |        | 70      | 100     | 150              | mV |
|               |  | $V_{CC}$ from High to Low  |        | 5       | 30      | 70               | mV |
| $V_{PROG}$    | PROG Pin Voltage                                     | $R_{PROG} = 10k$ ; Current Mode  | ● 0.93 | 1.0     | 1.07    | V                |    |
| $V_{SHDN-IL}$ | SHDN Pin Input Low Voltage                           |  |        | 0.4     | 0.65    | V                |    |
| $V_{SHDN-IH}$ | SHDN Pin Input High Voltage                          |  |        | 0.65    | 1.0     | V                |    |
| $I_{SHDN}$    | SHDN Pin Input Current                               | $V_{SHDN} = 5V$  | ●      | 5       | 15      | $\mu$ A          |    |
| $T_{LIM}$     | Junction Temperature in Constant-Temperature Mode    |  |        | 120     |         | $^\circ\text{C}$ |    |
| $R_{ON}$      | Power FET "ON" Resistance (Between $V_{CC}$ and BAT) |  |        | 600     |         | $\text{m}\Omega$ |    |
| $t_{SS}$      | Soft-Start Time                                      | $I_{BAT} = 0$ to $I_{BAT} = 1000V/R_{PROG}$  |        | 100     |         | $\mu$ s          |    |

## ELECTRICAL CHARACTERISTICS

**Note 1:** Absolute Maximum Ratings are those values beyond which the life of a device may be impaired.

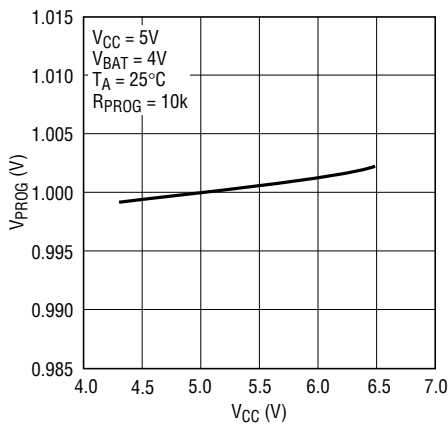
**Note 2:** The LTC4057 is guaranteed to meet performance specifications from 0°C to 70°C. Specifications over the -40°C to 85°C operating temperature

range are assured by design, characterization and correlation with statistical process controls.

**Note 3:** See Thermal Considerations.

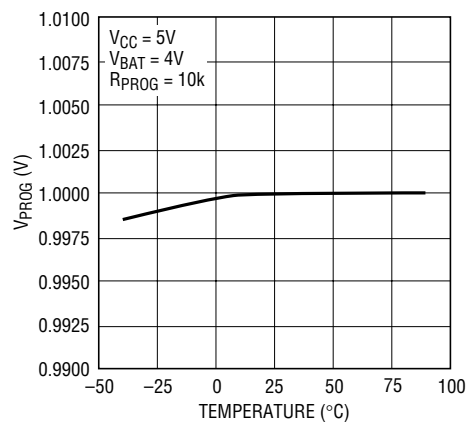
## TYPICAL PERFORMANCE CHARACTERISTICS

**PROG Pin Voltage vs Supply Voltage (Constant Current Mode)**



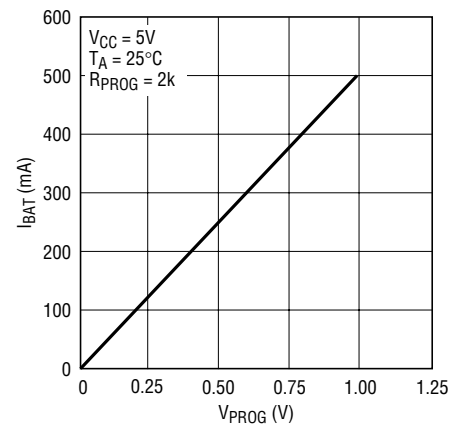
4057 G01

**PROG Pin Voltage vs Temperature (Constant Current Mode)**



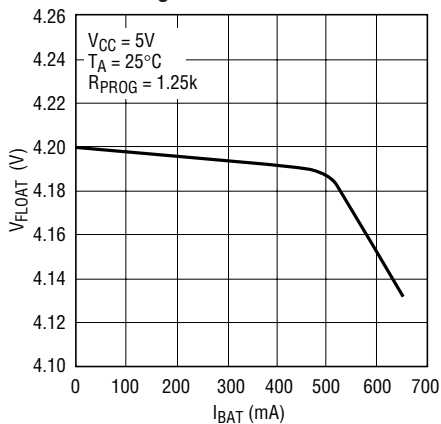
4057 G02

**Charge Current vs PROG Pin Voltage**



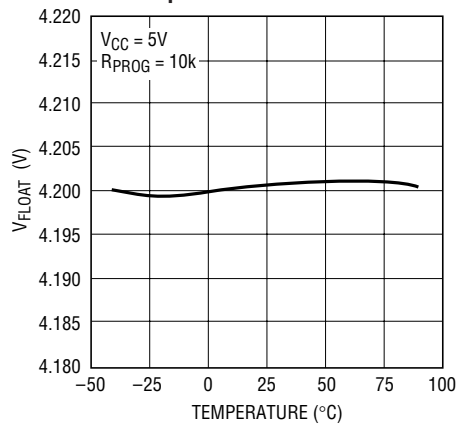
4057 G03

**Regulated Output (Float) Voltage vs Charge Current**



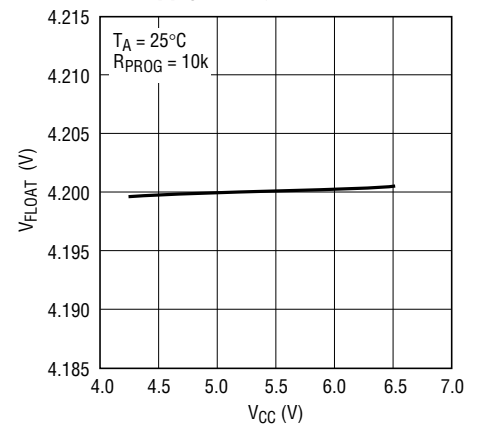
4057 G04

**Regulated Output (Float) Voltage vs Temperature**



4057 G05

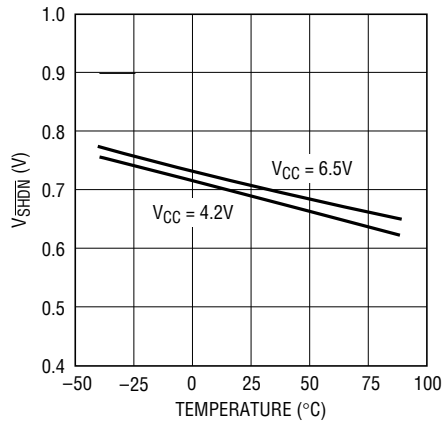
**Regulated Output (Float) Voltage vs Supply Voltage**



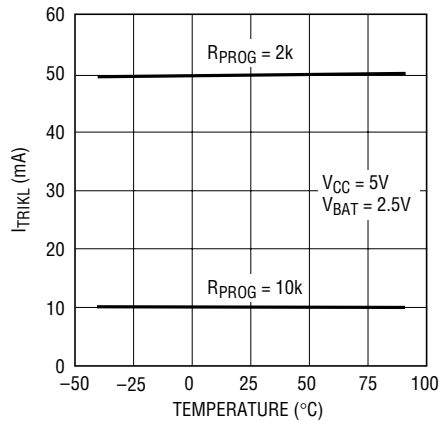
4057 G06

# TYPICAL PERFORMANCE CHARACTERISTICS

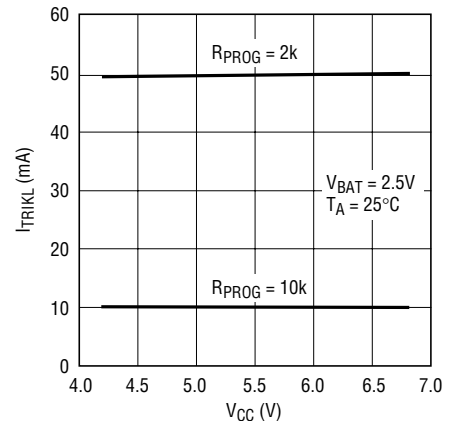
**SHDN Threshold Voltage vs Temperature and Supply Voltage**



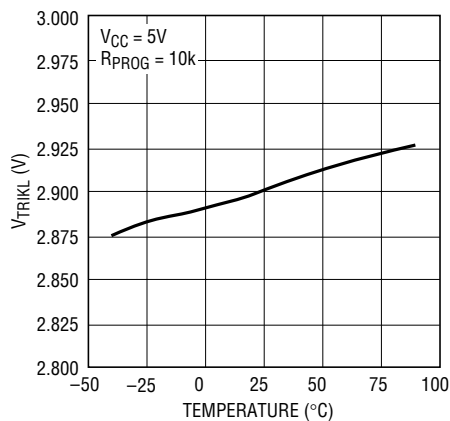
**Trickle Charge Current vs Temperature**



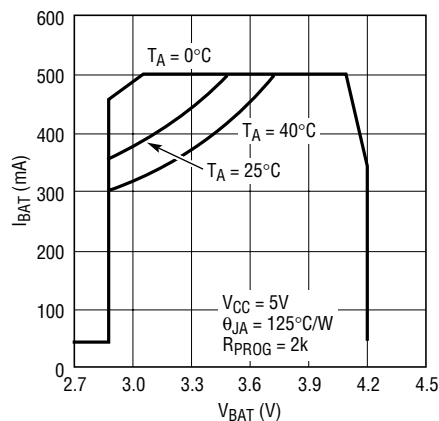
**Trickle Charge Current vs Supply Voltage**



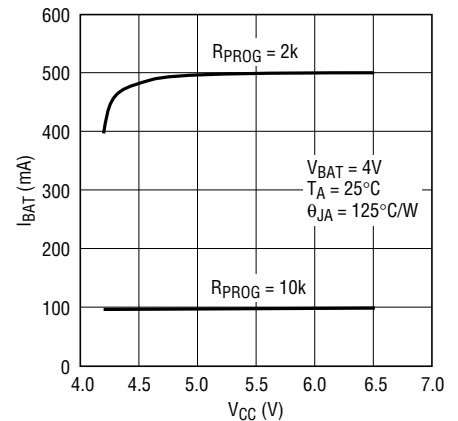
**Trickle Charge Threshold vs Temperature**



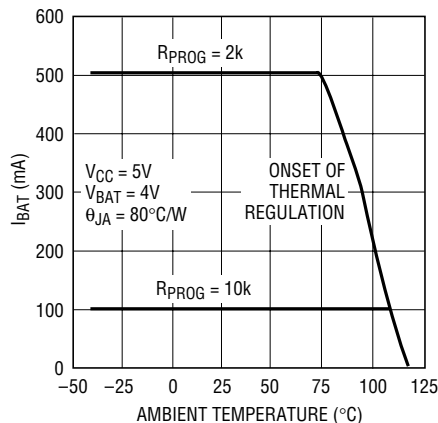
**Charge Current vs Battery Voltage**



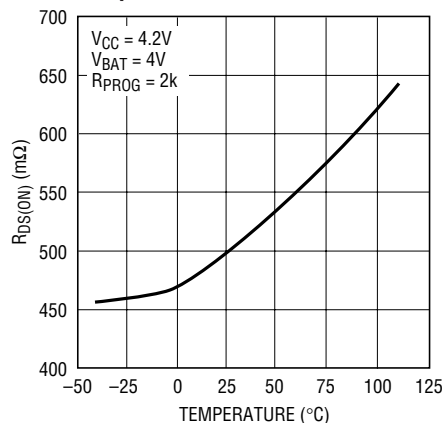
**Charge Current vs Supply Voltage**



**Charge Current vs Ambient Temperature**



**Power FET "ON" Resistance vs Temperature**



## PIN FUNCTIONS

**SHDN (Pin 1):** Shutdown Input. Pulling this pin low puts the LTC4057 in shutdown mode, thus stopping the charge current. In shutdown mode, the input supply current drops to 25 $\mu$ A and the battery drain current drops to less than 2 $\mu$ A. This pin has an internal 1M $\Omega$  resistor to GND.

**GND (Pin 2):** Ground.

**BAT (Pin 3):** Charge Current Output. Provides charge current to the battery and regulates the final float voltage to 4.2V. An internal precision resistor divider from this pin sets the float voltage and is disconnected in shutdown mode.

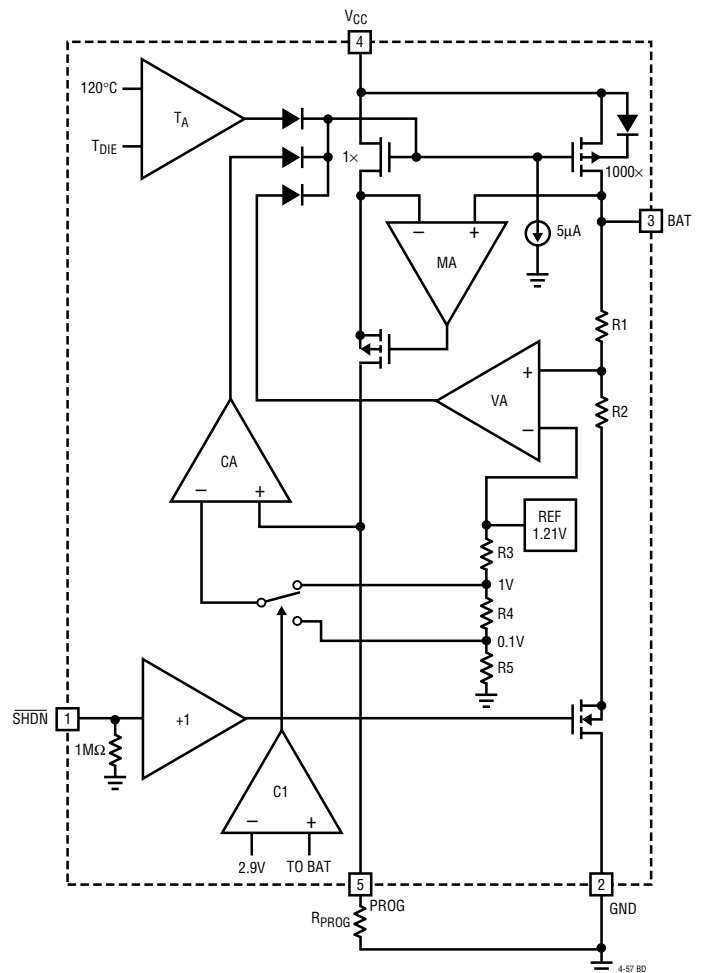
**V<sub>CC</sub> (Pin 4):** Positive Input Supply Voltage. Provides power to the charger. V<sub>CC</sub> can range from 4.25V to 6.5V and should be bypassed with at least a 1 $\mu$ F capacitor. When V<sub>CC</sub> drops to within 30mV of the BAT pin voltage, the LTC4057 enters shutdown mode, dropping I<sub>BAT</sub> to less than 2 $\mu$ A.

**PROG (Pin 5):** Charge Current Program and Charge Current Monitor Pin. The charge current is programmed by connecting a 1% resistor, R<sub>PROG</sub>, to ground. When charging in constant-current mode, this pin serves to 1V. In all modes, the voltage on this pin can be used to measure the charge current using the following formula:

$$I_{\text{BAT}} = (V_{\text{PROG}}/R_{\text{PROG}}) \cdot 1000$$

This pin is clamped to approximately 2.4V. Driving this pin to voltages beyond the clamp voltage will draw currents as high as 1.5mA.

## BLOCK DIAGRAM



## OPERATION

The LTC4057 is a single-cell lithium-ion battery charger using a constant-current/constant-voltage algorithm. It can deliver up to 800mA of charge current (using a good thermal PC board layout) with a final float voltage accuracy of  $\pm 1\%$ . The LTC4057 includes an internal P-channel power MOSFET and thermal regulation circuitry. No blocking diode or external current sense resistor is required and the LTC4057 is capable of operating from a USB power source.

### Normal Charge

Charging begins when  $\overline{\text{SHDN}}$  is high, the voltage at the  $V_{\text{CC}}$  pin rises above the UVLO threshold level and a program resistor is connected from the PROG pin to ground. If the BAT pin voltage is below 2.9V, the charger enters trickle-charge mode. In this mode, the LTC4057 supplies approximately 1/10 the programmed charge current to bring the battery voltage up to a safe level for full current charging.

When the BAT pin voltage rises above 2.9V, the charger enters constant-current mode, where the programmed charge current is supplied to the battery. When the BAT pin approaches the final float voltage (4.2V), the LTC4057 enters constant-voltage mode, and the charge current begins to decrease.

### Programming Charge Current

The charge current is programmed using a single resistor from the PROG pin to ground. The charge current is 1000 times the current out of the PROG pin. The program resistor and the charge current are calculated using the following equations:

$$R_{\text{PROG}} = \frac{1000V}{I_{\text{CHG}}}, I_{\text{CHG}} = \frac{1000V}{R_{\text{PROG}}}$$

The charge current out of the BAT pin can be determined at any time by monitoring the PROG pin voltage and using the following equation:

$$I_{\text{BAT}} = \frac{V_{\text{PROG}}}{R_{\text{PROG}}} \cdot 1000$$

### Thermal Limiting

An internal thermal feedback loop reduces the programmed charge current if the die temperature attempts to rise above a preset value of approximately 120°C. This feature protects the LTC4057 from excessive temperature and allows the user to push the limits of the power handling capability of a given circuit board without risk of damaging the LTC4057. The charge current can be set according to typical (not worst-case) ambient temperature with the assurance that the charger will automatically reduce the current in worst-case conditions. ThinSOT power considerations are discussed further in the Applications Information section.

### Undervoltage Lockout (UVLO)

An internal undervoltage lockout circuit monitors the input voltage and keeps the charger in shutdown mode until  $V_{\text{CC}}$  rises above the undervoltage lockout threshold. The UVLO circuit has a built-in hysteresis of 200mV. Furthermore, to protect against reverse current in the power MOSFET, the UVLO circuit keeps the charger in shutdown mode if  $V_{\text{CC}}$  falls to within 30mV of the battery voltage. If the UVLO comparator is tripped, the charger will not come out of shutdown mode until  $V_{\text{CC}}$  rises 100mV above the battery voltage.

### Shutdown Mode

The LTC4057 can also be put into shutdown mode at any time by applying logic “low” to the SHDN pin ( $V_{\overline{\text{SHDN}}} < 0.4V$ ). This reduces the battery drain current to less than 2 $\mu$ A and the input supply current to less than 50 $\mu$ A. Charging will resume when applying a logic “high” to the  $\overline{\text{SHDN}}$  pin ( $V_{\overline{\text{SHDN}}} > 1V$ ).

## APPLICATIONS INFORMATION

### Stability Considerations

The constant-voltage mode feedback loop is stable without an output capacitor provided a battery is connected to the charge output. When an output capacitor is used, especially high value low ESR ceramic types, it is recommended that a 1Ω resistor be placed in series with the capacitor to stabilize the voltage loop. The loop stability is determined by the bypass capacitor as well as the effective series resistance of the battery.

When the battery is disconnected and the LTC4057 is still powered, the voltage regulation loop should be compensated by placing a capacitor greater than 1μF from the BAT pin to ground with a 1Ω to 2Ω resistor in series with this capacitor. Alternatively, powering down the LTC4057 or placing it into shutdown mode when the battery is disconnected avoids this problem.

In constant-current mode, the PROG pin is in the feedback loop, not the battery. The constant-current mode stability is affected by the impedance at the PROG pin. With no additional capacitance on the PROG pin, the charger is stable with program resistor values as high as 20k. However, additional capacitance on this node reduces the maximum allowed program resistor value. The pole frequency at the PROG pin should be kept above 100kHz. Therefore, if the PROG pin is loaded with a capacitance,  $C_{PROG}$ , the following equation can be used to calculate the maximum resistance value for  $R_{PROG}$ :

$$R_{PROG} \leq \frac{1}{2\pi \cdot 10^5 \cdot C_{PROG}}$$

Average, rather than instantaneous, battery current may be of interest to the user. For example, if a switching power supply operating in low-current mode is connected in parallel with the battery, the average current being pulled out of the BAT pin is typically of more interest than the instantaneous current pulses. In such a case, a simple RC filter can be used on the PROG pin to measure the average battery current as shown in Figure 1. A 10k resistor has been added between the PROG pin and the filter capacitor to ensure stability.

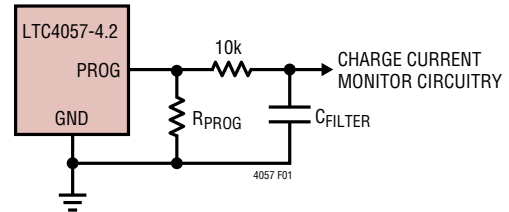


Figure 1. Isolating Capacitive Load on PROG Pin and Filtering

### Power Dissipation

The conditions that cause the LTC4057 to reduce charge current through thermal feedback can be approximated by considering the power dissipated in the IC. Nearly all of this power dissipation is generated by the internal MOSFET. This is calculated to be approximately:

$$P_D = (V_{CC} - V_{BAT}) \cdot I_{BAT}$$

where  $P_D$  is the power dissipated,  $V_{CC}$  is the input supply voltage,  $V_{BAT}$  is the battery voltage, and  $I_{BAT}$  is the charge current. The approximate ambient temperature at which the thermal feedback begins to protect the IC is:

$$T_A = 120^\circ\text{C} - P_D \theta_{JA}$$

$$T_A = 120^\circ\text{C} - (V_{CC} - V_{BAT}) \cdot I_{BAT} \cdot \theta_{JA}$$

Example: An LTC4057 operating from a 4.5V USB supply is programmed to supply 600mA full-scale current to a discharged Li-Ion battery with a voltage of 3.7V. Assuming  $\theta_{JA}$  is 150°C/W (see Board Layout Considerations), the ambient temperature at which the LTC4057 will begin to reduce the charge current is approximately:

$$T_A = 120^\circ\text{C} - (4.5\text{V} - 3.7\text{V}) \cdot (600\text{mA}) \cdot 150^\circ\text{C/W}$$

$$T_A = 120^\circ\text{C} - 0.48\text{W} \cdot 150^\circ\text{C/W} = 120^\circ\text{C} - 72^\circ\text{C}$$

$$T_A = 48^\circ\text{C}$$

The LTC4057 can be used above 48°C ambient, but the charge current will be reduced from 600mA. The approximate current at a given ambient temperature can be approximated by:

$$I_{BAT} = \frac{120^\circ\text{C} - T_A}{(V_{CC} - V_{BAT}) \cdot \theta_{JA}}$$



## APPLICATIONS INFORMATION

Using the previous example with an ambient temperature of 60°C, the charge current will be reduced to approximately:

$$I_{BAT} = \frac{120^{\circ}\text{C} - 60^{\circ}\text{C}}{(4.5\text{V} - 3.7\text{V}) \cdot 150^{\circ}\text{C} / \text{W}} = \frac{60^{\circ}\text{C}}{120^{\circ}\text{C} / \text{A}}$$

$$I_{BAT} = 500\text{mA}$$

Moreover, when thermal feedback reduces the charge current, the voltage at the PROG pin is also reduced proportionally as discussed in the Operation section.

It is important to remember that LTC4057 applications do not need to be designed for worst-case thermal conditions since the IC will automatically reduce power dissipation when the junction temperature reaches approximately 120°C.

### Thermal Considerations

Because of the small size of the ThinSOT package, it is very important to use a good thermal PC board layout to maximize the available charge current. The thermal path for the heat generated by the IC is from the die to the copper lead frame, through the package leads, (especially the ground lead) to the PC board copper. The PC board copper is the heat sink. The footprint copper pads should be as wide as possible and expand out to larger copper areas to spread and dissipate the heat to the surrounding ambient. Feedthrough vias to inner or backside copper layers are also useful in improving the overall thermal performance of the charger. Other heat sources on the board, not related to the charger, must also be considered when designing a PC board layout because they will affect overall temperature rise and the maximum charge current.

Table 1 lists thermal resistance for several different board sizes and copper areas. All measurements were taken in still air on 3/32" FR-4 board with one ounce copper.

**Table 1. Measured Thermal Resistance**

| COPPER AREA         |                     | BOARD AREA          | THERMAL RESISTANCE  |
|---------------------|---------------------|---------------------|---------------------|
| TOPSIDE*            | BACKSIDE            |                     | JUNCTION-TO-AMBIENT |
| 2500mm <sup>2</sup> | 2500mm <sup>2</sup> | 2500mm <sup>2</sup> | 125°C/W             |
| 1000mm <sup>2</sup> | 2500mm <sup>2</sup> | 2500mm <sup>2</sup> | 125°C/W             |
| 225mm <sup>2</sup>  | 2500mm <sup>2</sup> | 2500mm <sup>2</sup> | 130°C/W             |
| 100mm <sup>2</sup>  | 2500mm <sup>2</sup> | 2500mm <sup>2</sup> | 135°C/W             |
| 50mm <sup>2</sup>   | 2500mm <sup>2</sup> | 2500mm <sup>2</sup> | 150°C/W             |

\*Device is mounted on topside.

### Increasing Thermal Regulation Current

Reducing the voltage drop across the internal MOSFET can significantly decrease the power dissipation in the IC. This has the effect of increasing the current delivered to the battery during thermal regulation. One method is by dissipating some of the power through an external component, such as a resistor or diode.

Example: An LTC4057-4.2 operating from a 5V wall adapter is programmed to supply 800mA full-scale current to a discharged Li-Ion battery with a voltage of 3.75V. Assuming  $\theta_{JA}$  is 125°C/W, the approximate charge current at an ambient temperature of 25°C is:

$$I_{BAT} = \frac{120^{\circ}\text{C} - 25^{\circ}\text{C}}{(5\text{V} - 3.75\text{V}) \cdot 125^{\circ}\text{C} / \text{W}} = 608\text{mA}$$

By dropping voltage across a resistor in series with a 5V wall adapter (shown in Figure 2), the on-chip power dissipation can be decreased, thus increasing the thermally regulated charge current.

$$I_{BAT} = \frac{120^{\circ}\text{C} - 25^{\circ}\text{C}}{(V_S - I_{BAT}R_{CC} - V_{BAT}) \cdot \theta_{JA}}$$



## APPLICATIONS INFORMATION

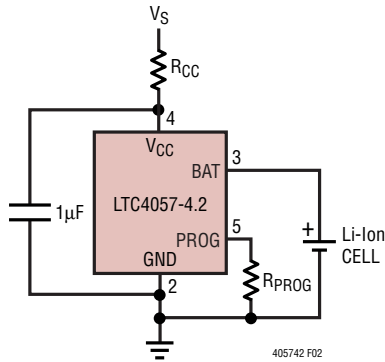


Figure 2. A Circuit to Maximize Thermal Mode Charge Current

Solving for  $I_{BAT}$  using the quadratic formula<sup>1</sup>.

$$I_{BAT} = \frac{(V_S - V_{BAT}) - \sqrt{(V_S - V_{BAT})^2 - \frac{4R_{CC}(120^\circ\text{C} - T_A)}{\theta_{JA}}}}{2R_{CC}}$$

Using  $R_{CC} = 0.25\Omega$ ,  $V_S = 5\text{V}$ ,  $V_{BAT} = 3.75\text{V}$ ,  $T_A = 25^\circ\text{C}$  and  $\theta_{JA} = 125^\circ\text{C/W}$ , we can calculate the thermally regulated charge current to be:

$$I_{BAT} = 708.4\text{mA}$$

While this application delivers more energy to the battery and reduces charge time in thermal mode, it may actually lengthen charge time in voltage mode if  $V_{CC}$  becomes low enough to put the LTC4057 into dropout. Figure 3 shows how this circuit can result in dropout as  $R_{CC}$  becomes large.

This technique works best when  $R_{CC}$  values are minimized to keep component size small and avoid dropout. Remember to choose a resistor with adequate power handling capability.

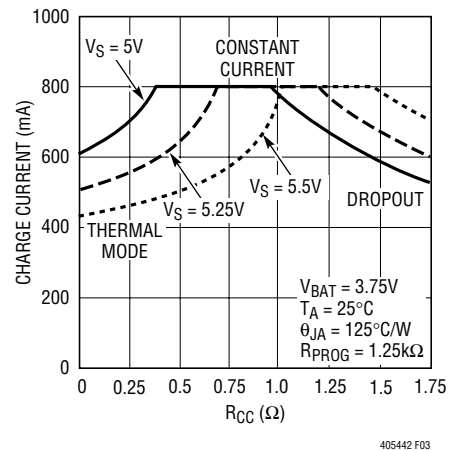


Figure 3. Charge Current vs  $R_{CC}$

Note 1: Large values of  $R_{CC}$  will result in no solution for  $I_{BAT}$ . This indicates that the LTC4057 will not generate enough heat to require thermal regulation.

## APPLICATIONS INFORMATION

### **V<sub>CC</sub> Bypass Capacitor**

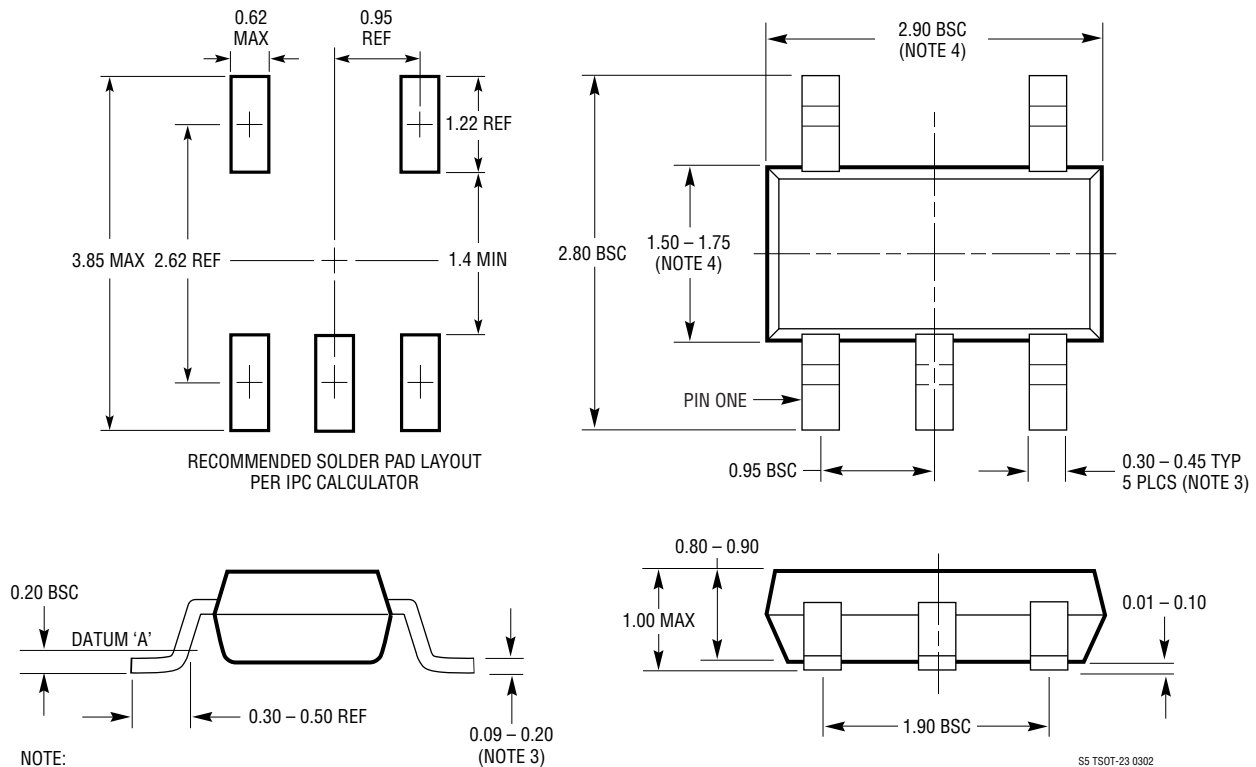
Many types of capacitors can be used for input bypassing; however, caution must be exercised when using multi-layer ceramic capacitors. Because of the self resonant and high Q characteristics of some types of ceramic capacitors, high voltage transients can be generated under some start-up conditions, such as connecting the charger input to a live power source. Adding a 1.5Ω resistor in series with an X5R ceramic capacitor will minimize start-up voltage transients. For more information, refer to Application Note 88.

### **Charge Current Soft-Start**

The LTC4057 includes a soft-start circuit to minimize the inrush current at the start of a charge cycle. When charging begins, the charge current ramps from zero to the full-scale current over a period of approximately 100μs. This has the effect of minimizing the transient current load on the power supply during startup.

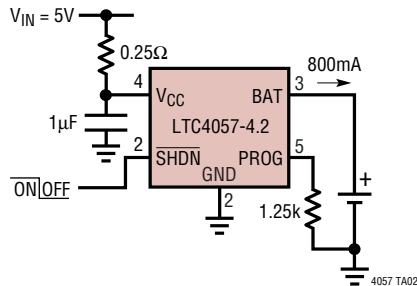
## PACKAGE DESCRIPTION

**S5 Package**  
**5-Lead Plastic TSOT-23**  
 (Reference LTC DWG # 05-08-1635)

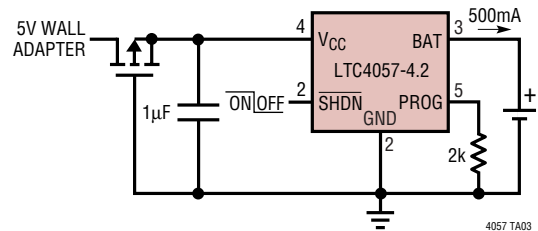


## TYPICAL APPLICATIONS

**800mA Li-Ion Charger with External Power Dissipation**



**Basic Li-Ion Battery Charger with Reverse Polarity Input Protection**



## RELATED PARTS

| PART NUMBER | DESCRIPTION   | COMMENTS  |
|-------------|---|---|
| LT1571      | 200kHz/500kHz Switching Battery Charger   | Up to 1.5A Charge Current; Preset and Adjustable Battery Voltages   |
| LTC1729     | Lithium-Ion Battery Charger Termination Controllers                                 | Time or Charge Current Termination, Preconditioning 8-Lead MSOP   |
| LTC1730     | Lithium-Ion Battery Pulse Charger   | No Blocking Diode Required, Current Limit for Maximum Safety  |
| LTC1731     | Lithium-Ion Linear Battery Charger Controller                                       | Simple Charger uses External FET, Features Preset Voltages, C/10 Charger Detection and Programmable Timer   |
| LTC1732     | Lithium-Ion Linear Battery Charger Controller                                       | Simple Charger uses External FET, Features Preset Voltages, C/10 Charger Detection and Programmable Timer, Input Power Good Indication  |
| LTC1733     | Monolithic Lithium-Ion Linear Battery Charger                                       | Standalone Charger with Programmable Timer, Up to 1.5A Charge Current   |
| LTC1734     | Lithium-Ion Linear Battery Charger in ThinSOT                                       | Simple ThinSOT Charger, No Blocking Diode, No Sense Resistor Needed   |
| LTC1734L    | Lithium-Ion Linear Battery Charger in ThinSOT                                       | Low Charge Current Version of LTC1734   |
| LTC1998     | Lithium-Ion Low Battery Detector  | 1% Accurate 2.5μA Quiescent Current, SOT-23   |
| LTC4050     | Lithium-Ion Linear Battery Charger Controller                                       | Simple Charger uses External FET, Features Preset Voltages, C/10 Charger Detection and Programmable Timer, Input Power Good Indication, Thermistor Interface                                |
| LTC4052     | Monolithic Lithium-Ion Battery Pulse Charger  | No Blocking Diode or External Power FET Required  |
| LTC4053     | USB Compatible Monolithic Li-Ion Battery Charger                                    | Standalone Charger with Programmable Timer, Up to 1.25A Charge Current  |
| LTC4054     | Standalone Linear Li-Ion Battery Charger with Integrated Pass Transistor in ThinSOT | Thermal Regulation Prevents Overheating, C/10 Termination, C/10 Indicator   |
| LTC4410     | USB Power Manager   | For Simultaneous Operation of USB Peripheral and Battery Charging from USB Port, Keeps Current Drawn from USB Port Constant, Keeps Battery Fresh, Use with the LTC4053, LTC1733, or LTC4054 |