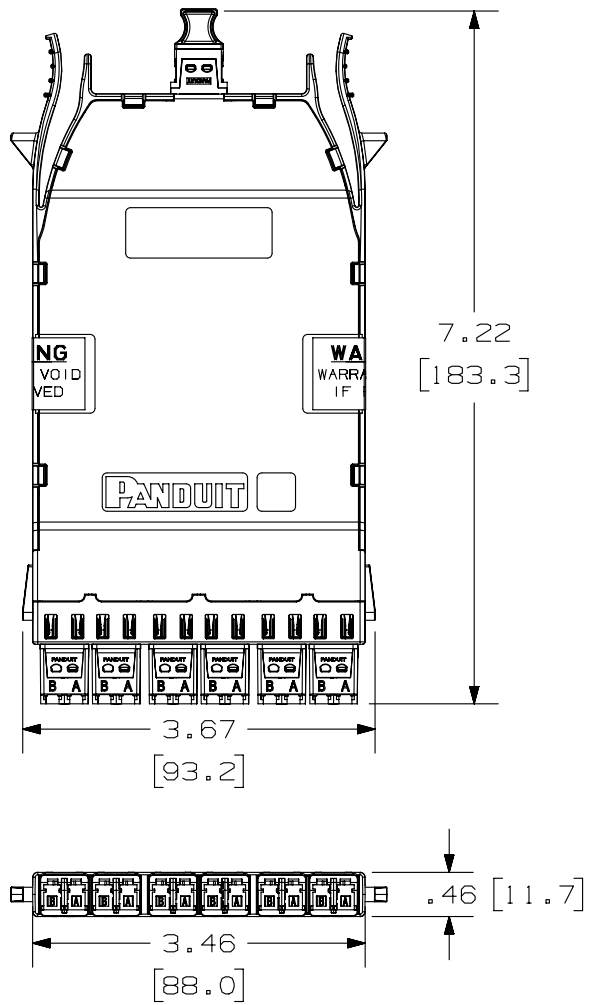
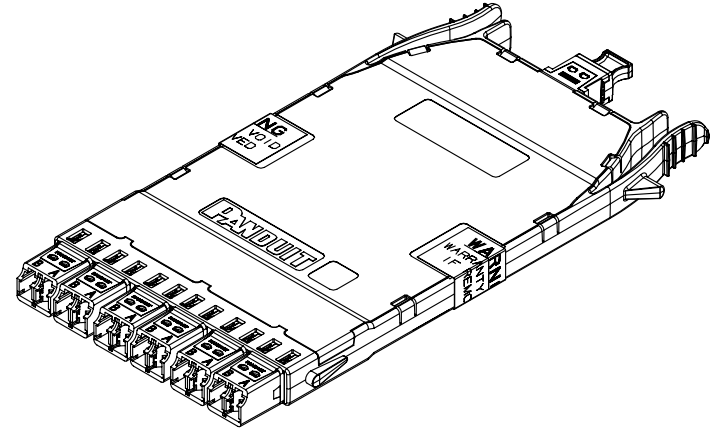


THIS COPY IS PROVIDED ON A RESTRICTED BASIS AND IS NOT TO BE USED IN ANY WAY DETRIMENTAL TO THE INTERESTS OF PANDUIT CORP.



- NOTES:
1. SEE CURRENT CATALOG FOR PART NUMBER SUFFIXES TO INDICATE COLOR AND/OR PACKAGE QUANTITIES.
  2. SEE CATALOG FOR COMPLETE LIST OF PARTS APPLICABLE FOR USE WITH THIS PRODUCT.
  3. PART NUMBERS: SEE SHEET 2 FOR ALL PART NUMBERS.
  4. CASSETTE WIRING COMPLIES WITH ANSI/TIA-568-C.0 SEE ANSI/TIA-568-C.0 FOR POLARITY DETAILS AND AN EXAMPLE OF A BASIC LINK.
  5. CASSETTE WEIGHT: 3oz (85g)
  6. SEE TABLE ON SHEET 2 FOR LIST OF PART NUMBERS.



00	01-22-15	SAT	JESA	RAR	RELEASED TO PRODUCTION			12F187HA-DC	
REV	DATE	BY	CHK	APR	DESCRIPTION	ECN			

TITLE HD FLEX 12 FIBER LC- MPO CASSETTE CUSTOMER DRAWING									
ITEM REVISION NAME 12F187HA/00					<b>PANDUIT</b>				
DATASET FILE NAME 12F187HA_DC/00B									
UNLESS OTHERWISE SPECIFIED, DIMENSIONAL TOLERANCES ARE: IN (mm)									
.x ± .1 [2.54]		.xxx ± .005 [.127]		MATERIAL:					
.xx ± .01 [.25]		ANGLES ± 5 °							
DRAWN BY SAT					DATE 01-22-15		CHK JESA		SCALE NONE
					DRAWING NUMBER: 12F187HA-DC		SHT 1 OF 2		SIZE A

