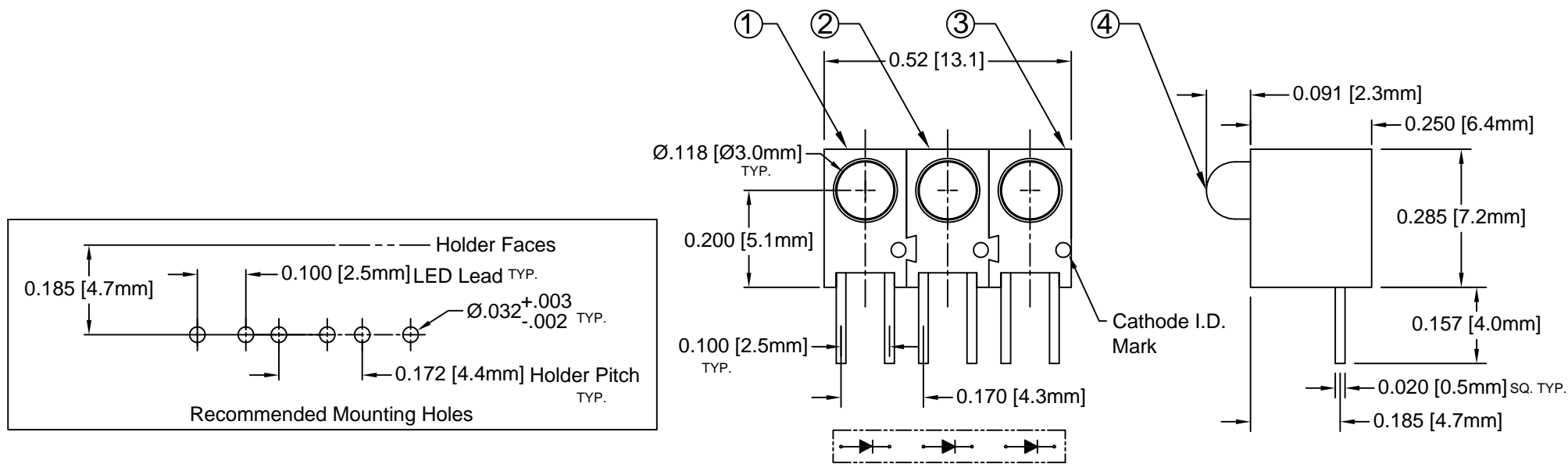


ITEM	Q'TY	PART NUMBER	PART DESCRIPTION
1	1	H-102C	T-1 (3mm) LED Holder, 90° Mount, Interlocking Left End
2	1	H-100C	T-1 (3mm) LED Holder, 90° Mount, Interlocking Center
3	1	H-103C	T-1 (3mm) LED Holder, 90° Mount, Interlocking Right End
4	3	3GD-S	T-1 (3mm) N-Flange LED

REV.	DESCRIPTION	DATE	APPROVED
A	Engineering Release	09/08/03	M. C.
B	Updated Template	08/16/07	M. C.
C	LED Update	10/17/11	T. Y.
D	Engineering Update w/o Changes	06/20/16	J. C.



LED Part No.	Chip			Lens Appearance	Absolute Max. Ratings				Electro-Optical Data @ 20mA			Viewing Angle 2 Θ _{1/2} (Deg)
	Material	Peak Wave Length λ _p (nm)	Emitted Color		Δλ (nm)	Pd (mW)	I _f (mA)	Peak I _f (mA)	V _f (V)		I _v (mcd)	
									TYP	MAX	TYP	
3GD-S	GaP/GaP	568	GREEN	DIFFUSED	-	80	30	150	2.1	2.8	25.0	40

ABSOLUTE MAXIMUM RATINGS (Ta = 25°C)

REVERSE VOLTAGE _____ 5V
 REVERSE CURRENT (VR=5V) _____ 100μA
 OPERATING TEMPERATURE RANGE _____ -25°C ~ 85°C
 STORAGE TEMPERATURE _____ -30°C ~ 100°C
 LEAD SOLDERING TEMPERATURE (1/16" FROM BODY) _____ 260°C for 5 Seconds

STANDARD TOLERANCE (UNLESS OTHERWISE SPECIFIED)		 4 THOMAS, IRVINE, CA. 92618 TEL: (949) 951-8808 FAX: (949) 951-3974	
DECIMALS	ANGULAR		
.X ± .1 .XX ± .02 .XXX ± .010	X° ± 1°		
DESIGNED: D. Green	DATE: 09/08/03	TITLE: T-1 (3mm) TRI-STATION ASSEMBLY	
CHECKED: M. Chen	DATE: 09/08/03	PART NO: H103CGD	REVISION: D
		CAGE CODE : 32559	SHEET # 1 OF 1
CAD GENERATED DOCUMENT. DO NOT MEASURE DRAWING.			