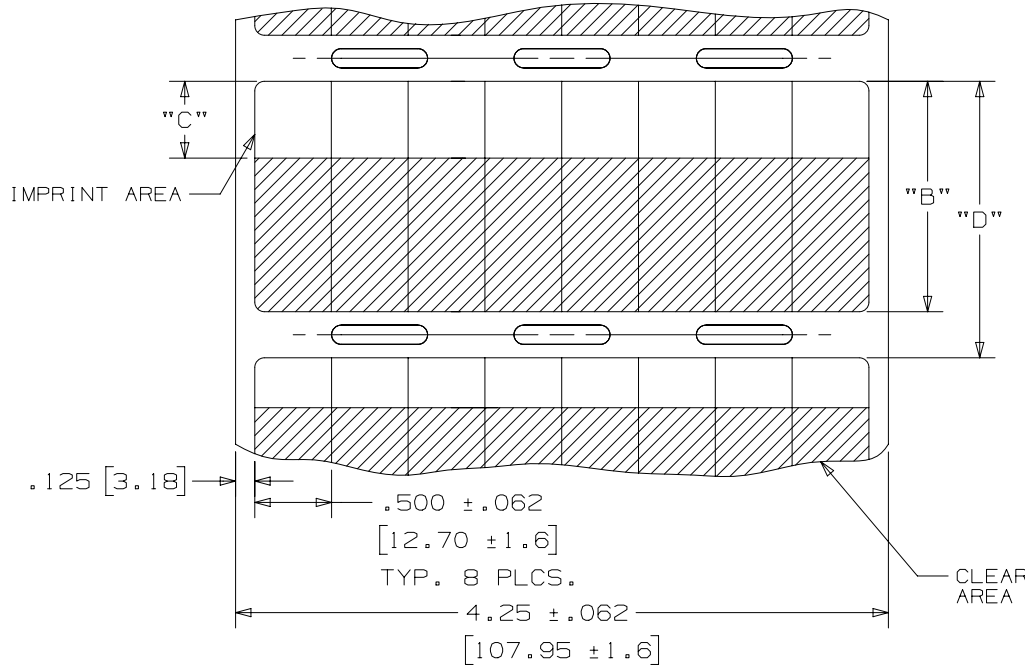


THIS COPY IS PROVIDED ON A RESTRICTED BASIS AND IS NOT TO BE USED IN ANY WAY DETRIMENTAL TO THE INTERESTS OF PANDUIT CORP.

PART NUMBER	MATERIAL	"B" HEIGHT +/- .062	IMPRINT AREA "C" +/- .062	VERTICAL REPEAT "D" +/- .062	LABELS PER ROW	STANDARD PKG. QTY.
S050X075VA1Y	GMV16 OR GMV17	0.75 [ 19.0 ]	0.25 [ 6.35 ]	1.00 [ 25.4 ]	8	5000
S050X125VA1Y		1.25 [ 31.8 ]	0.38 [ 9.65 ]	1.50 [ 38.1 ]		
S050X150VA1Y		1.50 [ 38.1 ]	0.50 [ 12.7 ]	1.80 [ 45.7 ]		



NOTES:  
1. MILLIMETERS ARE IN [ ].



9	12/10/15	RVU	SEWH	JHAC	1.80 [45.7] WAS 1.75 [44.5].	GAECN03279
8	8/19/15	RVU	SEWH	JHAC	UPDATE ON NEW BOARDER WTIH PANDUIT LOGO. 1.75 [44.5] WAS 1.80 [45.7].	GAECN03105
7	10/25/11	RVU	MSAD		"GMV16 OR GMV17" WAS "GMV".	6548
6	10/21/10	RVU	MSAD		MILLIMETER INCORRECT. [38.1] WAS [12.7]. [9.65] WAS [9.53].	6164
5	12/10/09	RVU			GMV16 WAS GMV3. UPDATE ON ALL STANDARD TOLERANCES. ADD +/- .062.	5925
4	4/8/08	RVU			OBSOLETE P/N: S050X075VA1, S050X125VA1, AND S050X150VA1/ GMV3 WAS GMV. TOL. INCREASED.	5390
3	5/4/07	RVU			[38.1] WAS [12.7].	4973
2	8/30/06	RVU			ADDED PART NO. S050X075VA1Y, S050X125VA1Y AND S050X150VA1Y.	4678
1	3/30/06	RVU			38.1 mm WAS 12.7 mm.	4431
0	9/22/04	RVU			DRAWING RELEASED.	0000

TITLE		S050X***VA1Y OPTIMUM SELF-LAMINATING THERMAL TRANSFER PRINTABLE LABELS CUSTOMER DRAWING	
ITEM REVISION NAME		100472SP/08	
DATASET FILE NAME		100472SP_DC_C10195/08K	
UNLESS OTHERWISE SPECIFIED, DIMENSIONAL TOLERANCES ARE: IN [ mm ]		<b>PANDUIT</b>	
.x ± .12 [ 3.05 ]      .xxx ± .025 [ .635 ] .xx ± .062 [ 1.57 ]      ANGLES ±			
DRAWING NUMBER:		C10195	

REV	DATE	BY	CHK	APR	DESCRIPTION	ECN

DRAWN BY	DATE	CHK	SCALE	SIZE
RVU	2/6/04	JHAC	NTS	A