

2

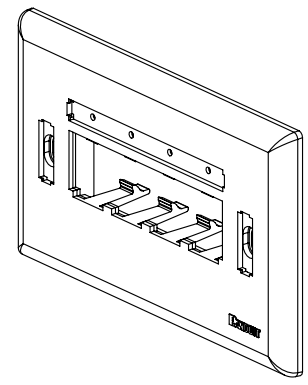
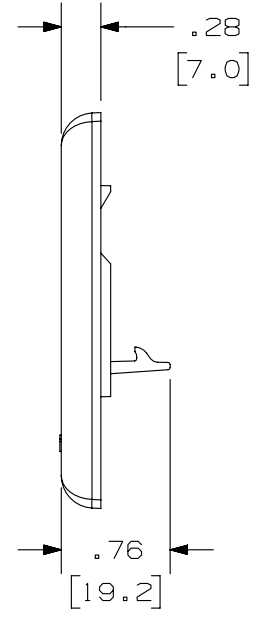
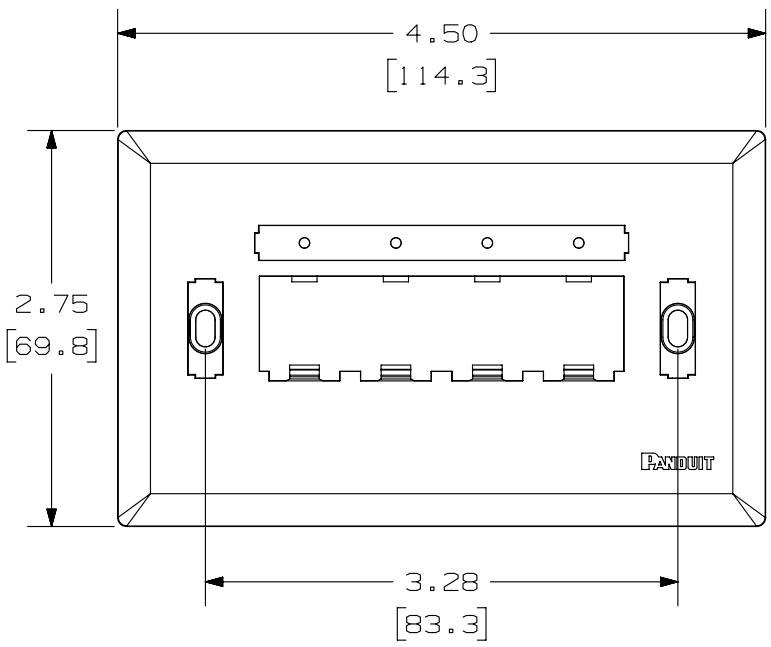
1

THIS COPY IS PROVIDED ON A RESTRICTED BASIS AND IS NOT TO BE USED IN ANY WAY DETRIMENTAL TO THE INTERESTS OF PANDUIT CORP.

|             |                                   |
|-------------|-----------------------------------|
| PANDUIT P/N | WEIGHT                            |
| UICFPH4**   | .54 LB/10 PCS<br>(245.0 g/10 PCS) |

NOTES:

1. SEE CURRENT CATALOG FOR ADDITIONAL PART NUMBER SUFFIXES TO INDICATE COLOR AND OR PACKAGE QUANTITY.
2. SEE CATALOG FOR COMPLETE LIST OF PARTS APPLICABLE FOR USE WITH THIS PART.
3. DIMENSIONS IN PARENTHESES ARE IN METRIC.
4. PART INCLUDES:  
 1- FACEPLATE  
 1- CLEAR SCREW COVER  
 1- COLOR COORDINATED SCREW COVER  
 1- CLEAR LABEL COVER  
 2- MOUNTING SCREW



|                                                                     |                                                        |                 |          |
|---------------------------------------------------------------------|--------------------------------------------------------|-----------------|----------|
| PART NUMBER                                                         |                                                        | UICFPH4**       |          |
| TITLE                                                               |                                                        |                 |          |
| MINI-COM ULTIMATE ID 4 POSITION HORIZONTAL CLASSIC SERIES FACEPLATE |                                                        |                 |          |
| CUSTOMER DRAWING                                                    |                                                        |                 |          |
| ITEM REVISION NAME                                                  |                                                        | M01279BE/06     |          |
| DATASET FILE NAME                                                   |                                                        | M01279BE_DC/06A |          |
| UNLESS OTHERWISE SPECIFIED, DIMENSIONAL TOLERANCES ARE: IN [mm]     |                                                        | MATERIAL:       |          |
| .x ± .xxx ± .010 [.3]                                               |                                                        | ABS             |          |
| .xx ± .03 [.8] ANGLES ±                                             |                                                        | DRAWING NUMBER: |          |
| THIRD ANGLE PROJECTION                                              |                                                        | 01279-10        |          |
| DRAWN BY                                                            | DATE                                                   | CHK             | SCALE    |
| JSP                                                                 | 7-24-02                                                |                 | NONE     |
| REV                                                                 | DATE                                                   | BY              | CHK      |
| 1                                                                   | 5-15-14                                                | BJN             | JSP      |
| APR                                                                 | DESCRIPTION                                            |                 | ECN      |
|                                                                     | REVISED & REDRAWN PREVIOUS REVISIONS REMVD FOR CLARITY |                 | 01279-10 |
| SHT 1 OF 1                                                          |                                                        | SIZE A          |          |

D10100DA/14

2

1