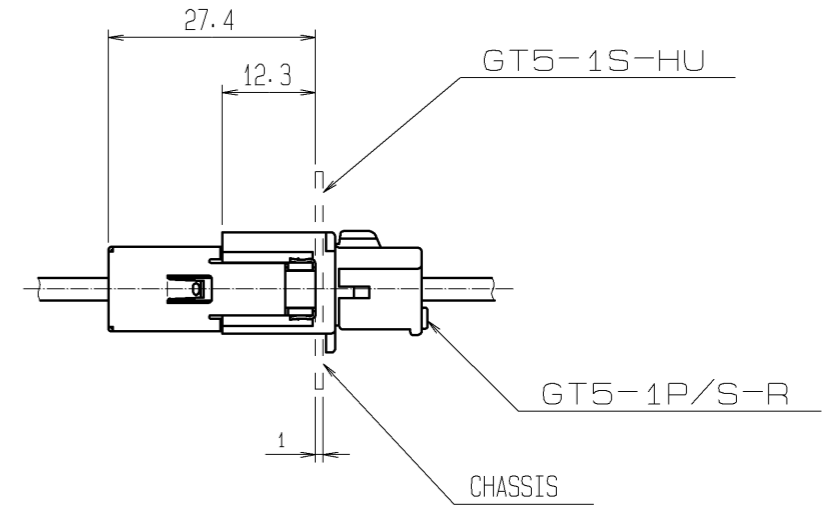
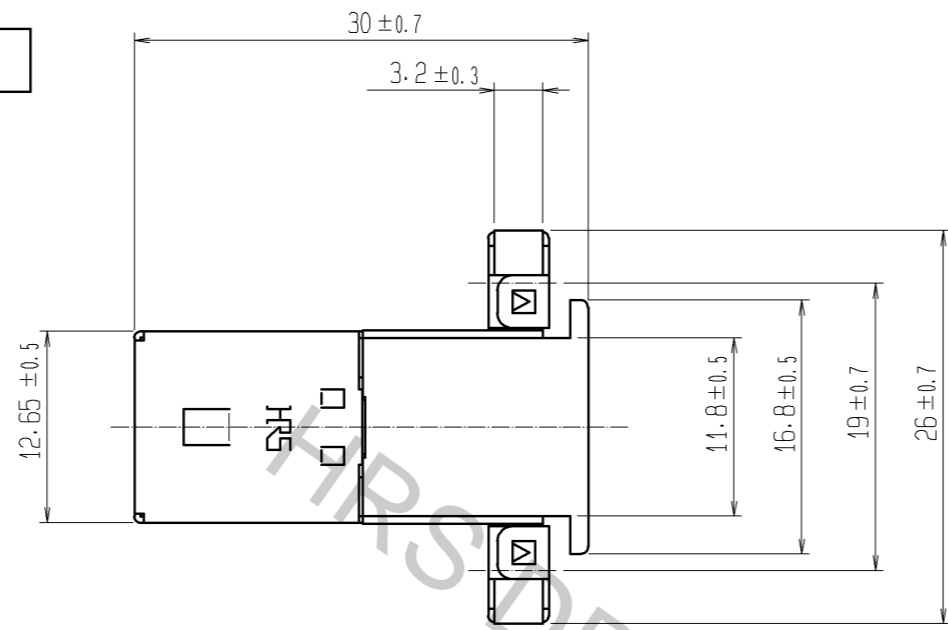
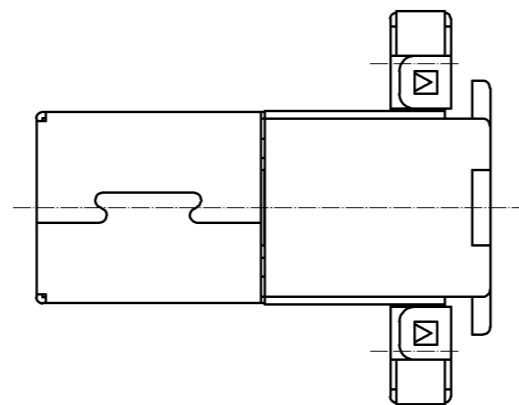
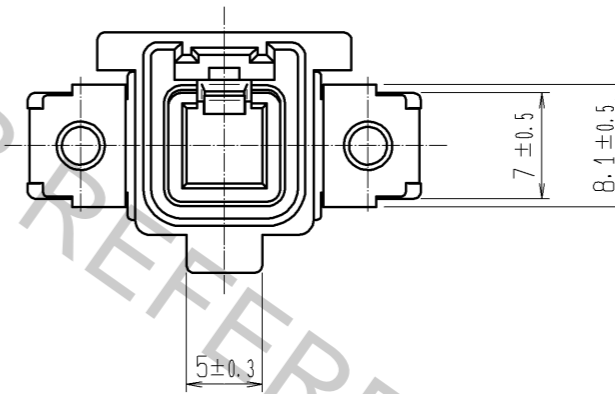
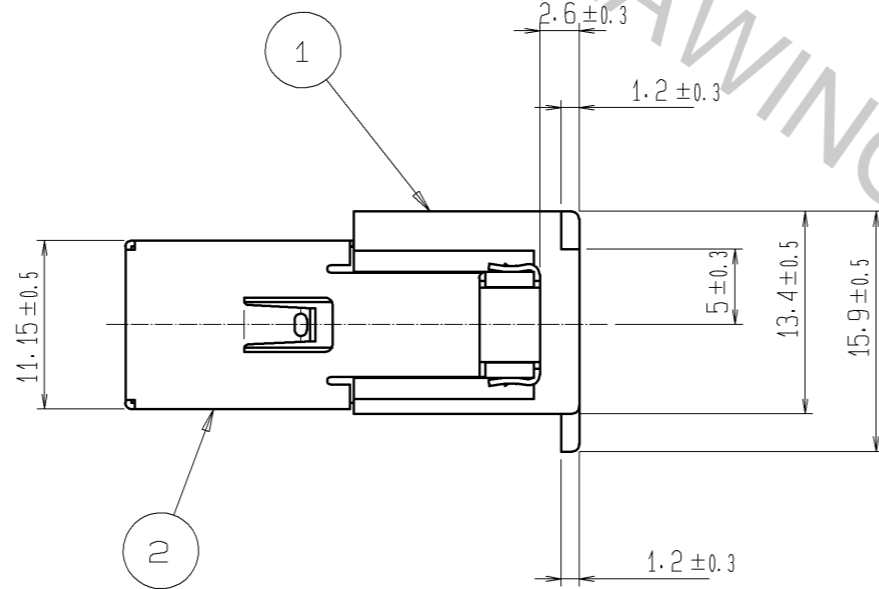
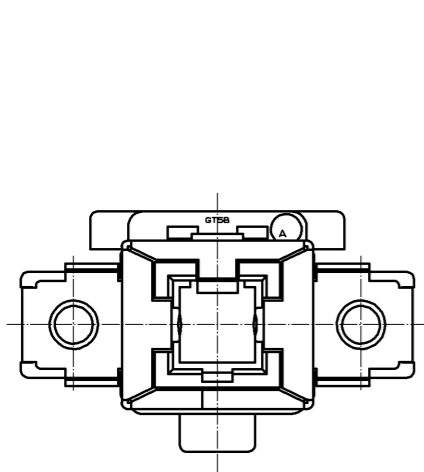


ELV. RoHS COMPLIANT



ASSEMBLED CONNECTORS (1:1)



NOTE1. FIXING SCREW SHALL BE NOMINAL DIAMETER 3mm
IN ACCORDANCE WITH CLASS 1 OR 4 OF JIS B1115, 1122.

1	PBT	LIGHT GRAY	2	PHOSPHOR BRONZE	TIN PLATED
NO.	MATERIAL	FINISH . REMARKS	NO.	MATERIAL	FINISH . REMARKS
UNITS mm		SCALE 2:1	COUNT 	DESCRIPTION OF REVISIONS	DESIGNED
HRS HIROSE ELECTRIC CO., LTD.		APPROVED : KS. SATOH	08.06.11	DRAWING NO.	EDC3-165374-01
		CHECKED : NH. NAKATA	08.06.10	PART NO.	GT5B-1PP-HU(70)
		DESIGNED : MO. OKADA	08.06.09	CODE NO.	CL755-0051-7-70
		DRAWN : MH. SHOUJI	08.05.22		