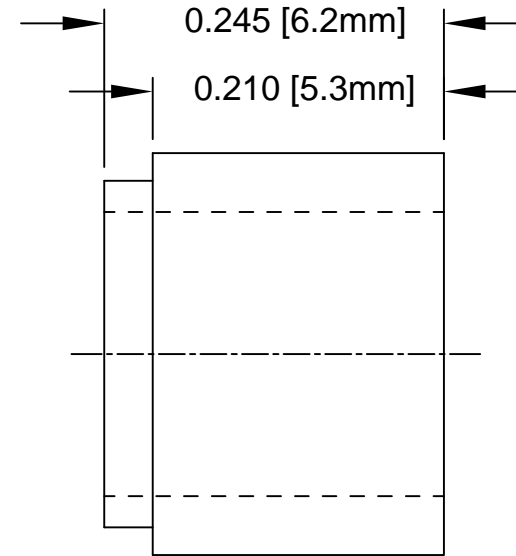
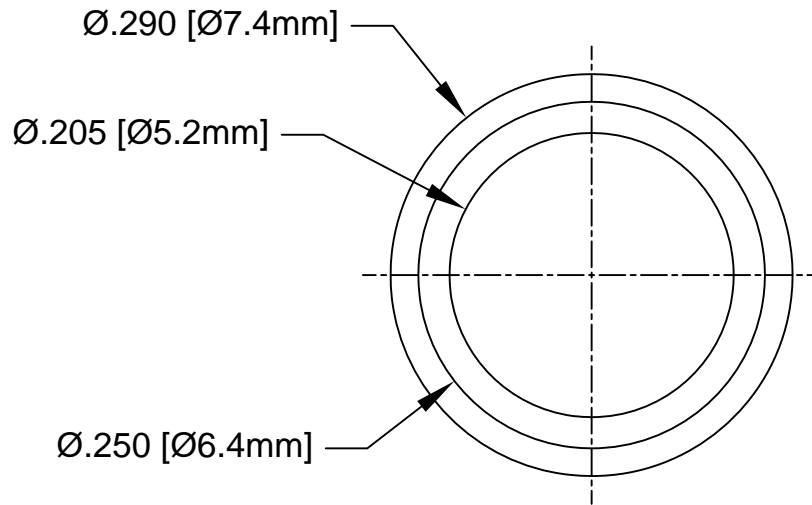




REV.	DESCRIPTION	DATE	APPROVED
C	Engineering Update w/o Changes	02/27/04	M. C.
D	Removed Material Code	05/21/16	J. C.



2. MATERIAL: NYLON 6/6, 94V-0, BLACK.

1. GENERAL SPECIFICATIONS: BIVAR MOLDED COMPONENT SPECIFICATION BV00-E101.

STANDARD TOLERANCE (UNLESS OTHERWISE SPECIFIED)		 4 THOMAS, IRVINE, CA. 92618 TEL: (949) 951-8808 FAX: (949) 951-3974	
DECIMALS	ANGULAR		
.X ± .1	X° ± 1°	 TITLE: T-1¼ (5mm) LIGHT SHIELD	
.XX ± .01			
.XXX ± .005			
DESIGNED: S. Irving	DATE: 05/13/02	PART NO: LS-1	REVISION: D
CHECKED: M. Chen	DATE: 05/13/02	CAGE CODE : 32559 SHEET # 1 OF 1	
CAD GENERATED DOCUMENT, DO NOT MEASURE DRAWING.			