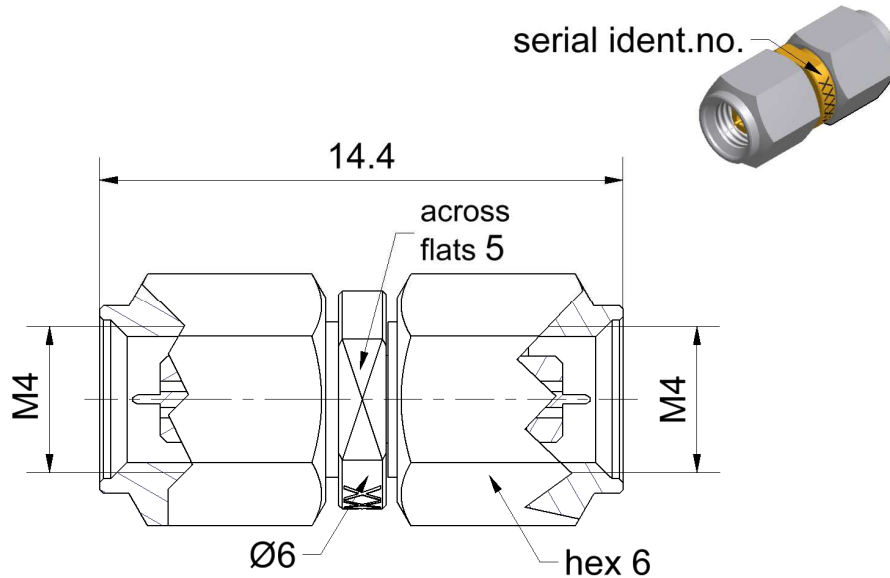


RPC-1.00

Adaptor
Plug/Plug

01S101-S20D3



All dimensions are in mm; tolerances according to ISO 2768 m-H

Interface

According to IEC 61169-31

Documents

N/A

Material and plating

Connector parts

Center conductor
Outer conductor
Coupling nut
Dielectric

Material

CuBe
CuBe or equiv.
Stainless steel
PEEK

Plating

Gold, min. 1.27 µm, over nickel
Gold, min. 1.27 µm, over nickel
Passivated

Dieses Dokument ist urheberrechtlich geschützt • This document is protected by copyright • Rosenberger Hochfrequenztechnik GmbH & Co. KG

RF_35/09;14/6.2

Technical Data Sheet

Rosenberger

RPC-1.00

Adaptor
Plug/Plug

01S101-S20D3

Electrical data

Frequency	DC to 110 GHz
Return loss	≥ 20 dB, DC to 20 GHz
	≥ 17 dB, 20 GHz to 50 GHz
	≥ 15 dB, 50 GHz to 75 GHz
	≥ 12 dB, 75 GHz to 110 GHz

Mechanical data

Mating cycles	≥ 500
Maximum torque	0.70 Nm
Recommended torque	0.35 Nm
Gauge	0.00 mm to 0.03 mm

General standard definitions

For proper operation the vector network analyzer (VNA) needs a model describing the electrical behaviour of this standard. The different models, units, and terms used will depend on the VNA type and they will have to be entered into the VNA. All values are based on typical geometry and plating.

Offset Z_0 / Impedance / Z_0	50 Ω
Offset Delay	39.094 ps
Length (electrical) / Offset Length	11.72 mm
Offset Loss	7.90 G Ω /s
Loss	0.0268 dB/ $\sqrt{\text{GHz}}$

Environmental data

Operating temperature range ¹	+20 °C to +26 °C
Rated temperature range of use ²	0 °C to +50 °C
Storage temperature range	-40 °C to +85 °C

RoHS compliant

¹ Temperature range over which these specification are valid.

² This range is underneath and above the operating temperature range, within the adaptor is fully functional and could be used without damage.

Packing

Standard	1 pce in box
Weight	2.6 g/pce

While the information has been carefully compiled to the best of our knowledge, nothing is intended as representation or warranty on our part and no statement herein shall be construed as recommendation to infringe existing patents. In the effort to improve our products, we reserve the right to make changes judged to be necessary.

Draft	Date	Approved	Date	Rev.	Engineering change number	Name	Date
Herbert Babinger	23.03.06	Ronny Mark	15.03.17	g00	17-0439	Marcel Panicke	15.03.17
Rosenberger Hochfrequenztechnik GmbH & Co. KG P.O.Box 1260 D-84526 Tittmoning Germany www.rosenberger.de						Tel. : +49 8684 18-0 Email : info@rosenberger.de	
							Page 2 / 2