

PART NUMBER	LEAD FREE VERSION	FLEX P/N	LI	FLEX PITCH
7364L2622F04	7364L2622F04LF	P06683B	100	1.25
7364L2622F14	7364L2622F14LF	P08153M	100	1
7364L2622F15	7364L2622F15LF	P08197D	80	1.25

GENERAL:
This smart card reader uses a sliding contact technology
It has been designed for connection by flex-foil

ELECTRICAL PROPERTIES

Insulation resistance : 5000 M Ω
Dielectric withstanding : 750 VAC
Current carrying capacity : 10 μ A min. 1A max.
Contact resistance : 100 m Ω (flex foil not included)
Card sensor type : Blade switch normally closed

MECHANICAL PROPERTIES

EMV compatible and according to ISO 7816-2
Contact normal force : between 0.2 N to 0.6 N per contact
Insertion force : 10 N max.
Withdrawal force : 1 N min.
Max. number of mating operations : 10000 card insertions.

READER MATERIAL

Housing : Thermoplastique, 30% GF, Colour black, Rated UL94V0
Contacts and switch : Phosphor bronze
Plating : precoat Nickel 2.5 μ m min. all over
Gold 0.4 μ m min. on contacts areas
SnPB 3 μ m on termination contacts
matte tin on termination contacts(for lead free version)

FLEX : See drawing: VJW55112; VJW54446; pitch 1.25 mm)
VJW55076; pitch 1 mm

ENVIRONMENT

Operating temperature : -20 $^{\circ}$ C / +70 $^{\circ}$ C
Storage temperature : -40 $^{\circ}$ C / +85 $^{\circ}$ C

PACKAGING

Trays
Packaging specification : VGN 11619/A

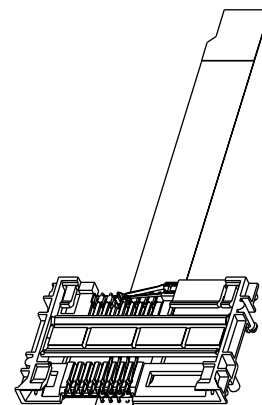
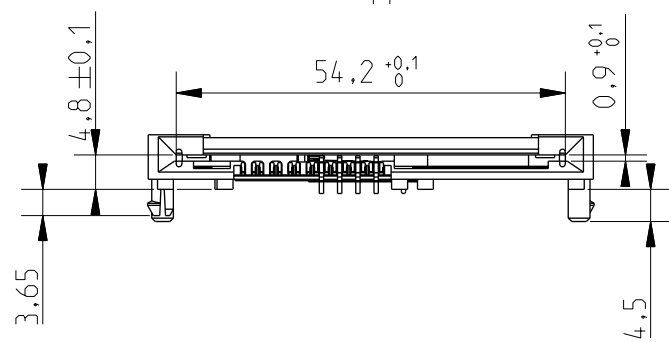
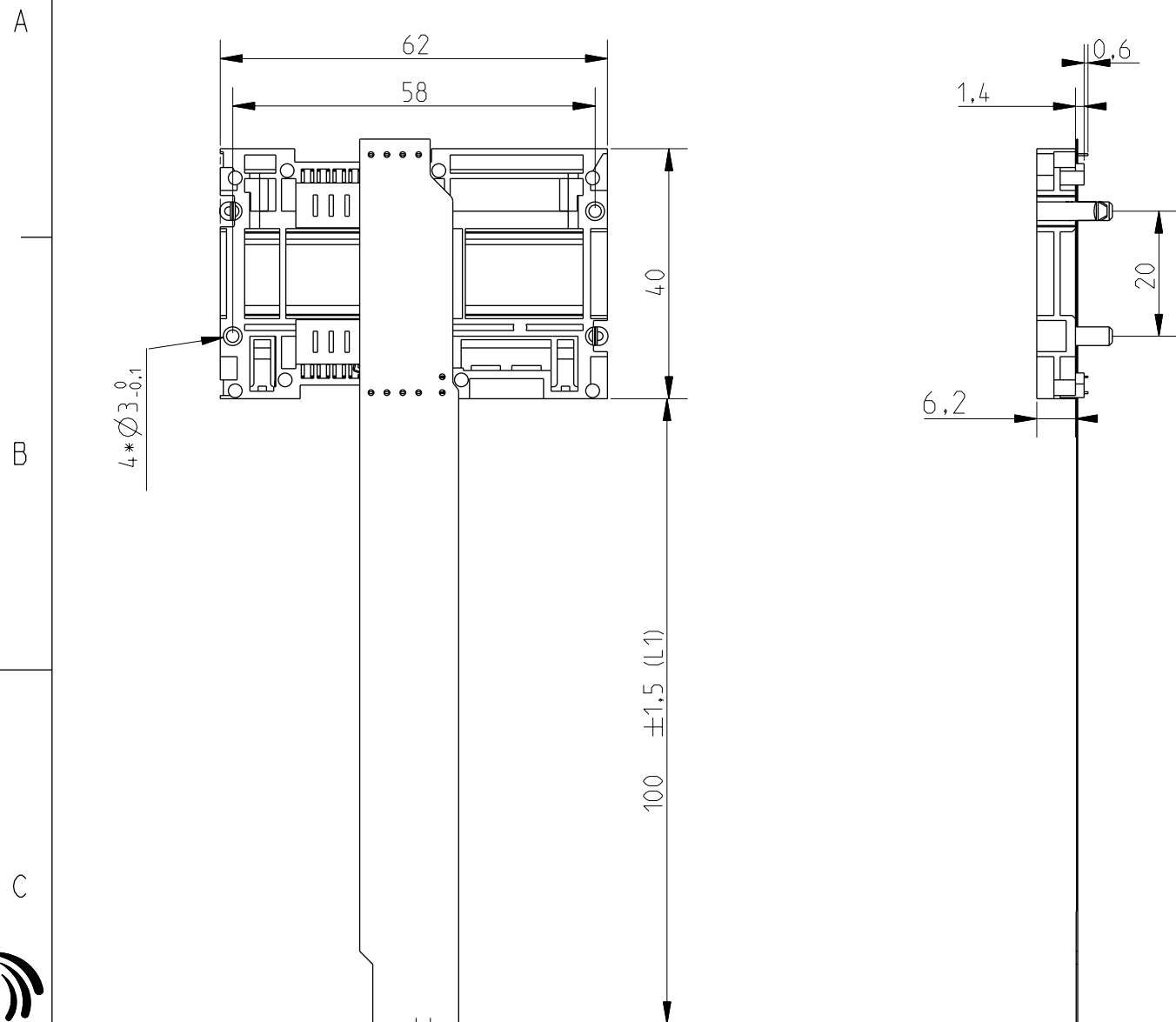
APPLICABLE DOCUMENT

Product specification : VGN11668/A

LEAD FREE VERSION:

"This product meets European Union Directives and other country regulations as described in GS-22-008"

General tolerances: \pm 0.1mm Angle: \pm 5 $^{\circ}$



SCALE 1:2

rev	ecn no	dr	date
1	-	-	2000/09/06
2	-	-	2001/11/07
A	F20307	DLE	2002/04/30
B	LS3026	JTA	2003/03/03
C	105-0181	NT	2005/12/25
D	106-0084	SSC	2006/06/21
E	107-0127	SSC	2007/09/26

www.fciconnect.com		surface - <input checked="" type="checkbox"/> ISO 1302	tolerance std ISO 406 ISO 1101	projection	mm
TOLERANCES UNLESS OTHERWISE SPECIFIED					
Dr	N.TWENCY	2005/12/25	ANGULAR	0.X	\pm
Eng	N.TWENCY	2005/12/25	LINEAR	0.XX	\pm
Chr	S.VARMA	2007/09/26	0 $^{\circ}$ \pm	0.XXX	\pm
Appr	K.V.SIVADAS	2007/09/26	Product family	-	Spec ref
FCI logo			L26 Connector		Rev. E
VXX 27943			catalog no	See Table	CUSTOMER
			dwg no	VJW54927	sheet 1 of 1



Copyright FCI.