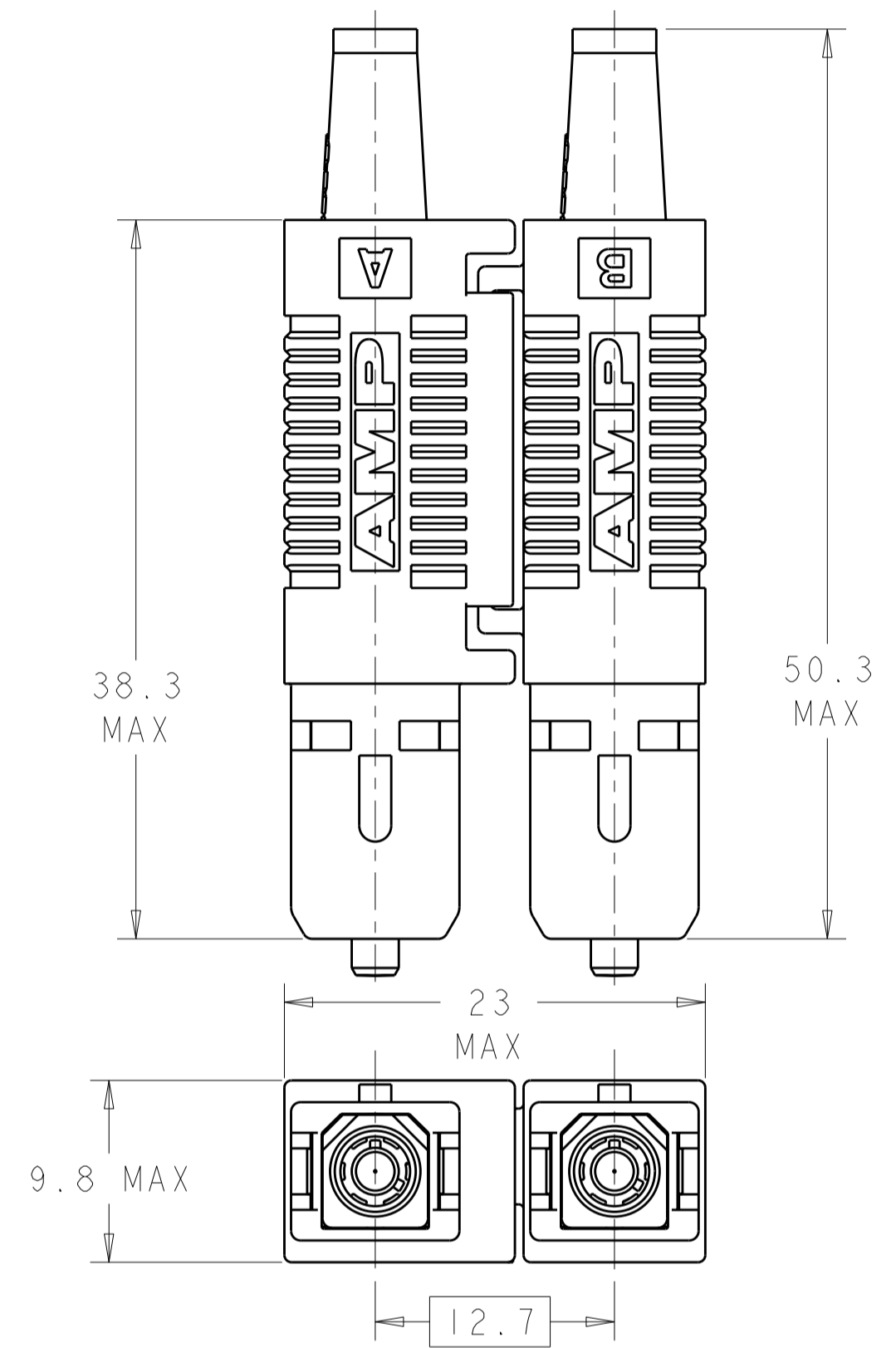
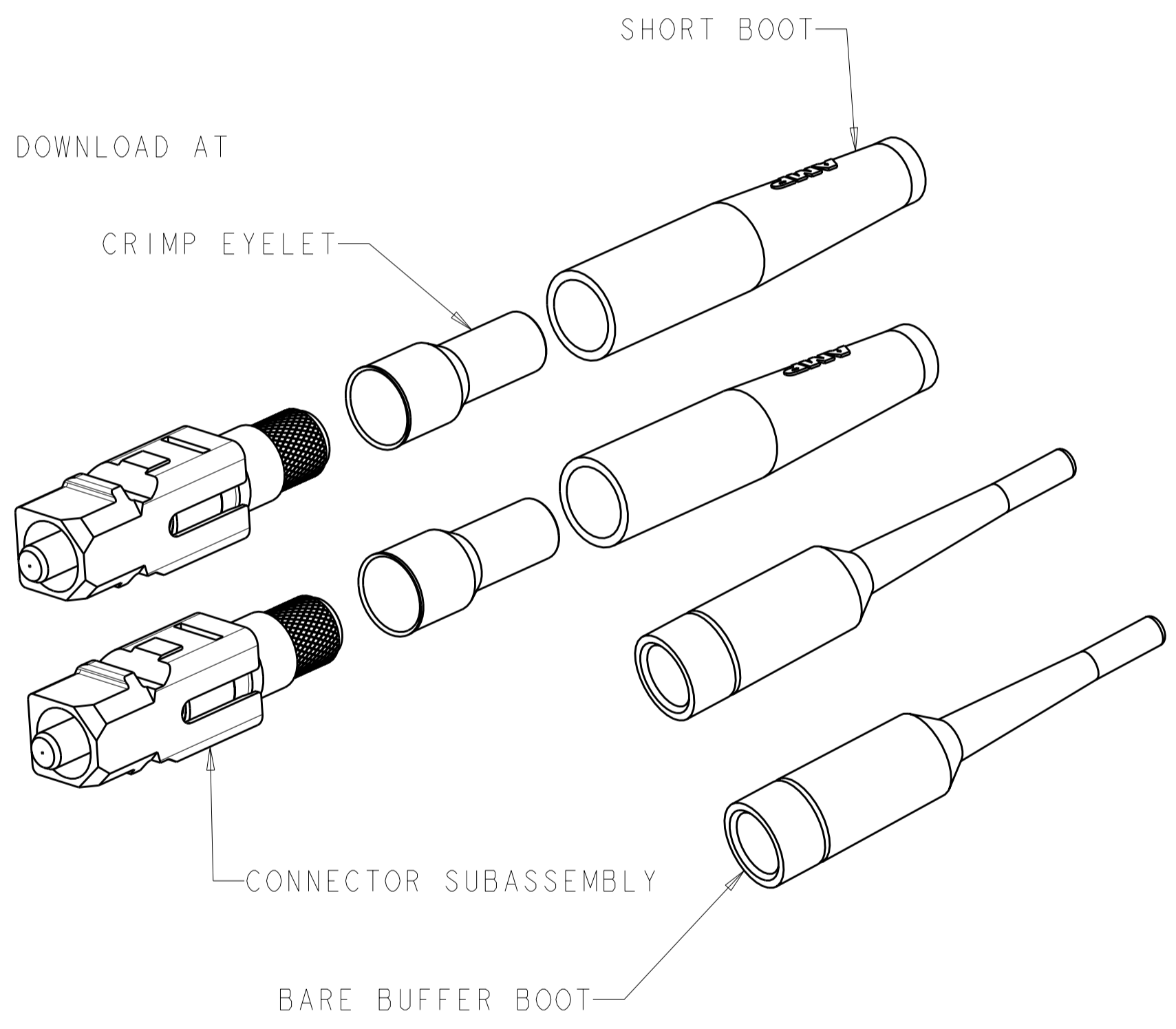
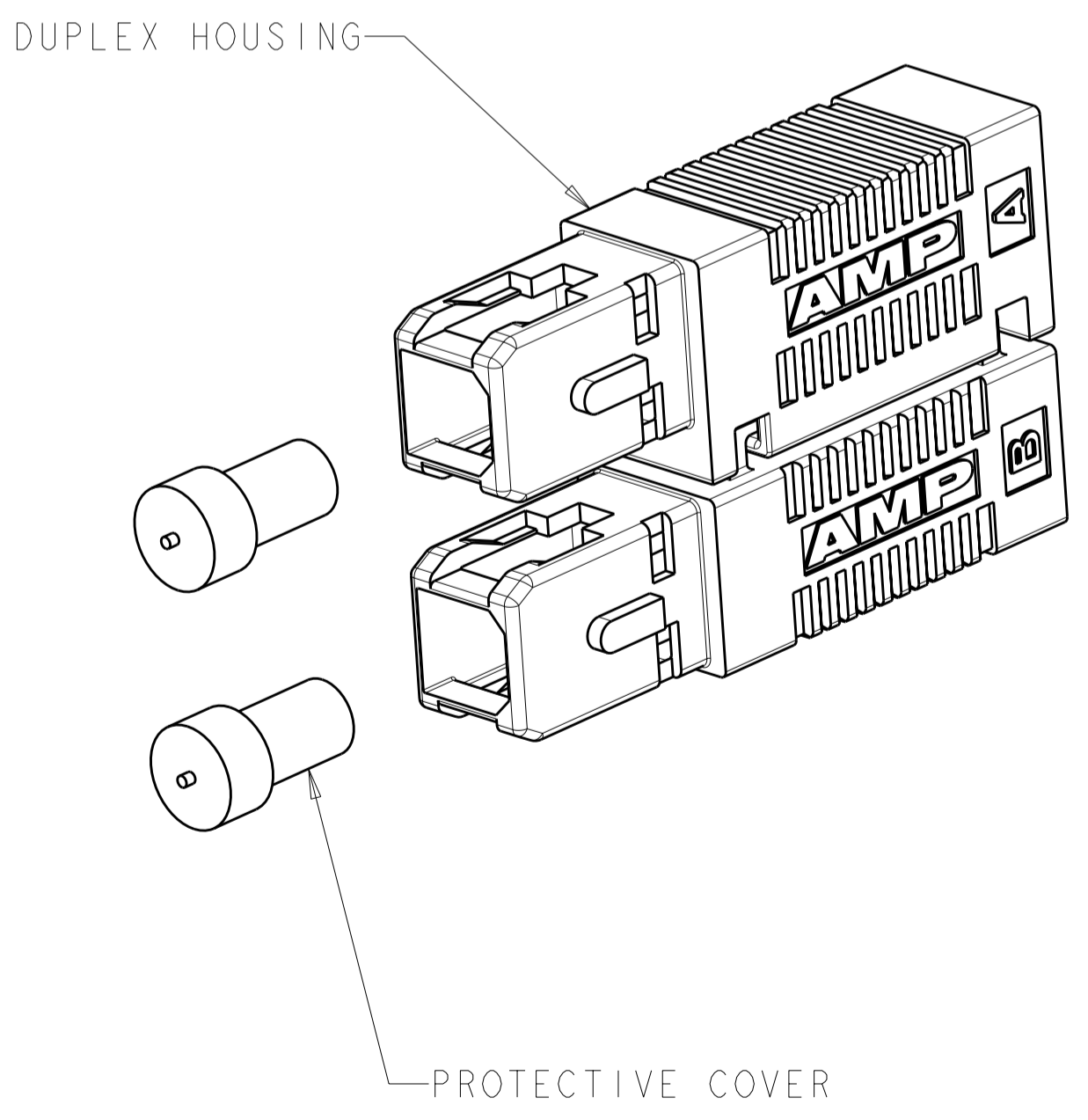


THIS DRAWING IS UNPUBLISHED. RELEASED FOR PUBLICATION 20
 © COPYRIGHT 20 BY TYCO ELECTRONICS CORPORATION. ALL RIGHTS RESERVED.

LOC	DIST	REVISIONS			
P	LTR	DESCRIPTION	DATE	DWN	APVD
	A	RELEASE TO ACTIVE	07JUN2006	BB	SM
	B	REVISE PER ECR-07-011930	06JUN2007	BB	SM
	BI	ADD NOTE 6.	11MAY2009	KG	SB

1 MATERIAL:
 CONNECTOR HOUSING: PBT-GF17, COLOR: BEIGE.*
 PROTECTIVE COVER: LDPE, COLOR: BLACK, NON-FR.
 CONNECTOR SUBASSEMBLY:
 PLUG BODY: PES-GF20, COLOR: BLUE.*
 FERRULE ASSEMBLY: CERAMIC/PBT-GF17, COLOR: BEIGE.*
 EPOXY FILL TUBING: PTFE, COLOR: CLEAR, UL VW-1 RATED.
 SPRING: STAINLESS STEEL.
 RETAINER BODY: PES-GF20, COLOR: BEIGE.*
 CRIMP EYELET: TIN PLATED COPPER.
 BOOT: TPE, COLOR: SEE TABLE.*
 *UL94 V-0 RATED AT QUALIFYING THICKNESS.

- 2 BULK PACKAGE.
 3. 3.0mm KIT FOR USE WITH "LOOSE-JACKETED" CABLE.
 4 NO AMP LOGO.
 5 CONTAINS NO CRIMP EYELETS.
 6. INSTRUCTION SHEET 408-8674 AVAILABLE FOR DOWNLOAD AT
www.tycoelectronics.com/documents OR
www.ampnetconnect.com/foguide.



	3.0mm, BLACK	5504657-9
	3.0mm, AQUA	5504657-8
5 4 2	NONE	5504657-7
4 2	NONE	5504657-6
	3.0mm & 900um, BEIGE	5504657-5
4	3.0mm, BEIGE	5504657-4
2	NONE	5504657-3
2	3.0mm, BEIGE	5504657-2
	3.0mm, BEIGE	5504657-1
	BOOT	PART NUMBER

THIS DRAWING IS A CONTROLLED DOCUMENT FOR TYCO ELECTRONICS CORPORATION. IT IS SUBJECT TO CHANGE AND THE CONTROLLING ENGINEERING ORGANIZATION SHOULD BE CONTACTED FOR THE LATEST REVISION.

DIMENSIONS:	TOLERANCES UNLESS OTHERWISE SPECIFIED:	DWN	B. BRIGGS	14 JUL 2005	Tyco Electronics Harrisburg, PA 17105-3608	
mm	0 PLC ±	CHK	S. MILLER	14 JUL 2005		
	1 PLC ±	APVD	S. BUCHTER	14 JUL 2005		
	2 PLC ±	PRODUCT SPEC				
	3 PLC ±	APPLICATION SPEC				
	4 PLC ±	WEIGHT			NAME	AMP SC, MULTIMODE CONNECTOR KIT, 900um AND 3.0mm
	ANGLES ±				SIZE	A200779
	FINISH				CAGE CODE	C-5504657
MATERIAL					DRAWING NO	
					RESTRICTED TO	
					SCALE	3:1
					SHEET	1 OF 1
					REV	BI

CUSTOMER DRAWING